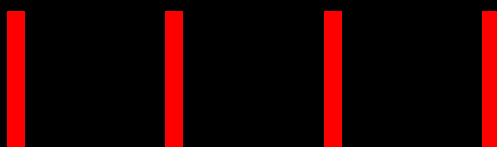
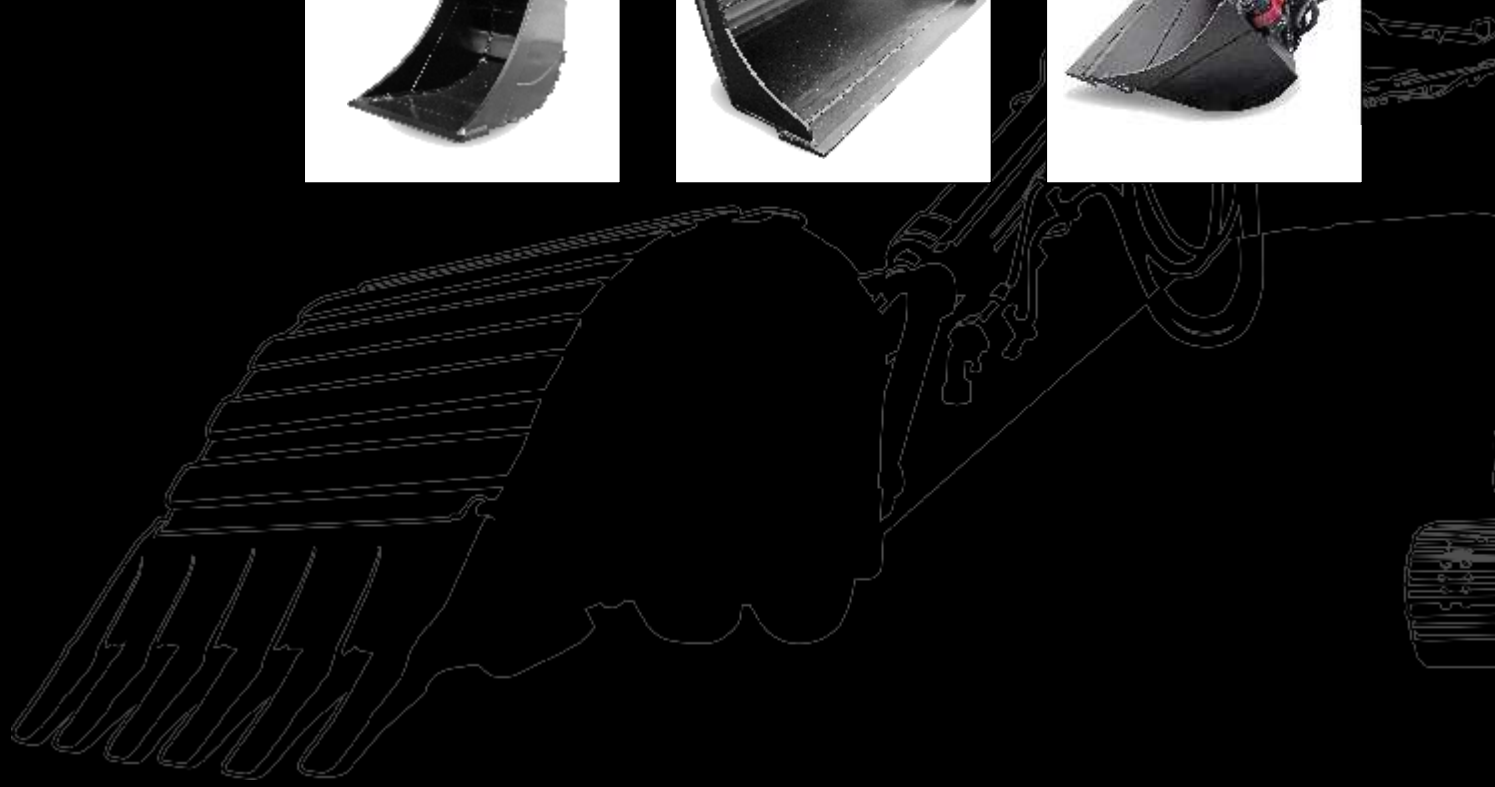
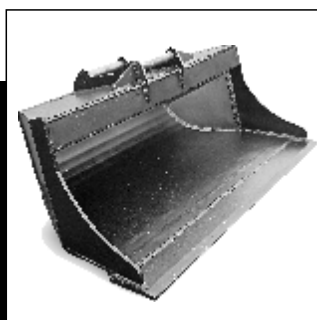




GLINKOWSKI

CATALOGUE OF BUCKETS

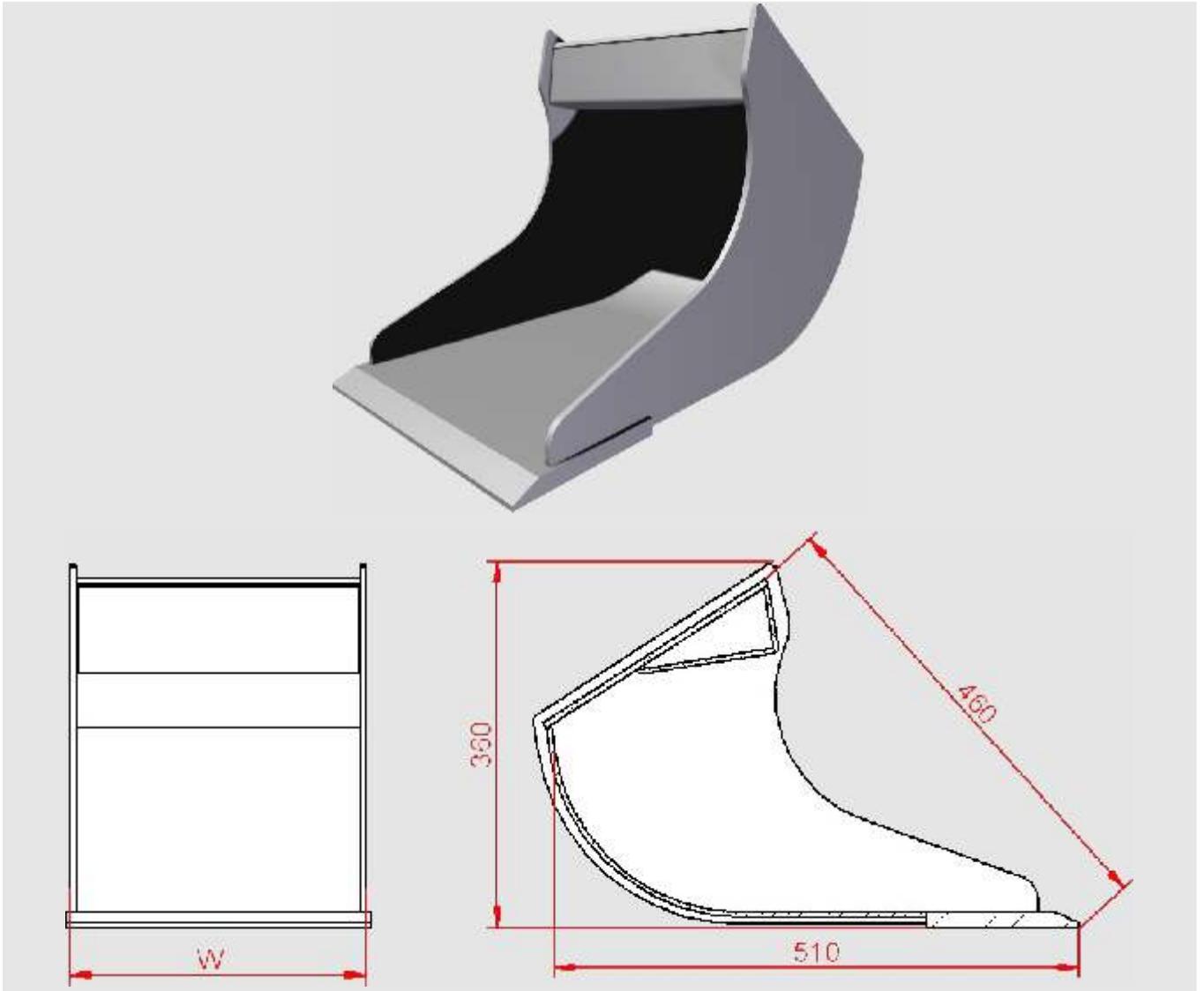




KSL1- L.....3
 GSL1.....4
 TPSL1.....5
 Spare parts for tilt bucket type TPSL1.....6
 KSL2-L.....7
 GSL2.....8
 TRS2.....9
 TPSL2.....10
 Spare parts fot tilt bucket type TPSL2.....11
 KSL4-L.....12
 GSL4.....13
 TPSL4.....14
 Spare parts fot tilt bucket type TPSL4.....15
 TRS4.....16
 SPS4.....17
 KSL7-L.....18
 GSL7-L.....19
 TPSL7.....20
 Spare parts fot tilt bucket type TPSL7.....21
 TRS7.....22
 SPST7.....23
 PS7.....24
 PFS7.....25
 PG7.....26
 KS14-L.....27
 GS14-L.....28
 GRT14T.....29
 TRS14.....30
 PS14.....31
 PG14T.....32
 SPS14.....33
 KS18-L.....34
 GS18-L.....35
 TPS18.....36
 Spare parts for tilt bucket type TPS18.....37
 TRS18.....38
 SPS18.....39
 KS25.....40
 GS25.....41
 GRT25T.....42
 TPSL25.....43
 Spare parts fot tilt bucket type TPSL25.....44
 TPS25-HD.....45
 Spare parts fot tilt bucket type TPS25-HD.....46
 TRS25.....47
 SPS25.....48
 PS25.....49
 PG25T.....50
 TPS30-HD.....51
 Spare parts fot tilt bucket type TPS30-HD.....52
 KS35.....53
 GS35.....54
 TPS35-HD.....55
 Spare parts fot tilt bucket type TPS35-HD.....56
 TRS35.....57
 SPS35.....58
 PFS35.....59
 KS50.....60
 GS50.....61
 TPS50-L.....62
 Spare parts fot tilt bucket type TPS50-L.....63
 GRT50T.....64
 GS80.....65
 Mechanic Quick Hitch Connectors for Excavator.....67
 Hydraulic Quick Hitch Connectors for Excavator.....68
 MA Series QCB.....69
 Symmetrical QCB.....70
 CW Series QCB.....71
 Half Arrow.....72
 Blades.....73
 CAT J-series Teeth.....74
 CAT J-series Pin and Retainer.....75
 CAT J-series Adapters.....76
 Combi Parts Teeth.....77
 Combi Parts Adapters and C-Lock.....78
 Combi Parts Teeth C-REX.....79
 Combi Parts Adapters C-REX.....80

KSL1-L

0,8t-1,4t

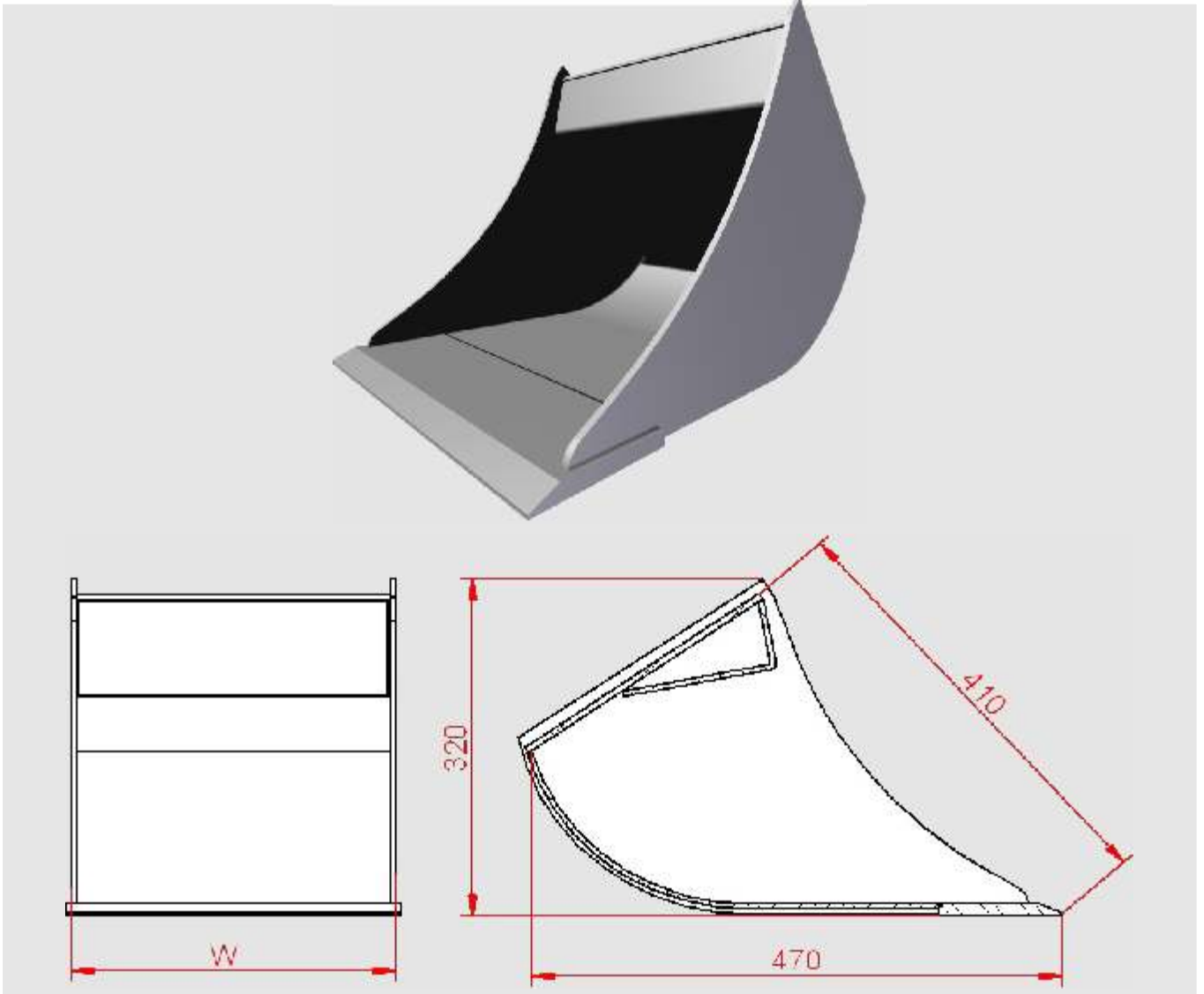


Tradename	Width	Weight	Volume	Price
	(mm)	(kg)	(liters)	DKK
BU-KSL1-300-L	300	28	31	1509
BU-KSL1-400-L	400	34	45	1615
BU-KSL1-500-L	500	40	59	1722
BU-KSL1-600-L	600	46	73	1829

Weight includes QCB-MH30-195-b

GSL1

0,8t-1,4t

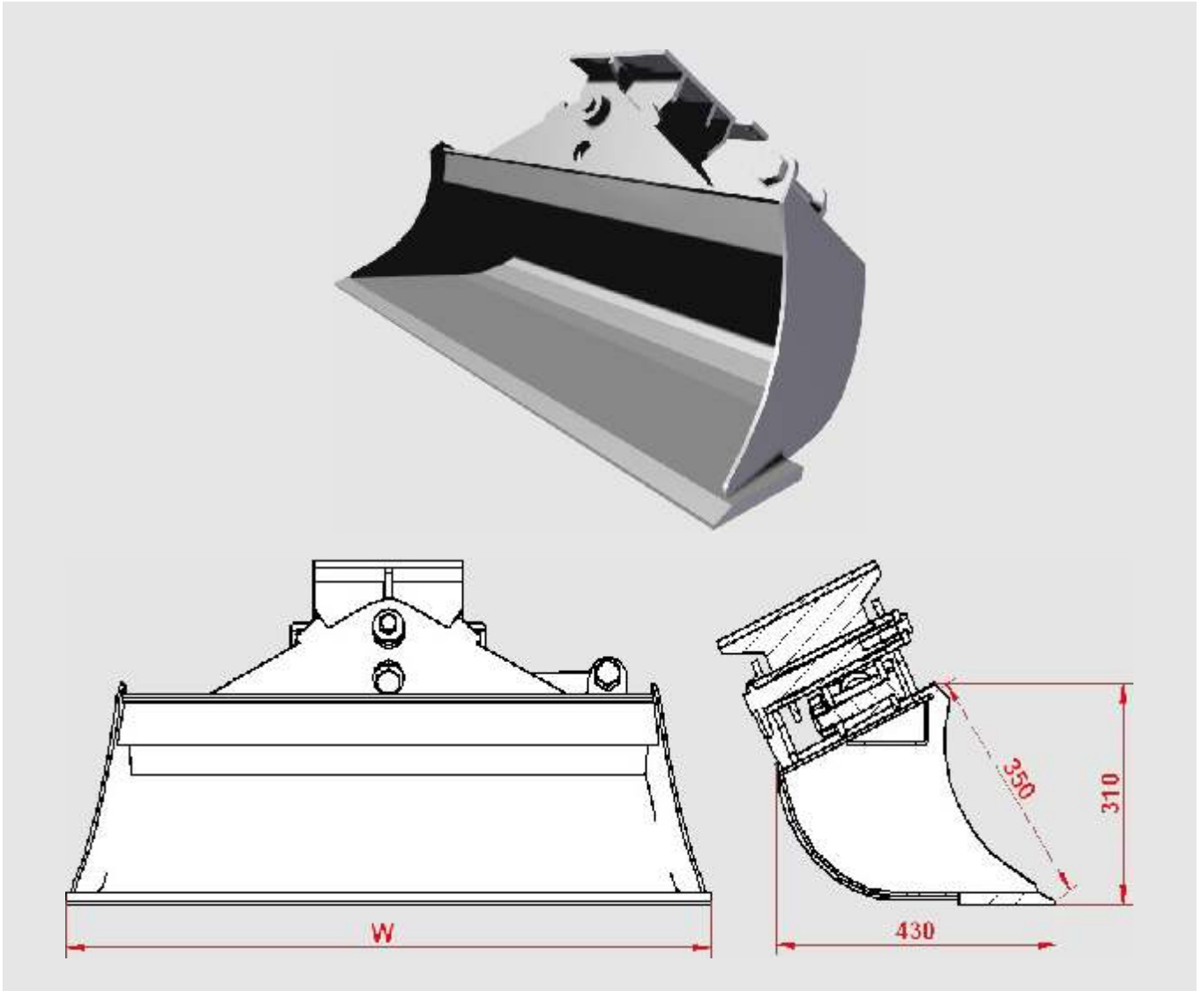


Tradename	Width	Weight	Volume	Price
	(mm)	(kg)	(liters)	DKK
BU-GSL1-300	300	25	26	1428
BU-GSL1-400	400	30	36	1535
BU-GSL1-500	500	35	47	1642
BU-GSL1-600	600	40	58	1749
BU-GSL1-700	700	45	69	1856
BU-GSL1-800	800	50	80	1962

Weight includes QCB-MH30-195-b

TPSL1

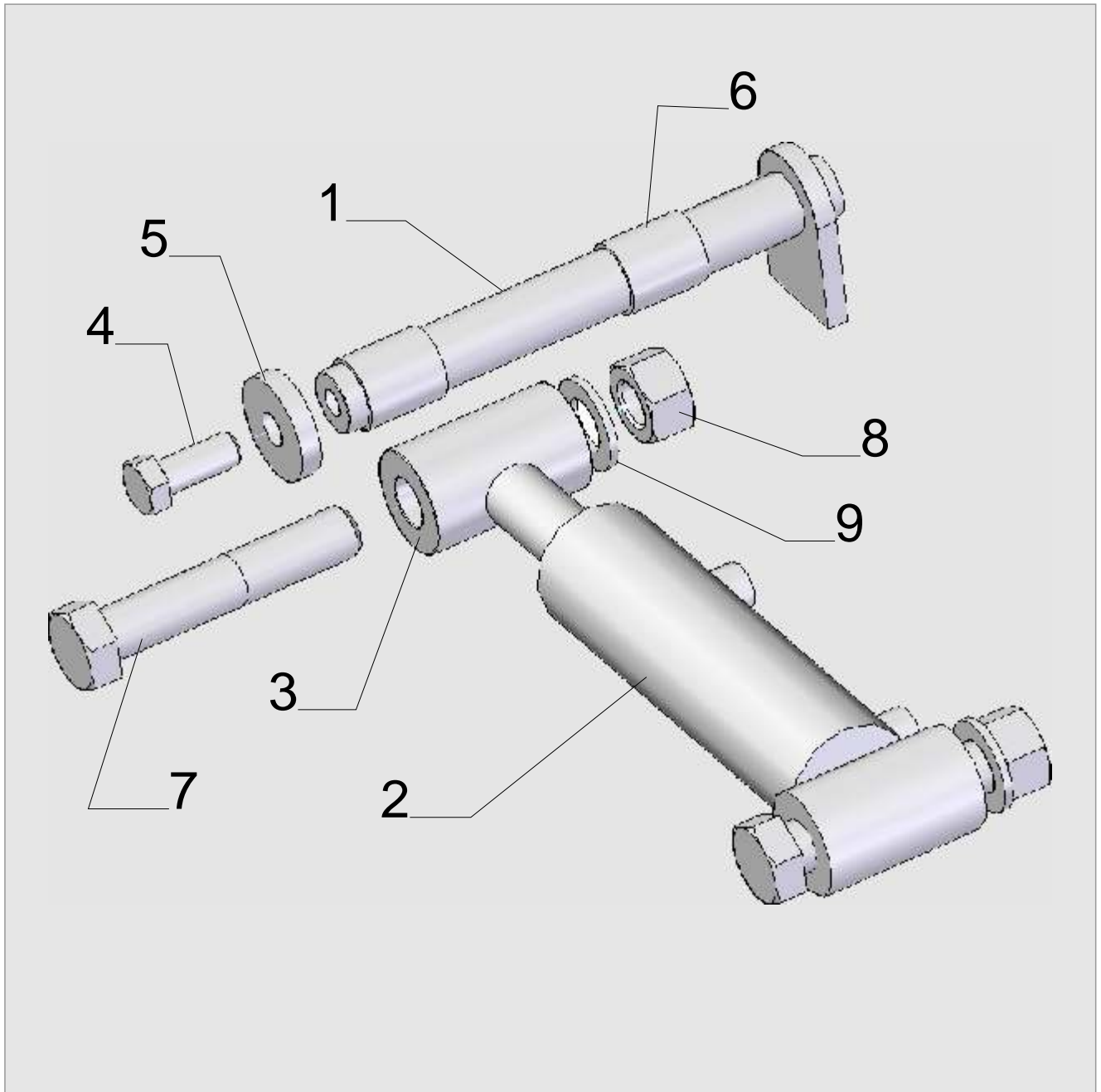
0,8t-1,4t



Tradename	Width	Weight	Volume	Price
	(mm)	(kg)	(liters)	DKK
BU-TPSL1-1000 1cyl	1000	85	82	6021
BU-TPSL1-1100 1cyl	1100	90	90	6288
BU-TPSL1-1200 1cyl	1200	95	100	6555

Weight includes QCB-MH30-195-b

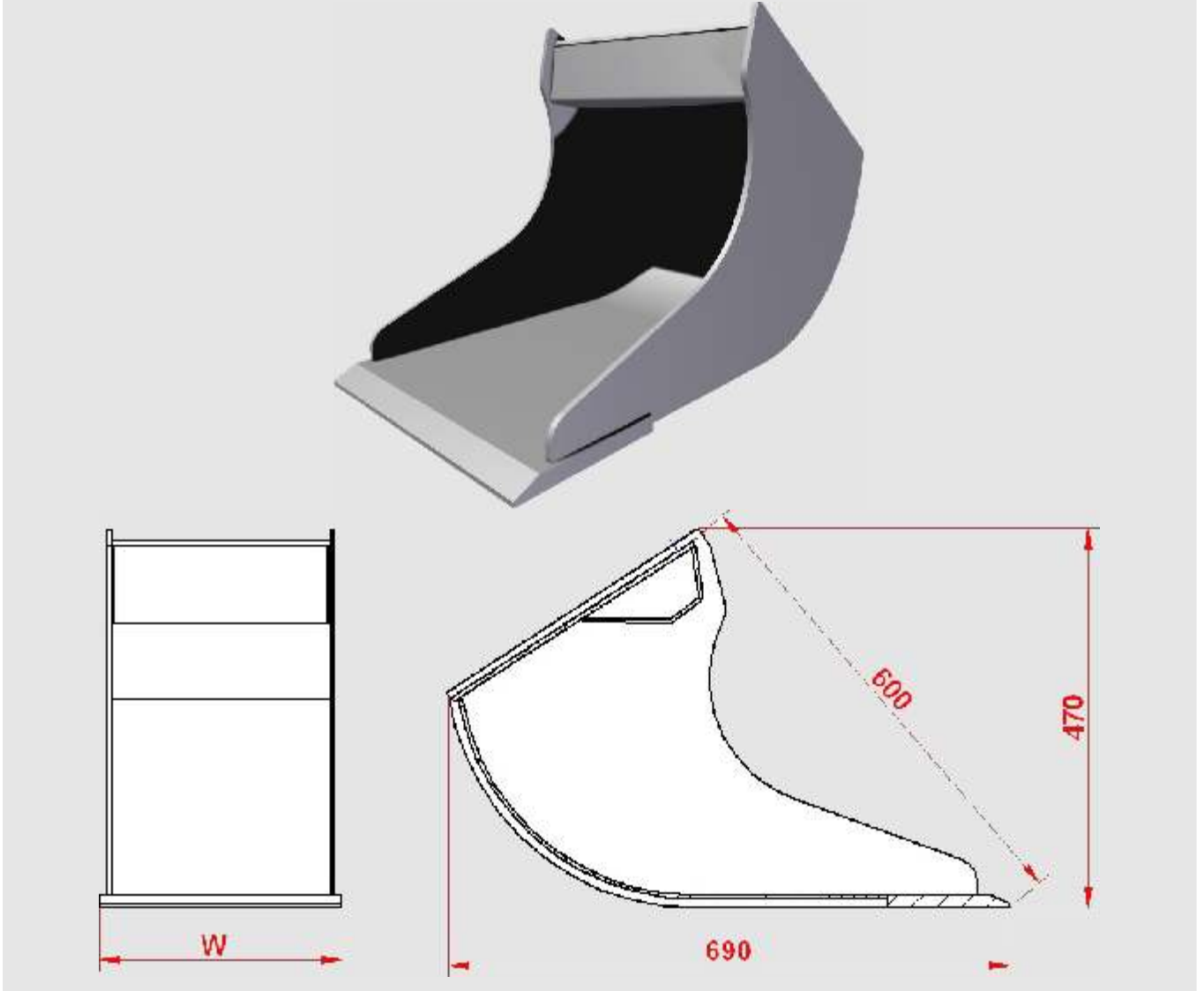
Spare parts for tilt bucket type TPSL1



Pos.	Part number	Designation	Quantity
1	BU-SW-30x255-M16	Main shaft	1
2	BU-SIL-HYD-DW-OB-30-50-100	Cylinder 30-50-100	1
3	BU-TUL-50/24-80	Ear of the cylinder	2
4	M16x40	Bolt M16x40	1
5	BU-POD-50/18,5-10	Washer 50/18,5-10	1
6	BU-TUL-WYS-30x40x40 B3	Bushing 30x40x40 B3	2
7	M24x130	Bolt M24x130	2
8	NAK-M24	Cap M24	2
9	POD-M24	Washer M24	2

KSL2-L

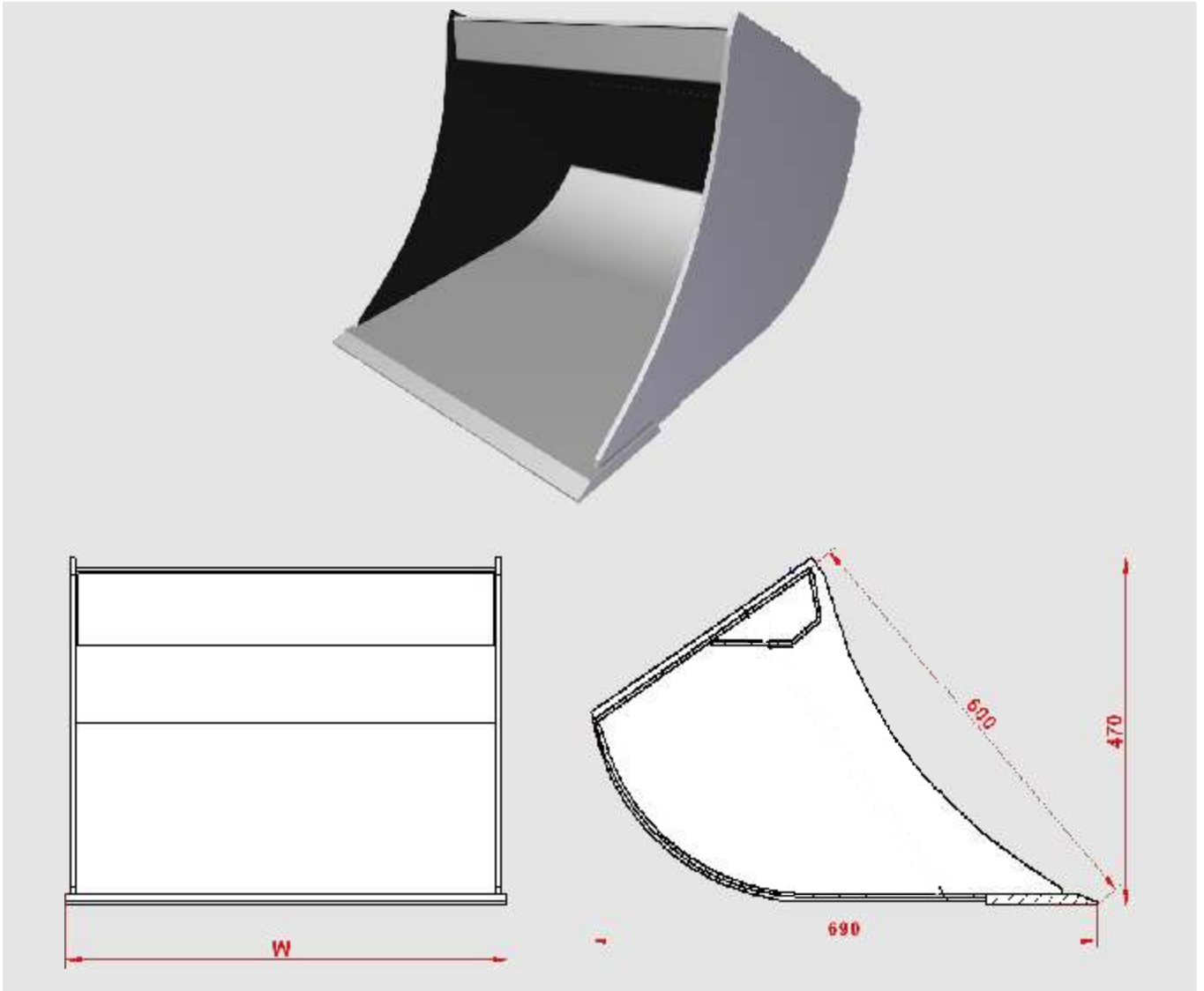
1,5t-3t



Tradename	Width	Weight	Volume	Price
	(mm)	(kg)	(liters)	DKK
BU-KSL2-300-L	300	37	51	1776
BU-KSL2-400-L	400	42	73	1896
BU-KSL2-500-L	500	47	96	2016
BU-KSL2-600-L	600	52	120	2136

Weight includes QCB-MH30-195-b

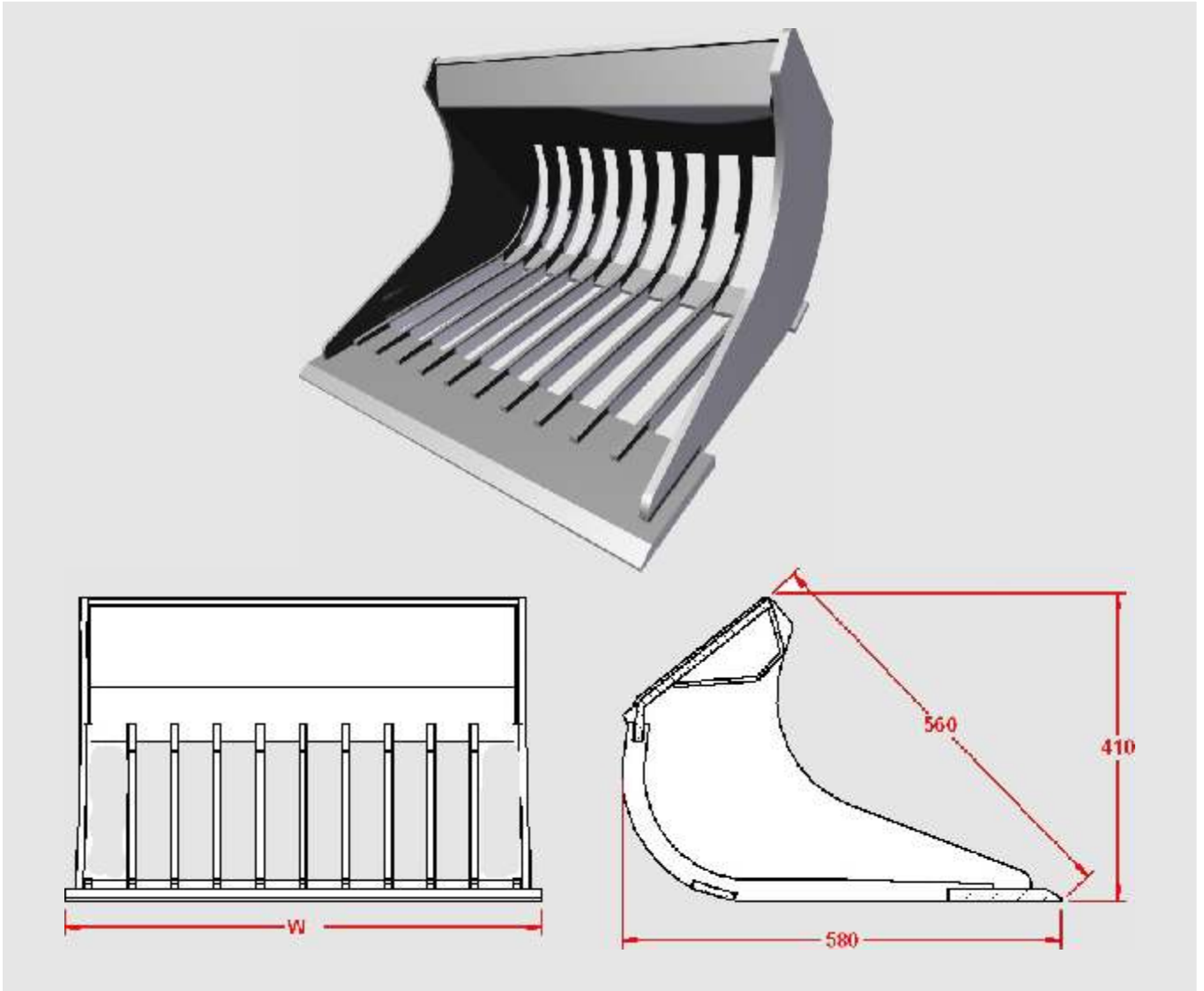
GSL2 1,5t-3t



Tradename	Width	Weight	Volume	Price
	(mm)	(kg)	(liters)	DKK
BU-GSL2-300	300	44	73	2203
BU-GSL2-400	400	50	97	2323
BU-GSL2-500	500	56	47	2443
BU-GSL2-600	600	62	121	2563
BU-GSL2-700	700	68	145	2683
BU-GSL2-800	800	74	170	2804

Weight includes QCB-MH30-195-b

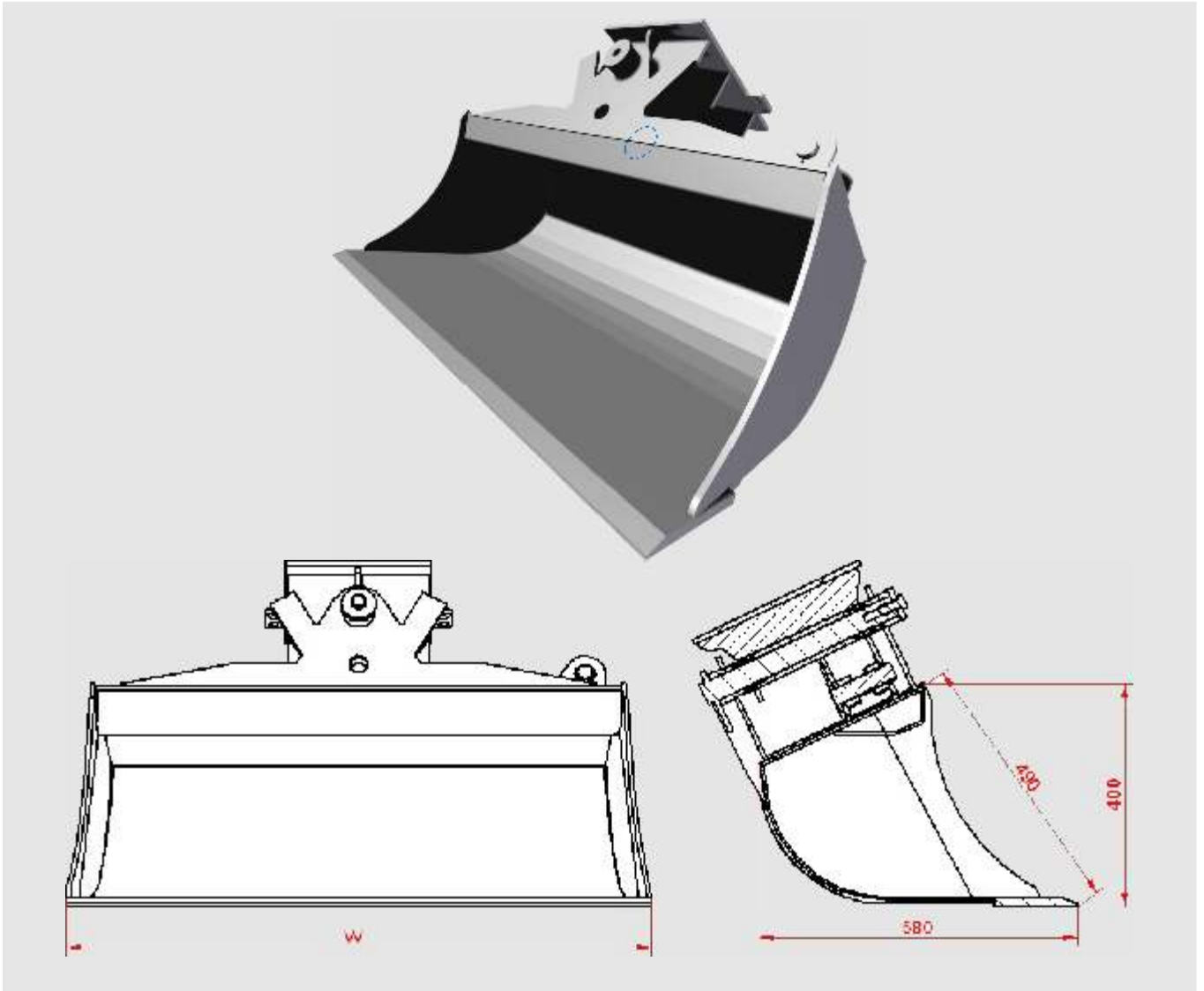
TRS2 1,5t-3t



Tradename	Width	Weight	Volume	Price
	(mm)	(kg)	(liters)	DKK
BU-TRS2-600	600	65	88	3071
BU-TRS2-800	800	70	124	4005

Weight includes QCB-MH30-195-b

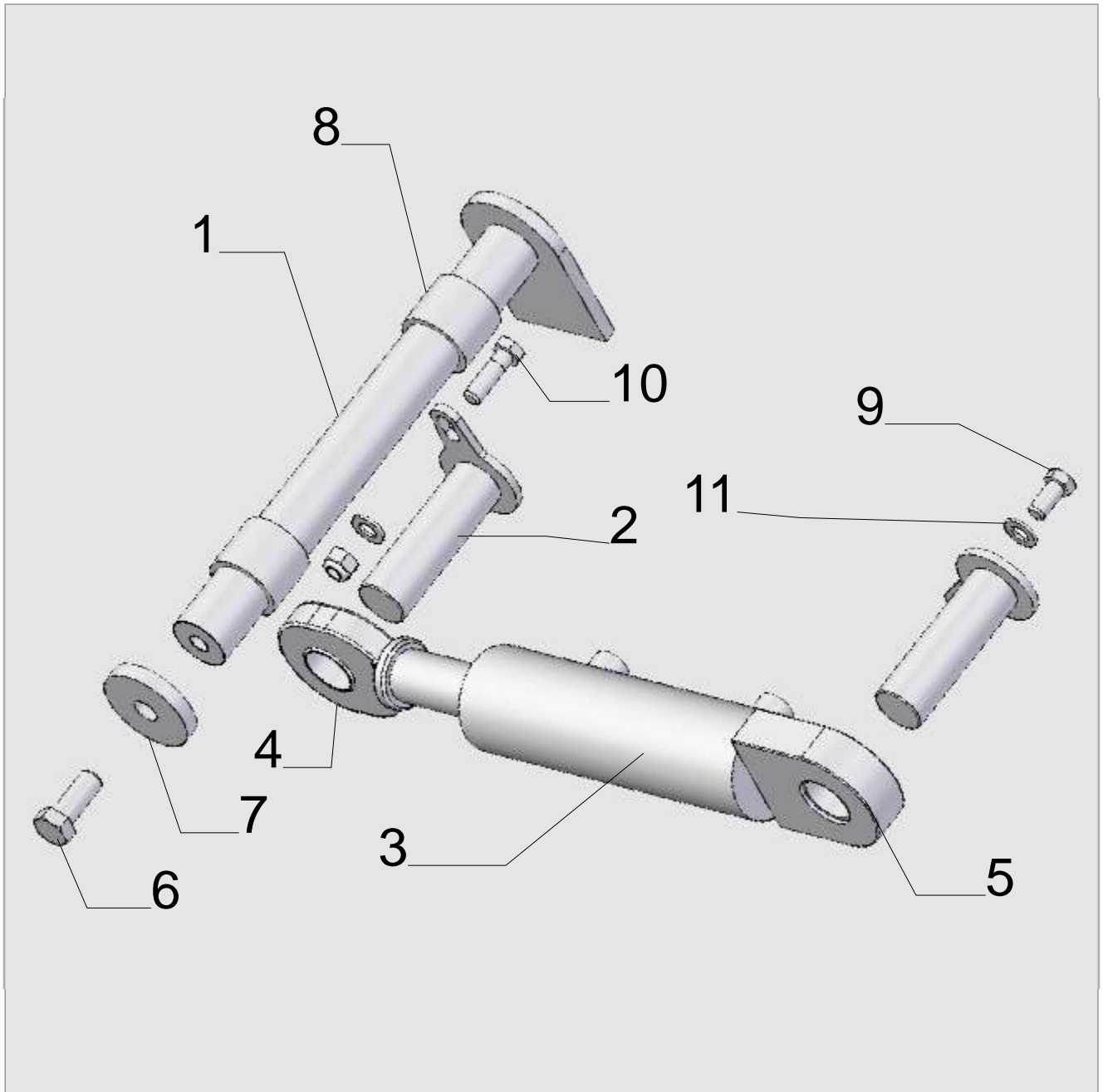
TPSL2 1,5t-3t



Tradename	Width	Weight	Volume	Price
	(mm)	(kg)	(liters)	DKK
BU-TPSL2-1100 1cyl	1100	115	160	8971
BU-TPSL2-1200 1cyl	1200	125	175	9238
BU-TPSL2-1300 1cyl	1300	135	192	9879
BU-TPSL2-1400 1cyl	1400	145	210	10520

Weight includes QCB-MH30-195-b

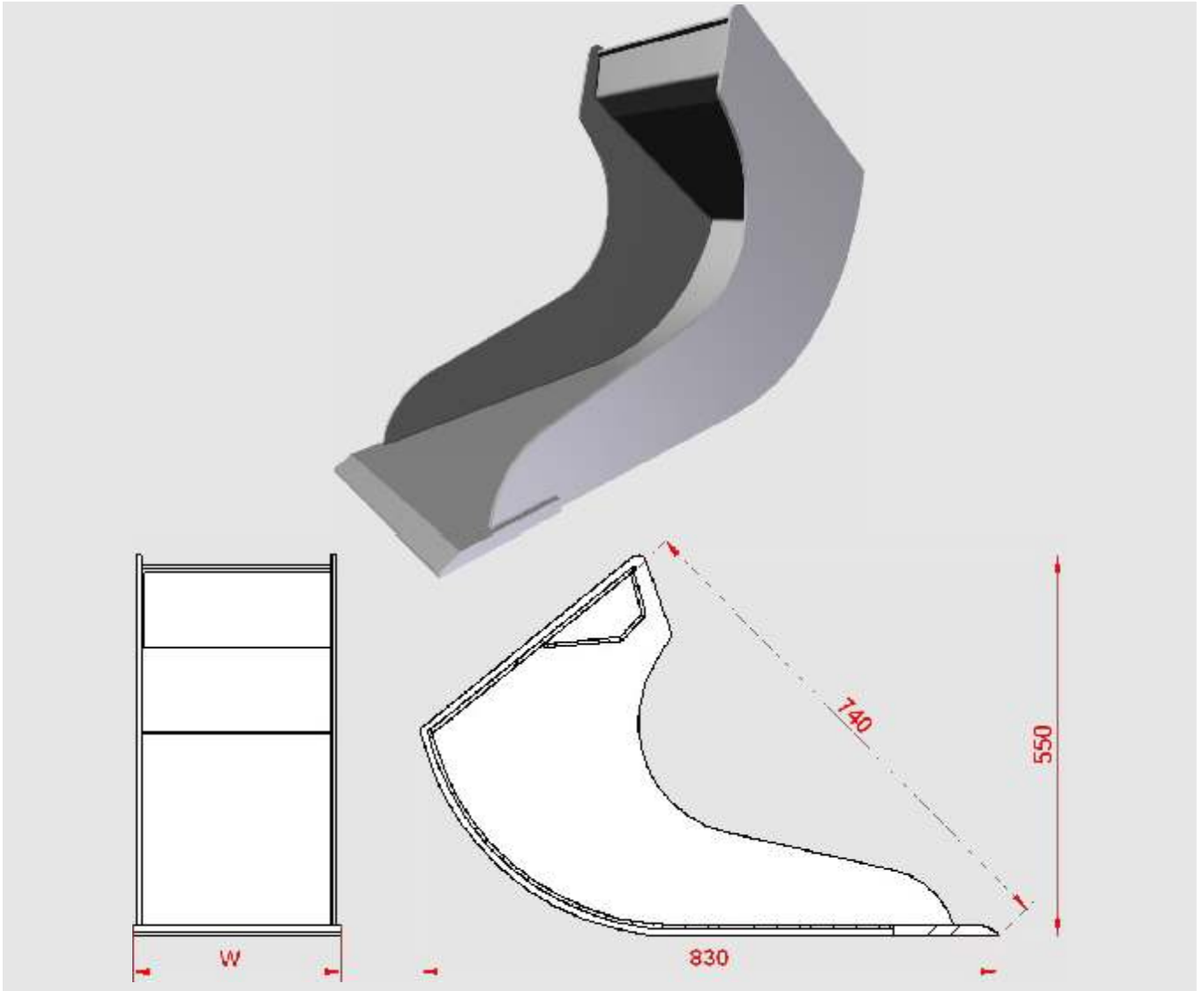
Spare parts for tilt bucket type TPSL2



Pos.	Part number	Designation	Quantity
1	BU-SW-40360-M16	Main shaft	1
2	BU-SW-35112	Cylinder shaft	2
3	BU-SIL-HYD-DW-OB-35-60-100	Cylinder 35-60-100	1
4	BU-UCHO-SIL-GK35-GR	Ear of the cylinder	1
5	BU-UCHO-SIL-GF35-GR	Ear of the cylinder	1
6	M16x40	Bolt M16x40	1
7	BU-POD-65/18,5-11	Washer 65/18,5-11	1
8	BU-TUL-40,3X50,18X40 B4	Bushing 40,3x50,18x40	2
9	M12x25	Bolt M12x25	1
10	M12x40	Bolt M12x40	1
11	POD-M12	Washer M12	2

KSL4-L

3,5t-4,5t

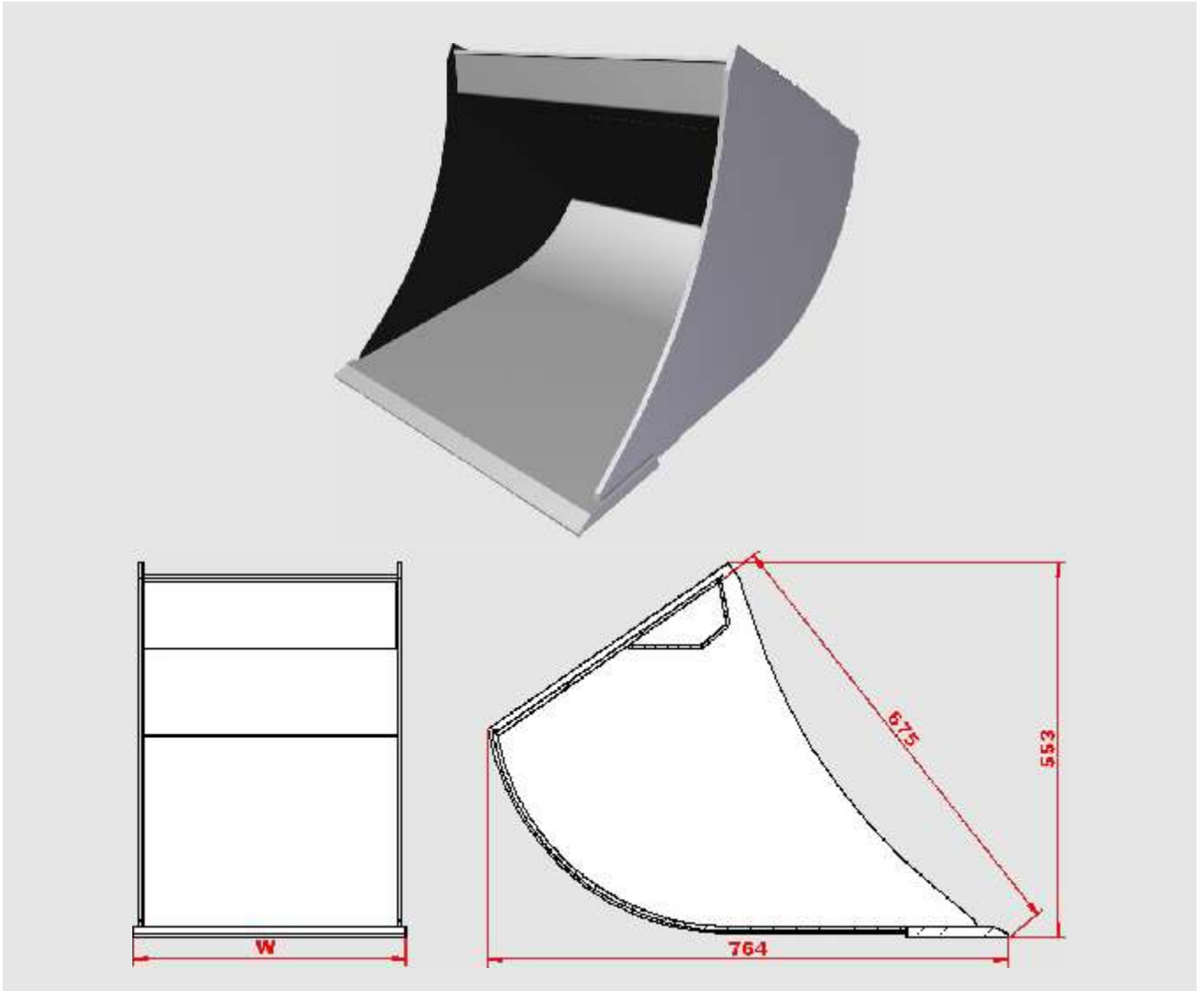


Tradename	Width	Weight	Volume	Price
	(mm)	(kg)	(liters)	DKK
BU-KSL4-300-L	300	52	70	2270
BU-KSL4-400-L	400	61	101	2430
BU-KSL4-500-L	500	70	133	2590
BU-KSL4-600-L	600	79	167	2750

Weight includes QCB-S40/200-b

GSL4

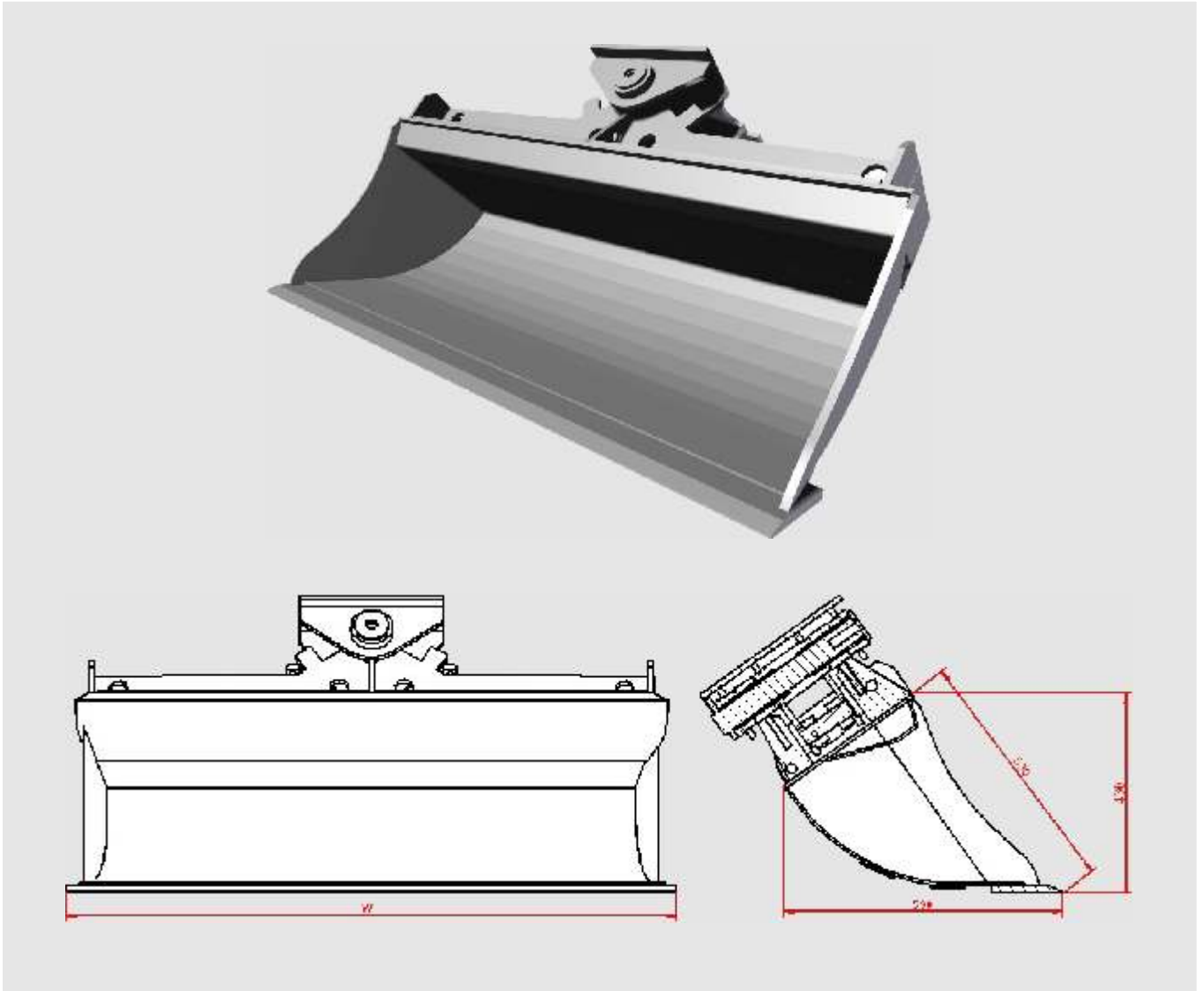
3,5t-4,5t



Tradename	Width	Weight	Volume	Price
	(mm)	(kg)	(liters)	DKK
BU-GSL4-300	300	54	67	2804
BU-GSL4-400	400	63	96	2964
BU-GSL4-500	500	72	126	3124
BU-GSL4-600	600	81	158	3284
BU-GSL4-700	700	90	489	3444
BU-GSL4-800	800	99	221	3605
BU-GSL4-1000	1000	117	285	3765

Weight includes QCB-S40/200-b

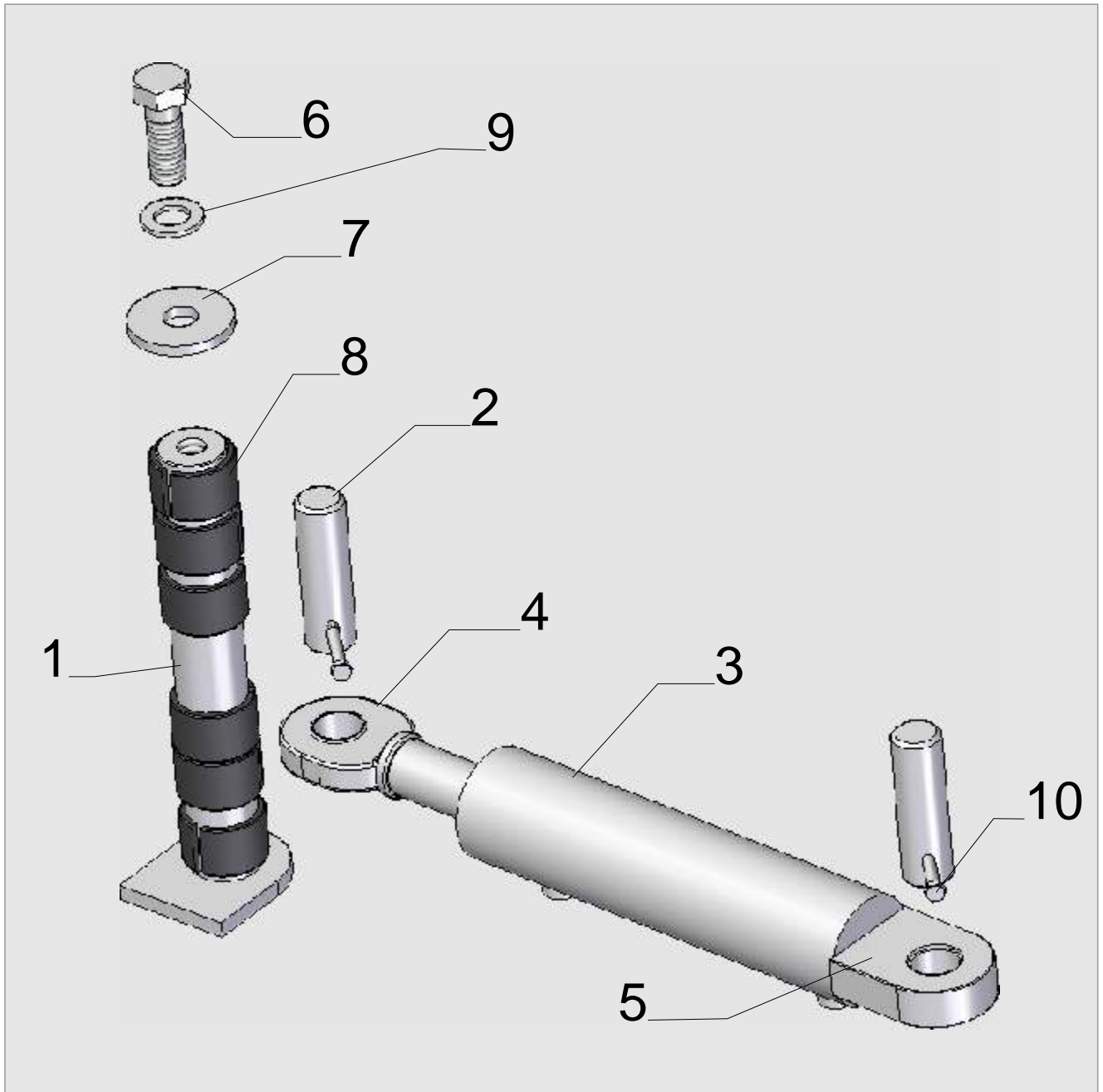
TPSL4 3,5t-4,5t



Tradename	Width	Weight	Volume	Price
	(mm)	(kg)	(liters)	DKK
BU-TPSL4-1300 1cyl	1300	195	212	12549
BU-TPSL4-1400 1cyl	1400	210	230	12763
BU-TPSL4-1500 1cyl	1500	225	248	13003

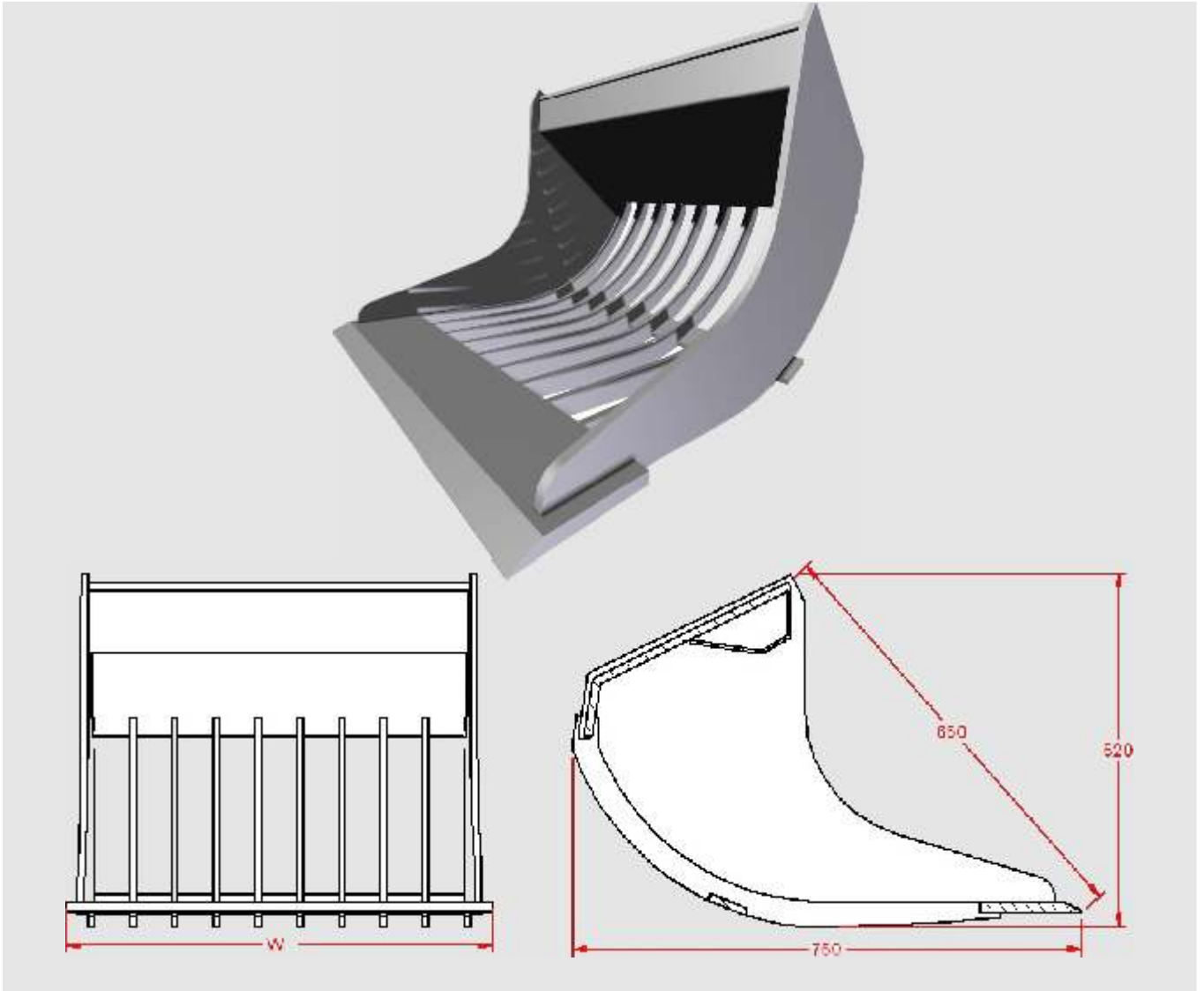
Weight includes QCB-S40/200-b

Spare parts for tilt bucket type TPSL4



Pos.	Part number	Designation	Quantity
1	BU-SW-50345-M24	Main shaft	1
2	BU-SW-35120-FI8	Cylinder shaft	2
3	BU-SIL-HYD-DW-OB-40-70-200	Cylinder 40-70-200	1
4	BU-UCHO-SIL-GK35-GR	Ear of the cylinder	1
5	BU-UCHO-SIL-GF35-GR	Ear of the cylinder	1
6	M24x70	Bolt M24x70	1
7	BU-POD-75/25,5-8	Washer 75/25,5-8	1
8	BU-TUL-50X60X40 B3	Bushing 50x60x40	6
9	POD-M24	Washer M24	1
10	M8x75	Bolt M8x75	2
	NAK-M8	Cap M8	2
	POD-M8	Washer M8	2

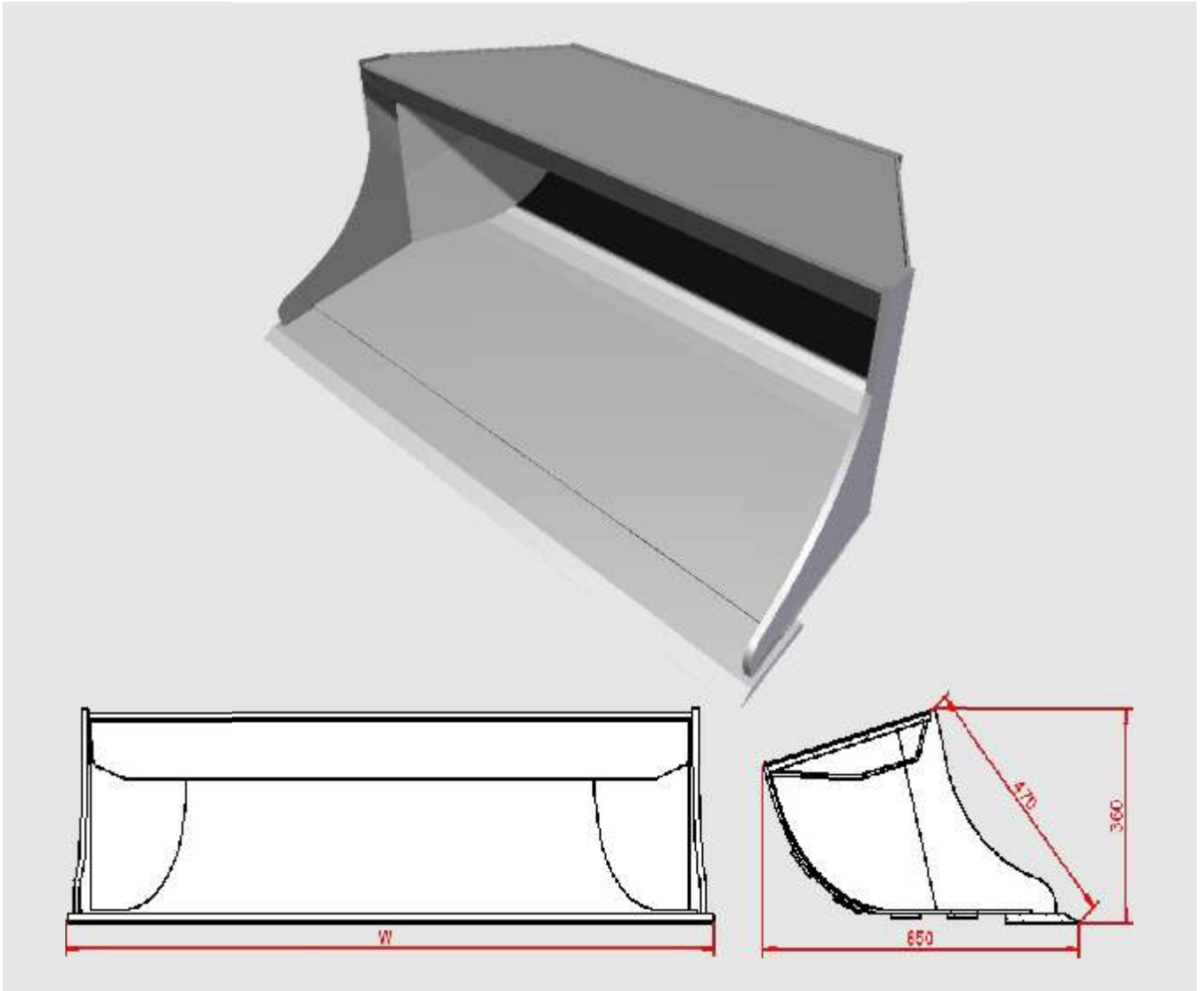
TRS4 3,5t-4,5t



Tradename	Width	Weight	Volume	Price
	(mm)	(kg)	(liters)	DKK
BU-TRS4-600	600	87	140	5527
BU-TRS4-800	800	100	197	6461

Weight includes QCB-S40/200-b

SPS4 3,5t-4,5t

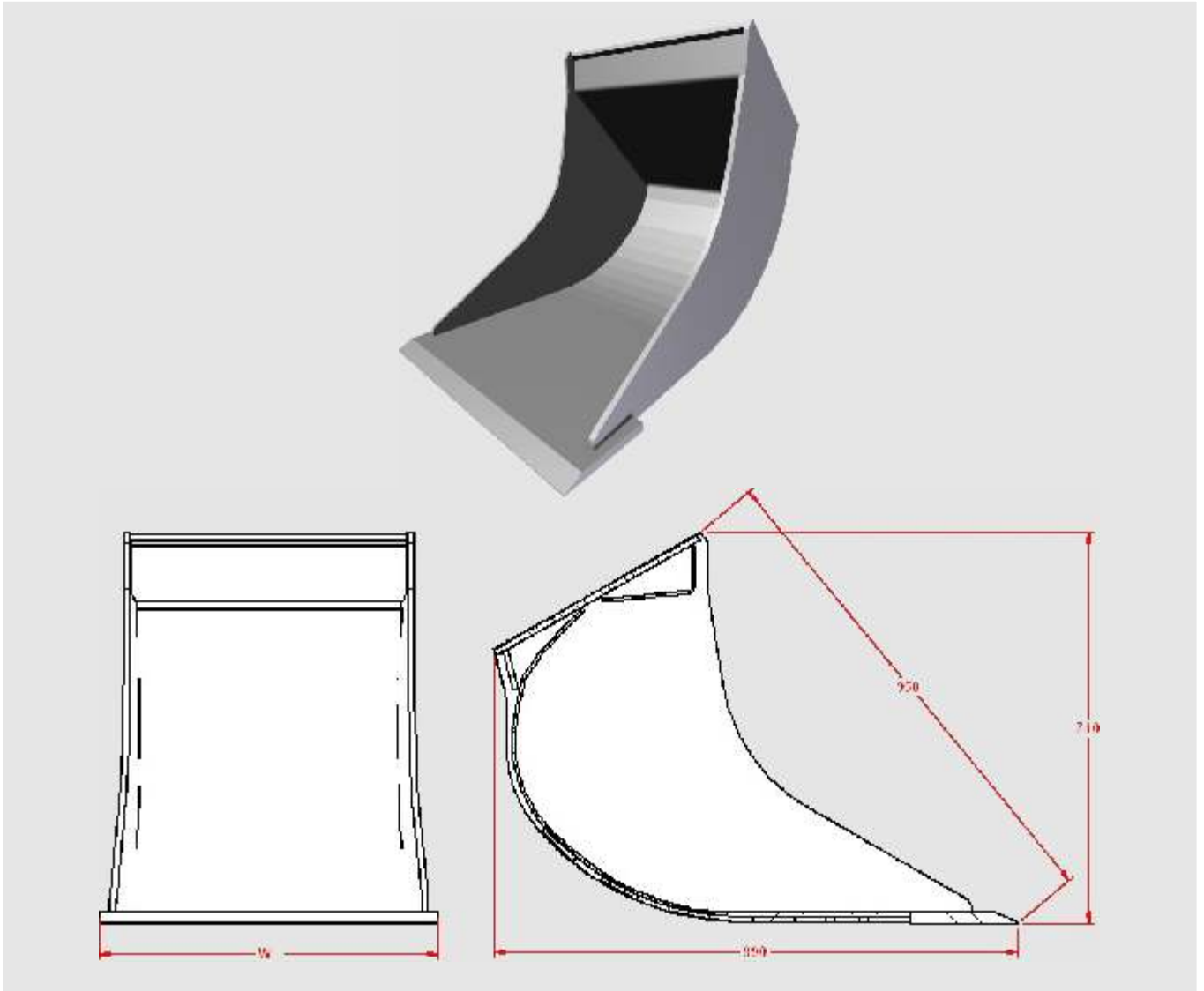


Tradename	Width	Weight	Volume	Price
	(mm)	(kg)	(liters)	DKK
BU-SPS4-1300	1300	143	190	7877

Weight includes QCB-S40/200-b

KSL7-L

5t-10t

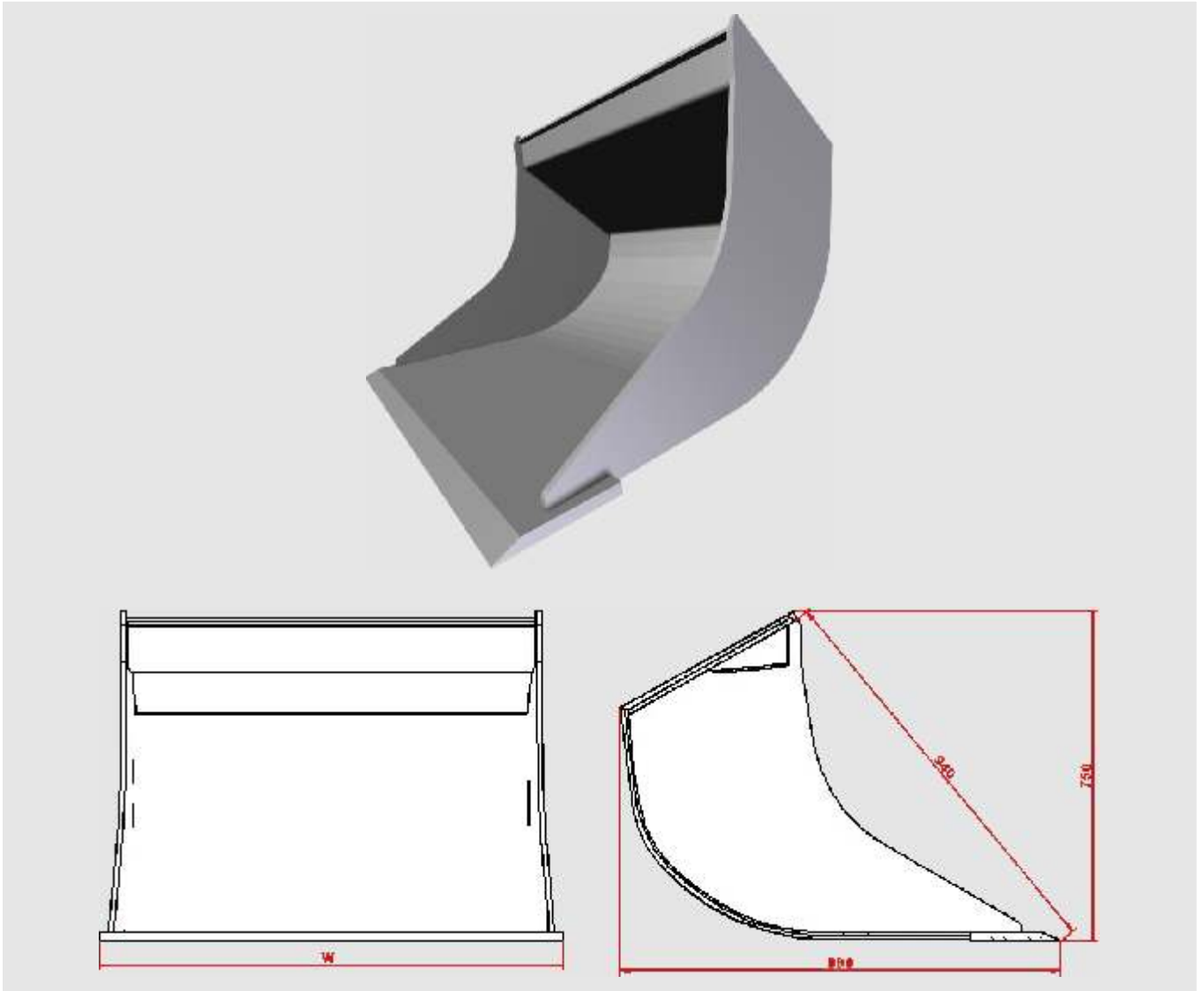


Tradename	Width	Weight	Volume	Price
	(mm)	(kg)	(liters)	DKK
BU-KSL7-300-L	300	126	142	3791
BU-KSL7-400-L	400	136	195	3992
BU-KSL7-500-L	500	146	250	4219
BU-KSL7-600-L	600	157	310	4446

Weight includes QCB-FL45/Hydrema

GSL7-L

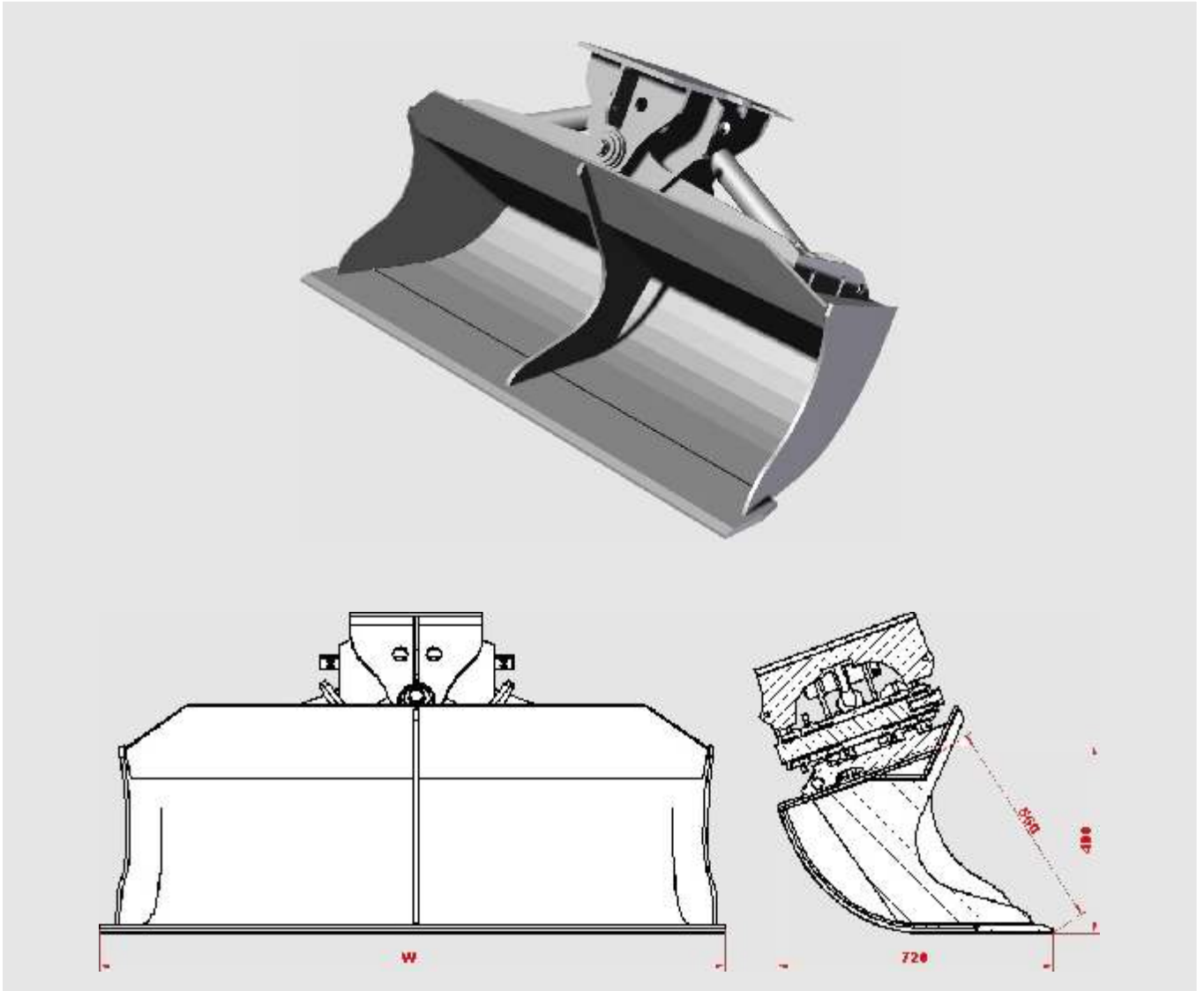
5t-10t



Tradename	Width	Weight	Volume	Price
	(mm)	(kg)	(liters)	DKK
BU-GSL7-400-L	400	147	160	4365
BU-GSL7-500-L	500	158	220	4566
BU-GSL7-600-L	600	169	275	4766
BU-GSL7-700-L	700	180	335	4966
BU-GSL7-800-L	800	191	385	5166
BU-GSL7-900-L	900	199	445	5367
BU-GSL7-1000-L	1000	213	505	5567

Weight includes QCB-FL45/Hydrema-b

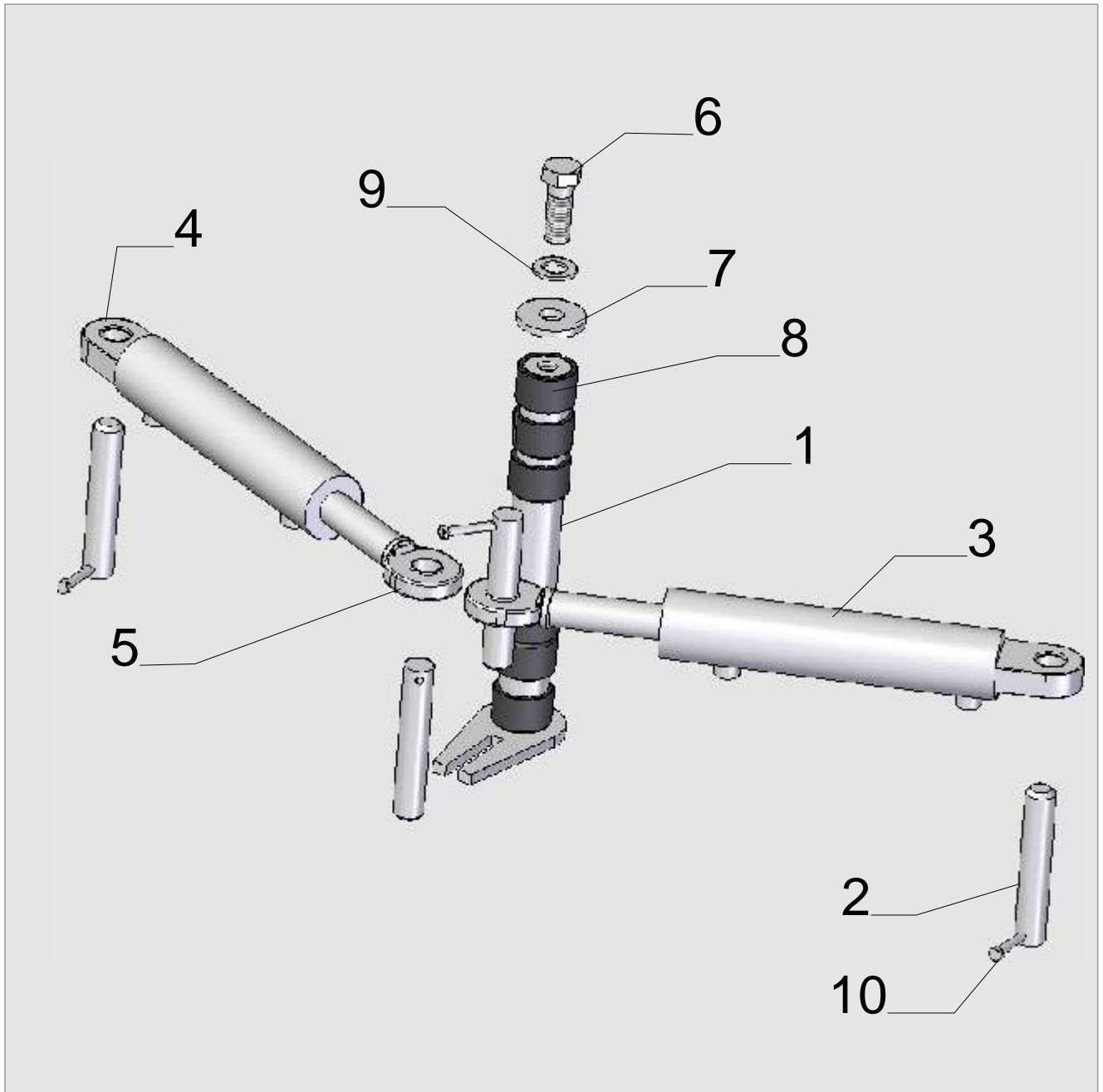
TPSL7 5t-10t



Tradename	Width	Weight	Volume	Price
	(mm)	(kg)	(liters)	DKK
BU-TPSL7-1500	1500	386	386	17315
BU-TPSL7-1600	1600	396	415	17448
BU-TPSL7-1700	1700	406	443	17582
BU-TPSL7-1800	1800	416	472	17715

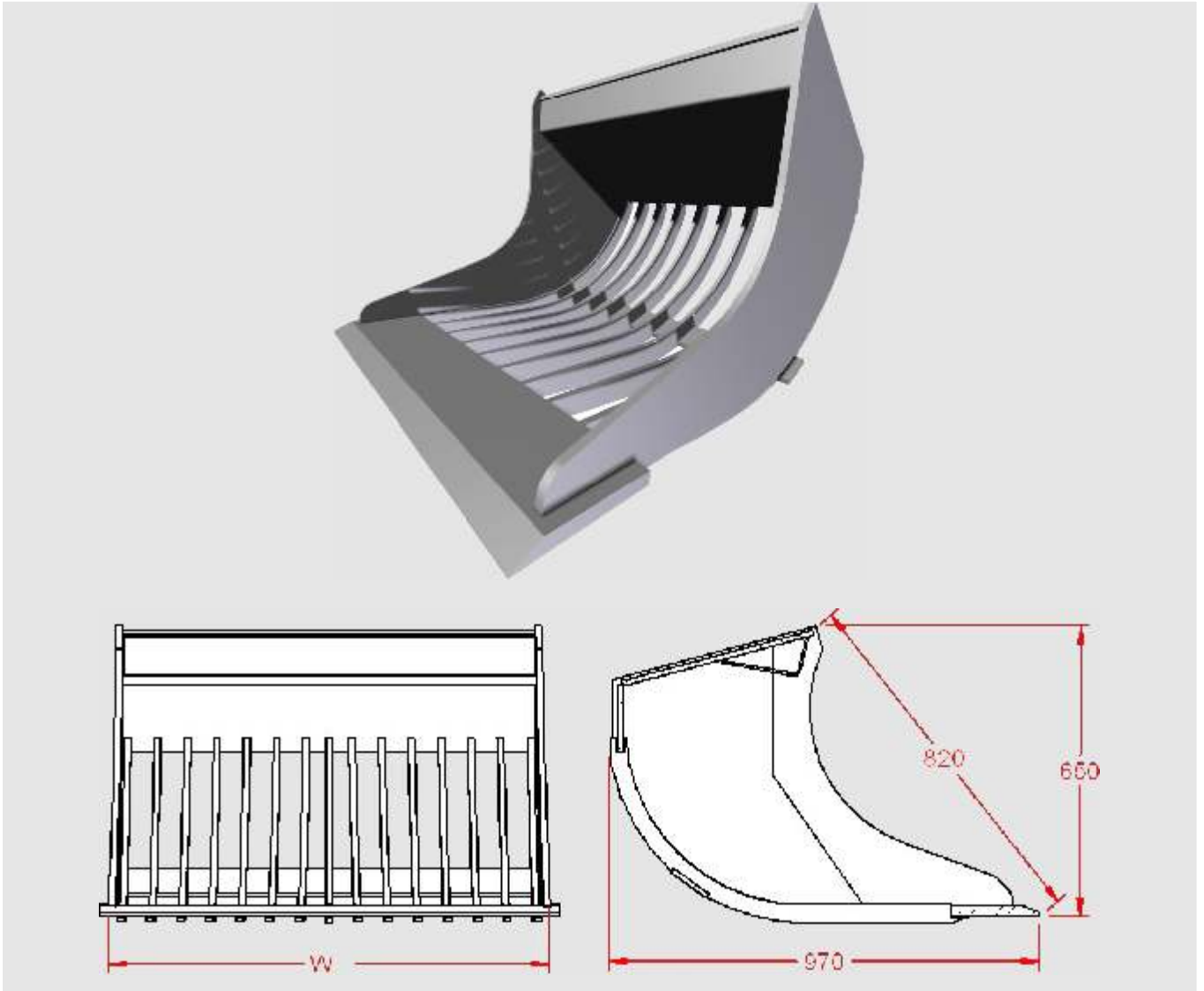
Weight includes QCB-FL45/Hydrema/TPS7

Spare parts for tilt bucket type TPSL7



Pos.	Part number	Designation	Quantity
1	BU-SW-50402-M24	Main shaft	1
2	BU-SW-30170-FI8	Cylinder shaft	4
3	BU-SIL-HYD-DW-OB-35-60-200	Cylinder 35-60-200	2
4	BU-UCHO-SIL-GK30-GR	Ear of the cylinder	2
5	BU-UCHO-SIL-GF30-GR	Ear of the cylinder	2
6	M24x70	Bolt M24x70	1
7	BU-POD-75/25,5-8	Washer 75/25,5-8	1
8	BU-TUL-50X60X40 B3	Bushing 50x60x40	6
9	POD-M24	Washer M24	1
10	M8x75	Bolt M8x75	4
	POD-M8	Washer M8	4
	NAK-M8	Cap M8	4

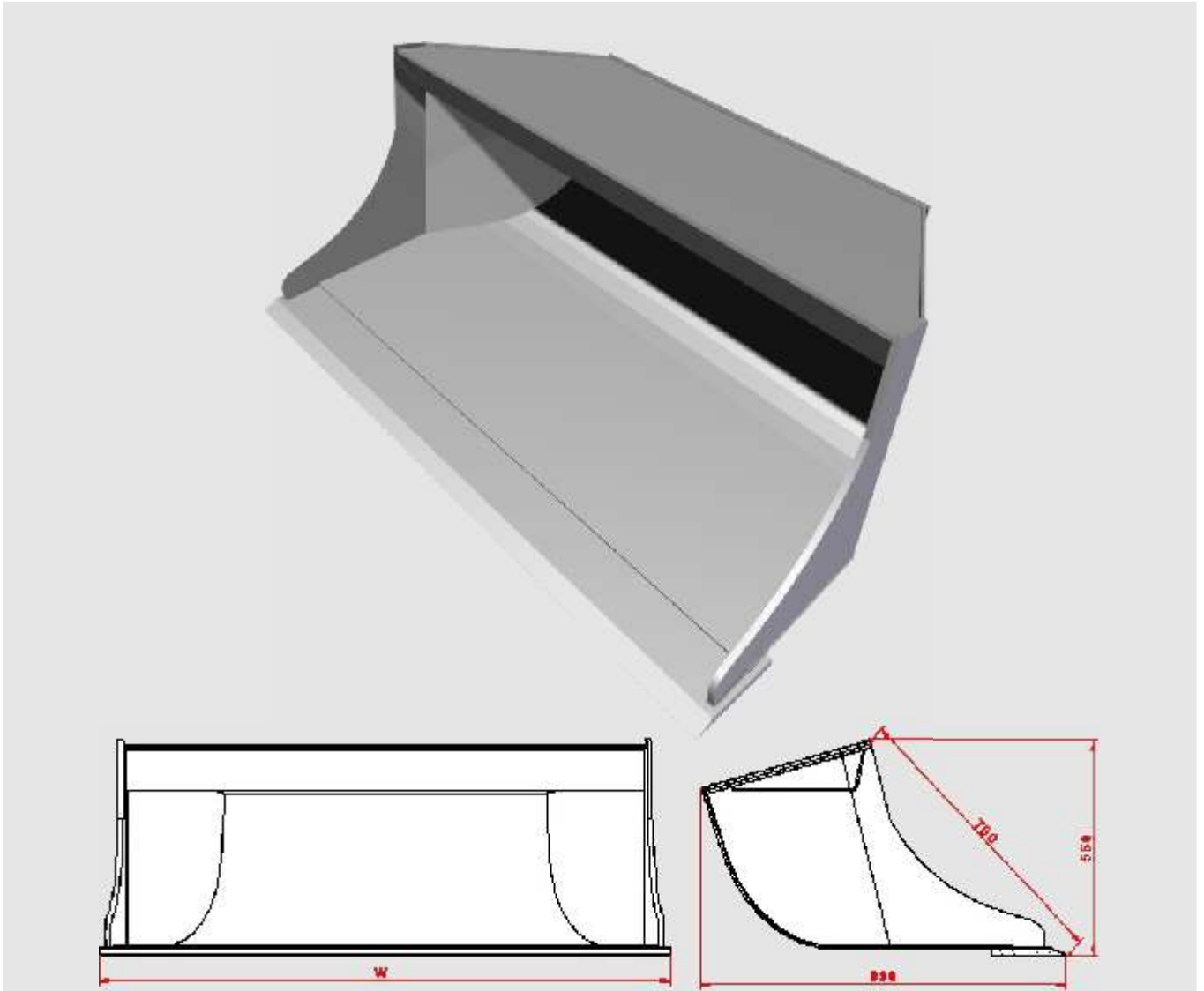
TRS7 5t-10t



Tradename	Width	Weight	Volume	Price
	(mm)	(kg)	(liters)	DKK
BU-TRS7-800	800	207	340	16140
BU-TRS7-900	900	232	390	16287
BU-TRS7-1000	1000	257	440	16581
BU-TRS7-1200	1200	307	540	17021

Weight includes QCB-FL45/Hydrema

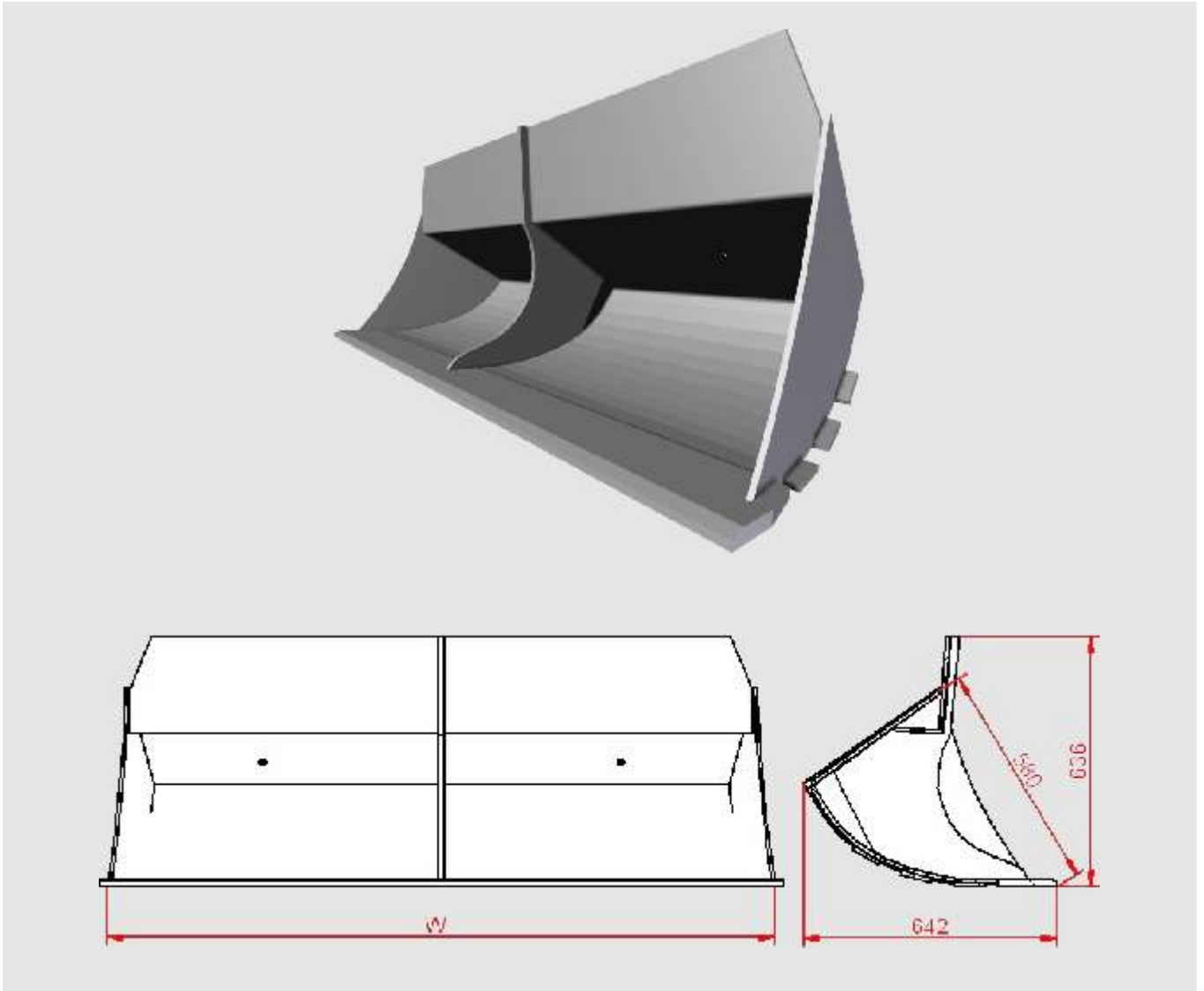
SPSL7 5t-10t



Tradename	Width	Weight	Volume	Price
	(mm)	(kg)	(liters)	DKK
BU-SPSL7-1500	1500	247	530	10480
BU-SPSL7-1600	1600	262	570	10907
BU-SPSL7-1700	1700	277	610	11334
BU-SPSL7-1800	1800	292	650	11761

Weight includes QCB-FL45/Hydrema

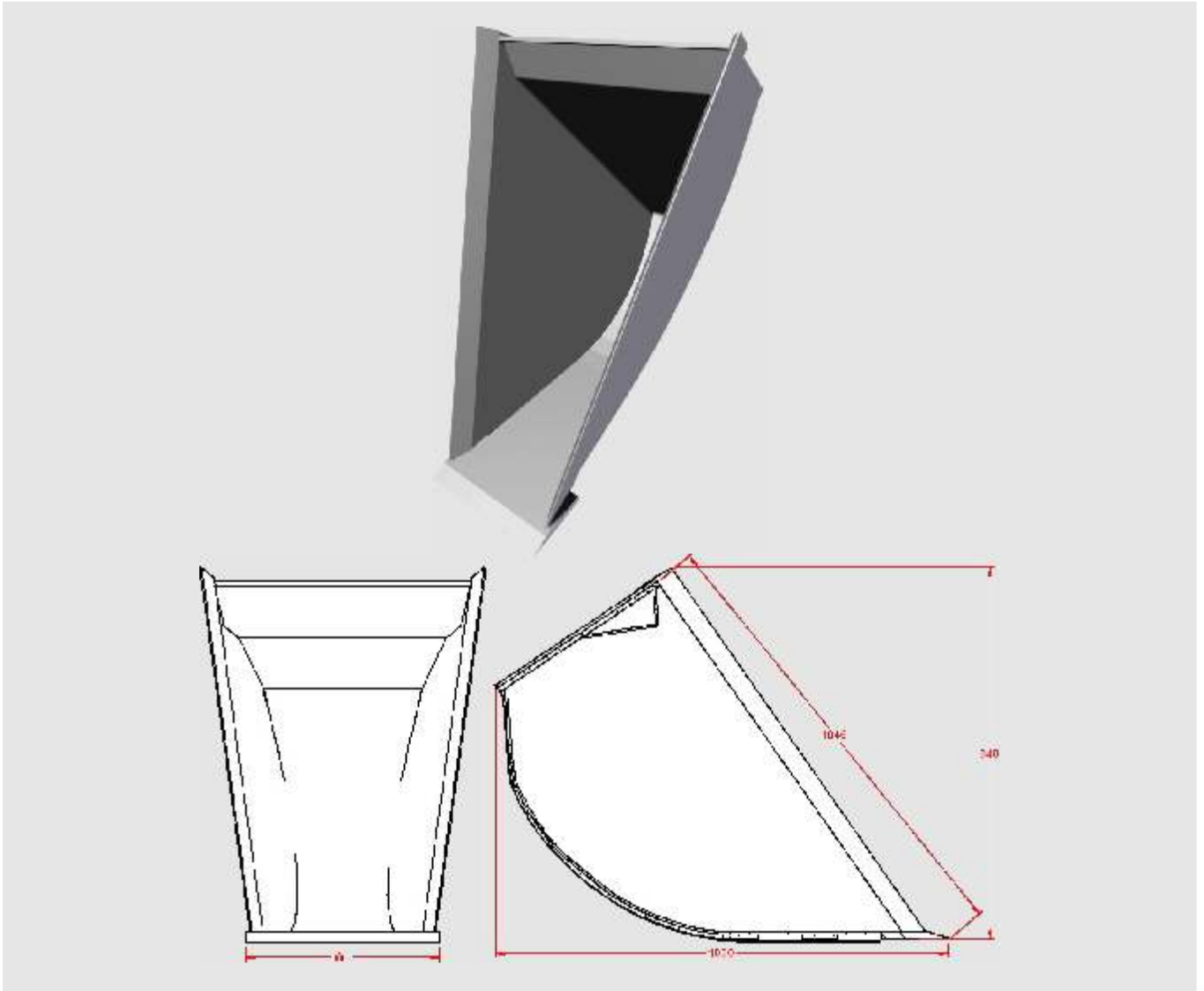
PS7 5t-10t



Tradename	Width	Weight	Volume	Price
	(mm)	(kg)	(liters)	DKK
BU-PS7-1500	1500	283	313	11294
BU-PS7-1600	1600	298	336	11695
BU-PS7-1700	1700	313	360	12095
BU-PS7-1800	1800	328	383	12496

Weight includes QCB-FL45/Hydrema/PS7

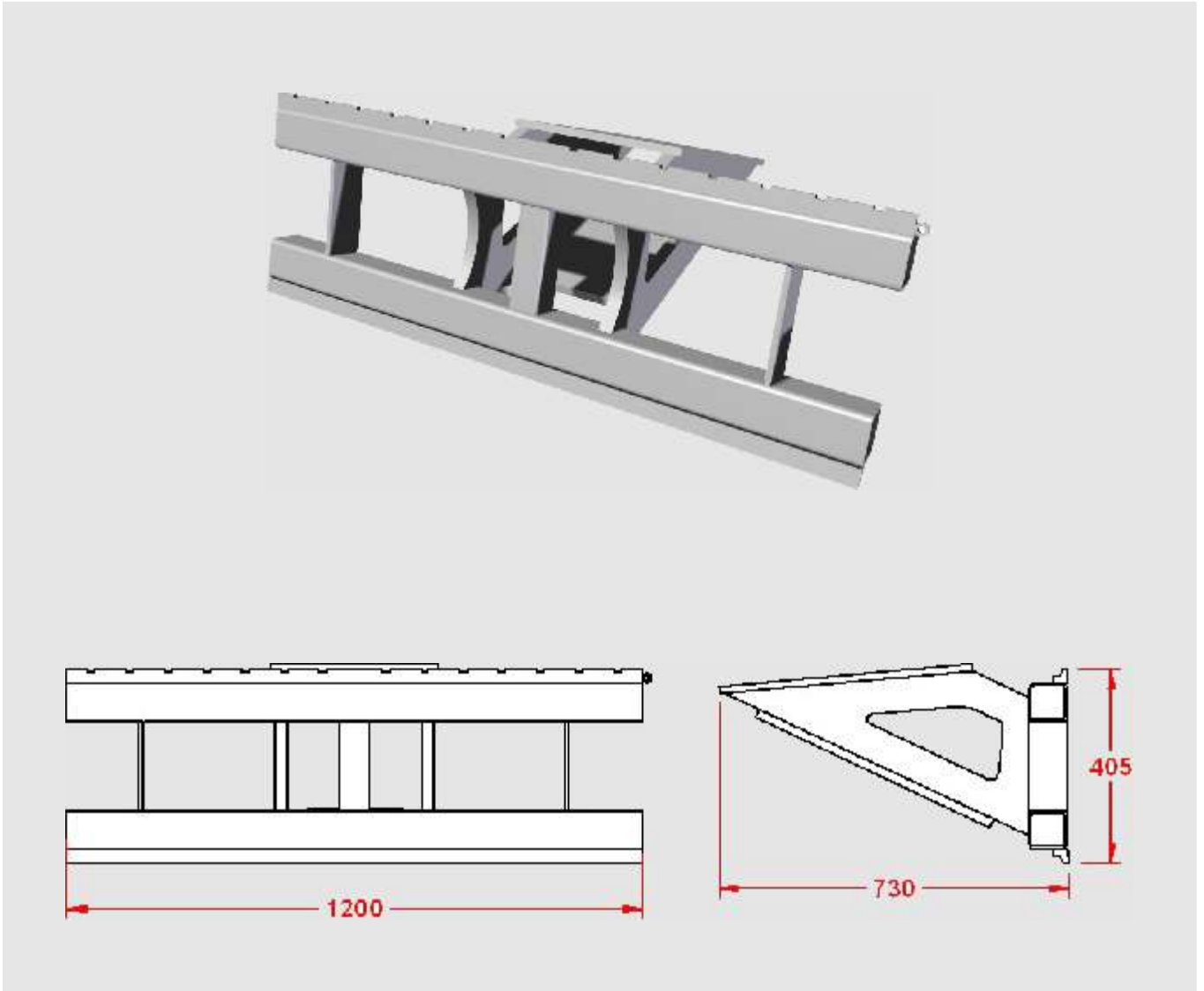
PFS7 5t-10t



Tradename	Width	Weight	Volume	Price
	(mm)	(kg)	(liters)	DKK
BU-PFS7-30/65	1500	283	200	6408
BU-PFS7-40/65	1600	135	220	6675

Weight includes QCB-FL45/Hydrema

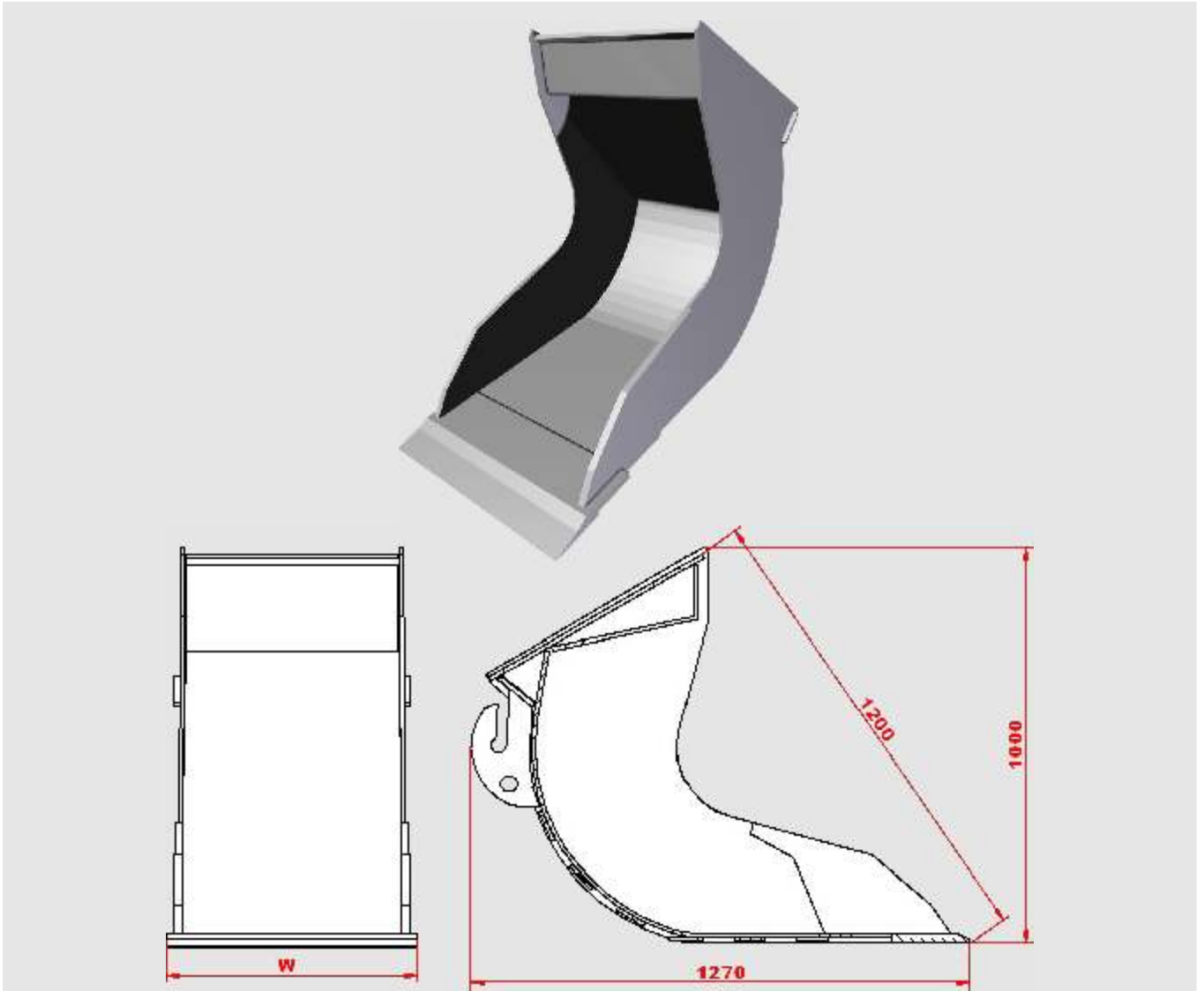
PG7 5T-10T



Tradename	Width	Weight	Volume	Price
	(mm)	(kg)	(liters)	DKK
BU-PG7-2,5T	1200	147	-	5340

Weight includes QCB-FL45/Hydrema
Price does not include forks

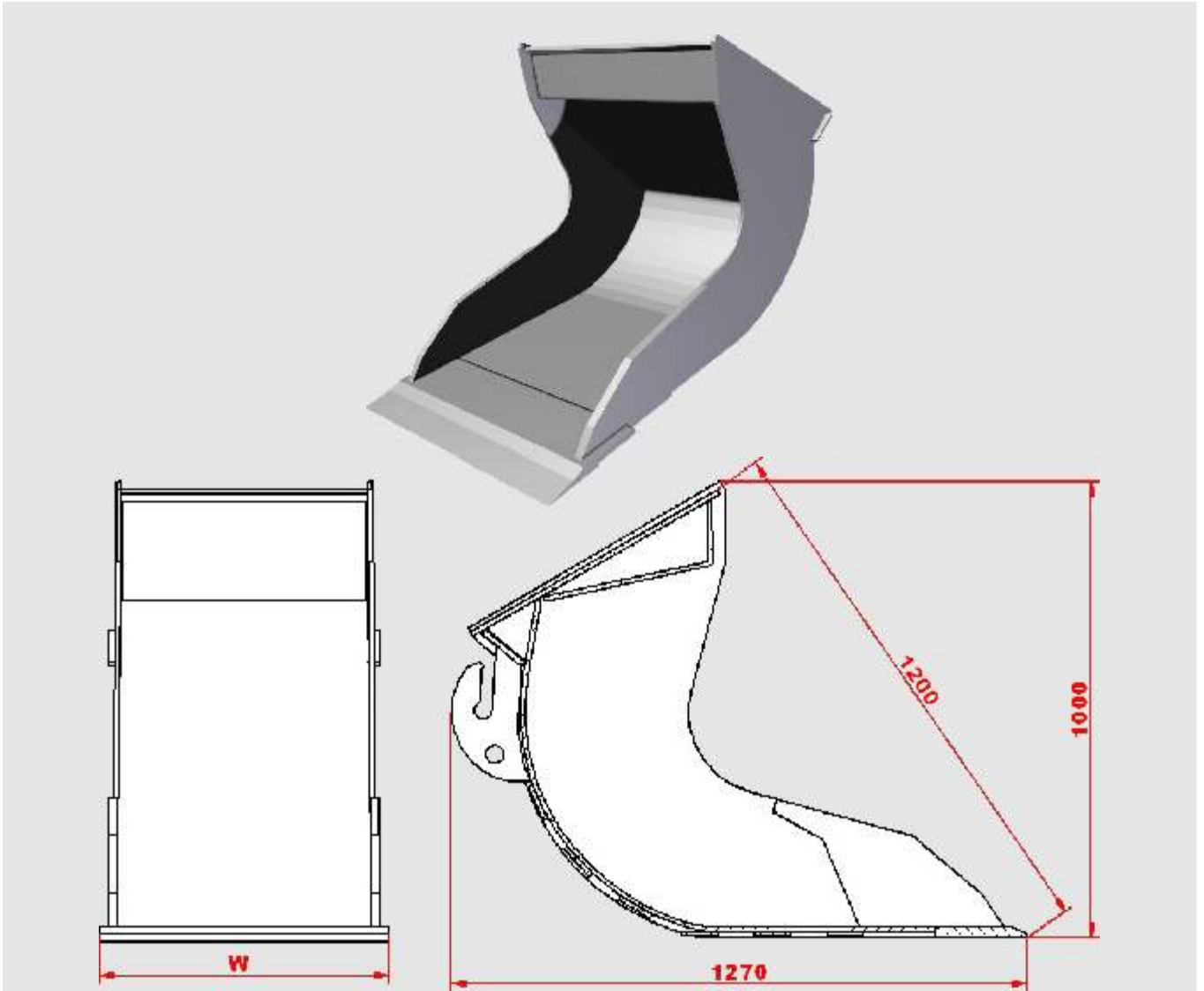
KS14-L 12t-15t



Tradename	Width	Weight	Volume	Price
	(mm)	(kg)	(liters)	DKK
BU-KS14-300-L	300	268	230	9137
BU-KS14-400-L	400	284	280	9743
BU-KS14-500-L	500	313	360	10349
BU-KS14-600-L	600	341	410	10955

Weight includes QCB-S60

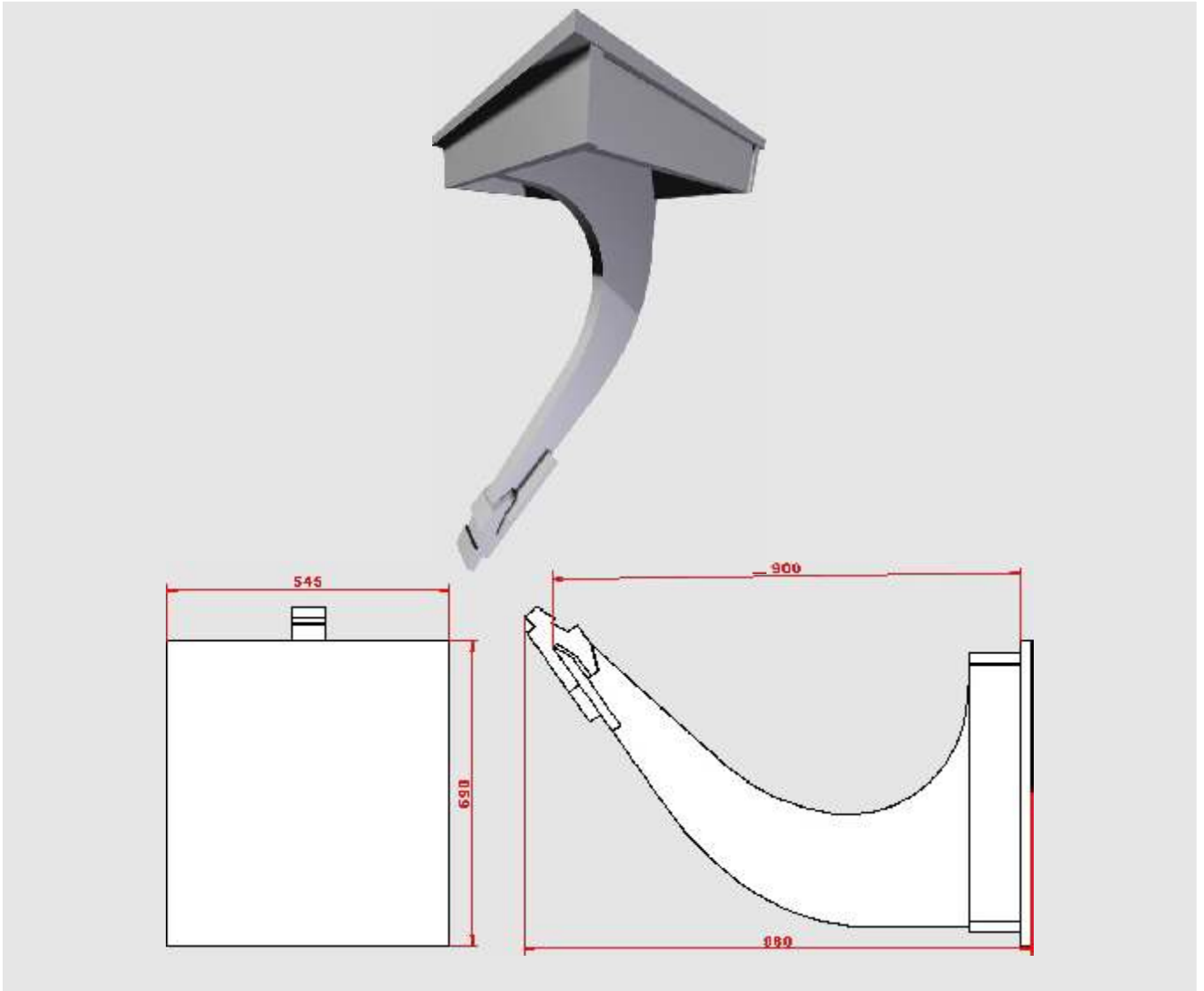
GS14-L 12t-15t



Tradename	Width	Weight	Volume	Price
	(mm)	(kg)	(liters)	DKK
BU-GS14-800-L	800	397	510	14597
BU-GS14-900-L	900	425	560	14749
BU-GS14-1000-L	1000	453	610	14901
BU-GS14-1100-L	1100	481	660	15053
BU-GS14-1200-L	1200	509	710	15206
BU-GS14-1300-L	1300	537	760	15358

Weight includes QCB-S60

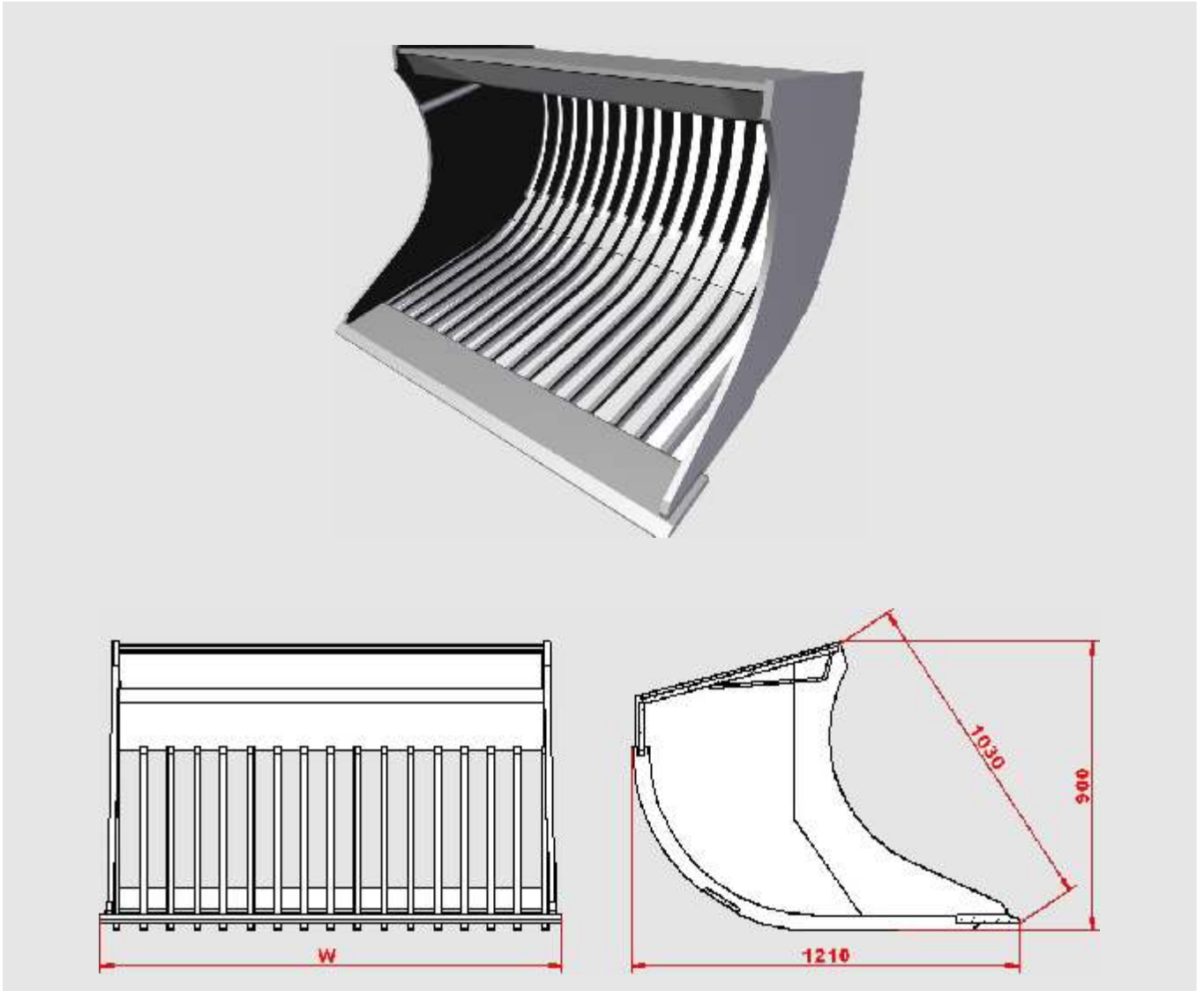
GRT14T 12t-15t



Tradename	Width	Weight	Volume	Price
	(mm)	(kg)	(liters)	DKK
BU-GRT14T-1000	550	220	-	9479

Weight includes QCB-S60

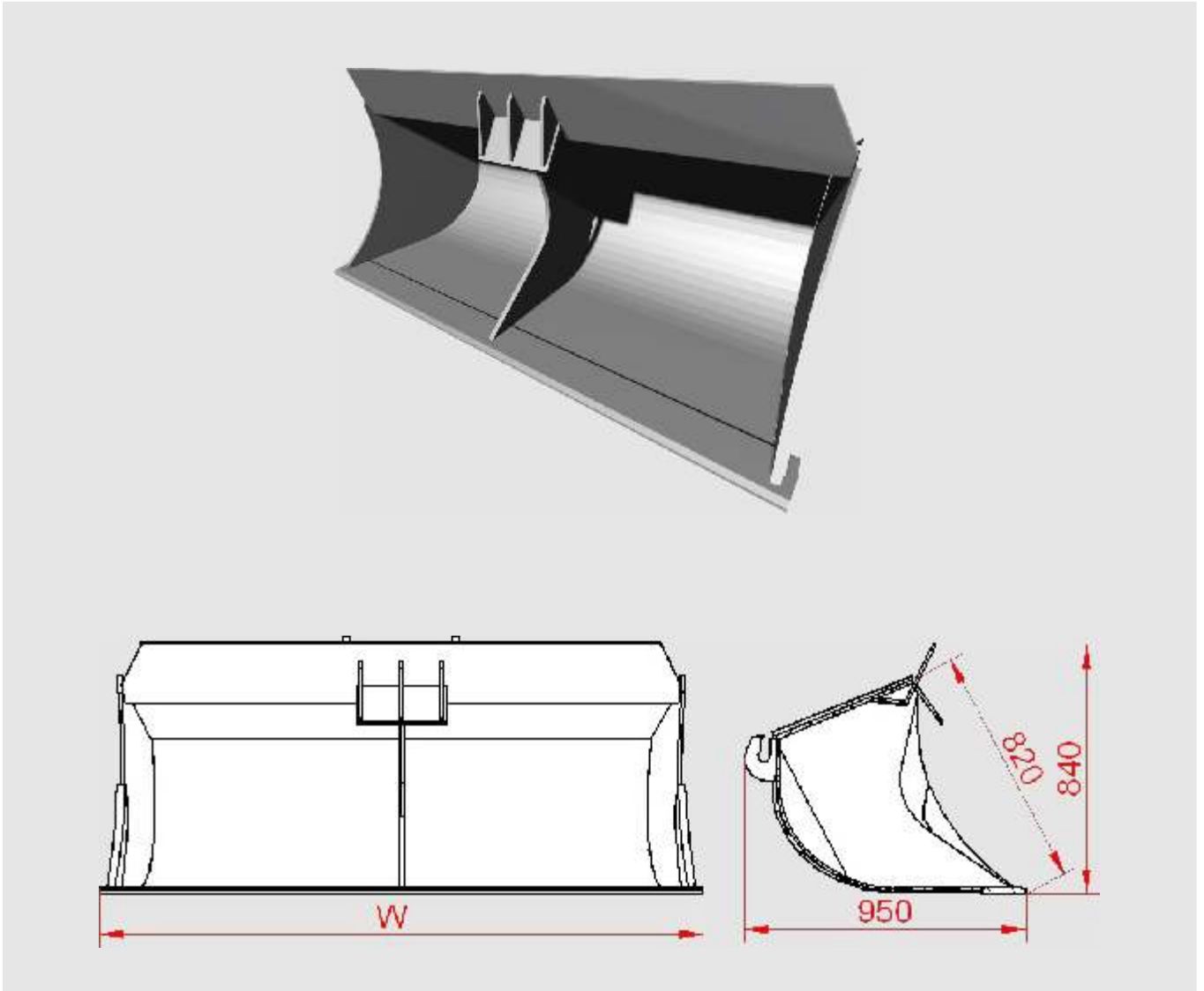
TRS14 12t-15t



Tradename	Width	Weight	Volume	Price
	(mm)	(kg)	(liters)	DKK
BU-TRS14-1000	1000	518	720	23419
BU-TRS14-1100	1100	538	805	23651
BU-TRS14-1200	1200	558	890	23883
BU-TRS14-1300	1300	579	975	24115
BU-TRS14-1400	1400	598	1060	24350

Weight includes QCB-S60

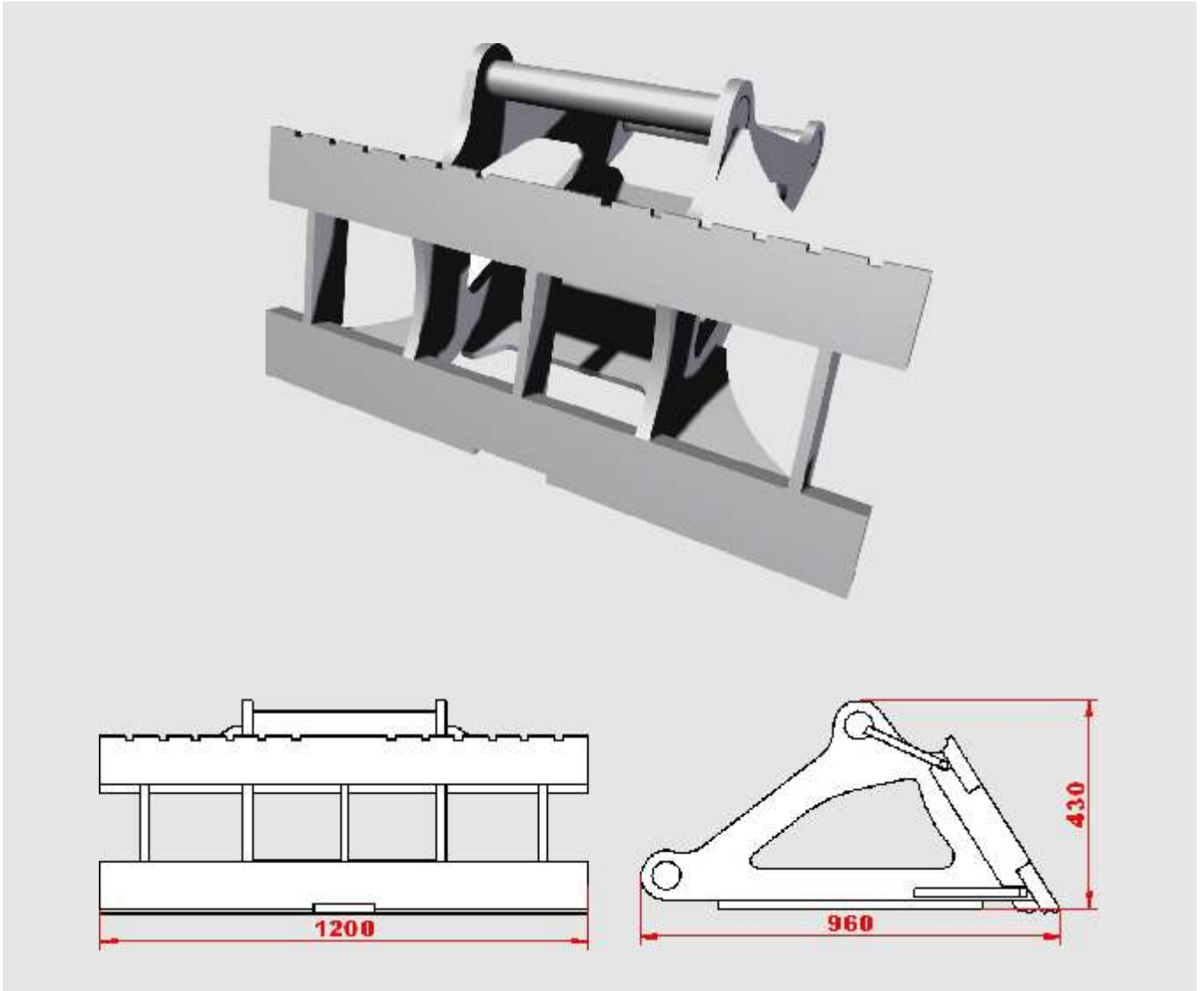
PS14 12t-15t



Tradename	Width	Weight	Volume	Price
	(mm)	(kg)	(liters)	DKK
BU-PS14-1800	1800	582	835	14837
BU-PS14-2000	2000	620	940	15302
BU-PS14-2200	2200	658	1040	15766

Weight includes QCB-S60

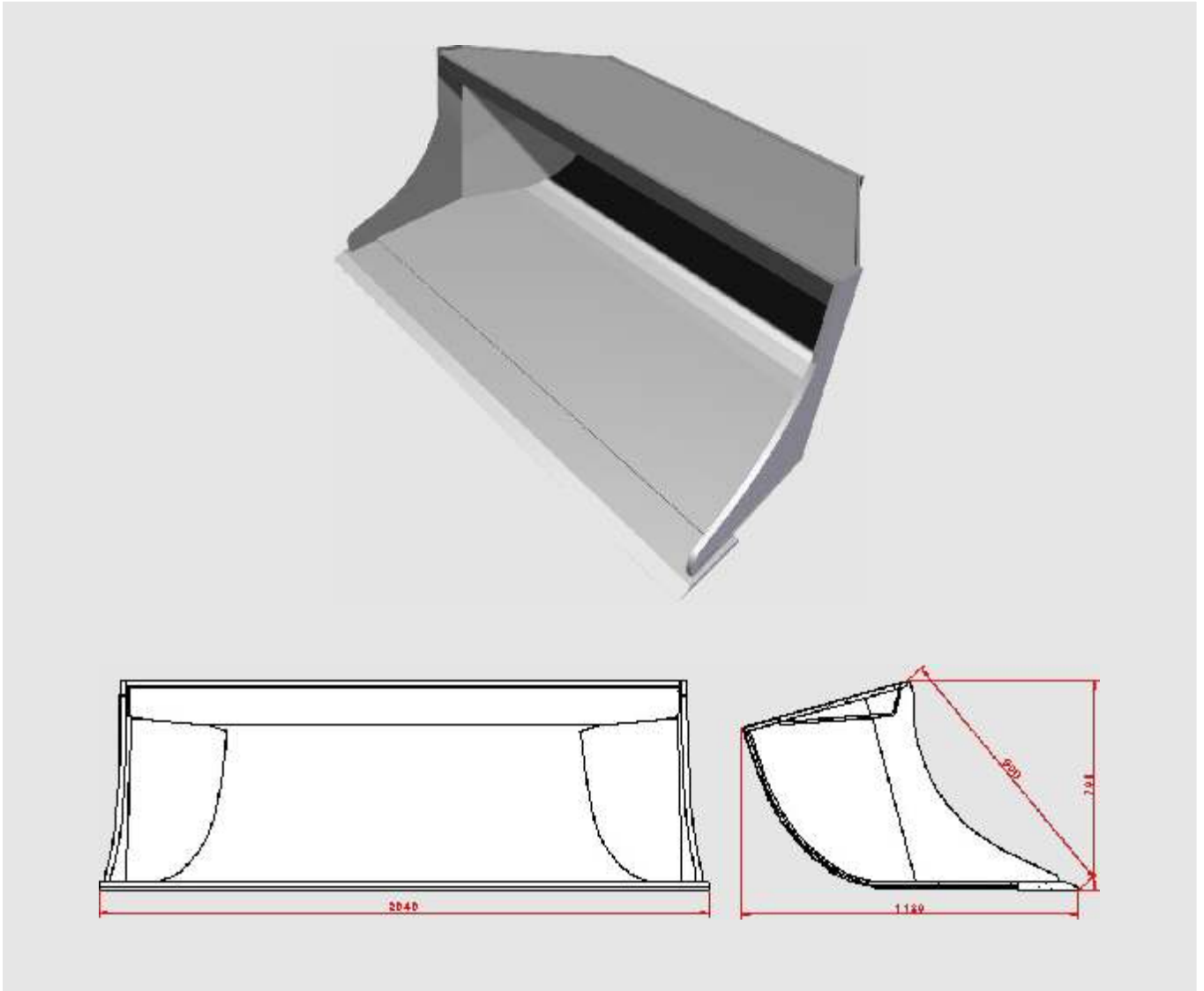
PG14 12t-15t



Tradename	Width	Weight	Volume	Price
	(mm)	(kg)	(liters)	DKK
BU-PG14-5T	1200	260	-	8945

Weight includes QCB-S60/PG14
Price does not include forks

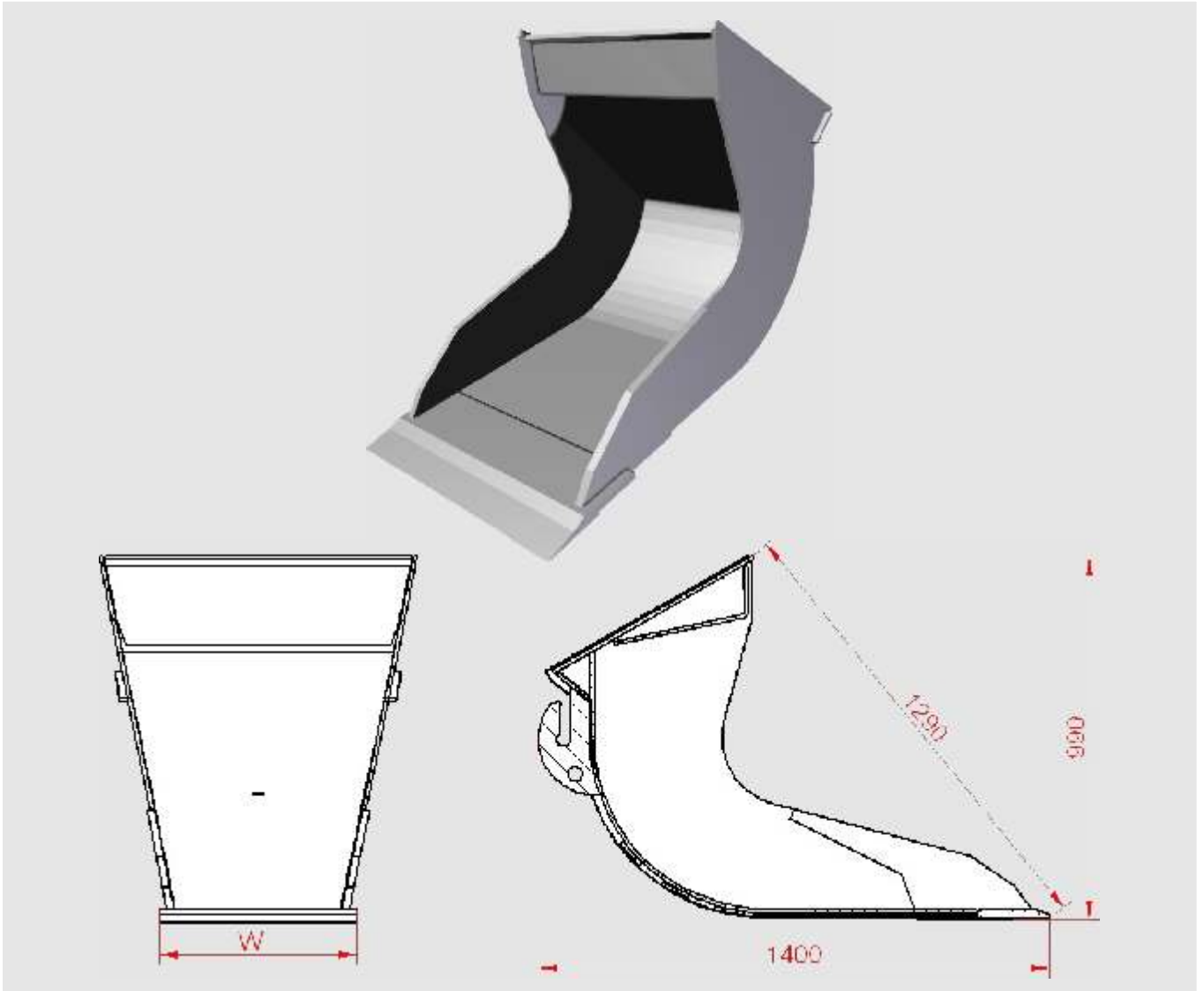
SPS14 12t-15t



Tradename	Width	Weight	Volume	Price
	(mm)	(kg)	(liters)	DKK
BU-SPS14-1800	1800	575	910	15905
BU-SPS14-2000	2000	610	1030	16370
BU-SPS14-2200	2200	645	1150	16834

Weight includes QCB-S60

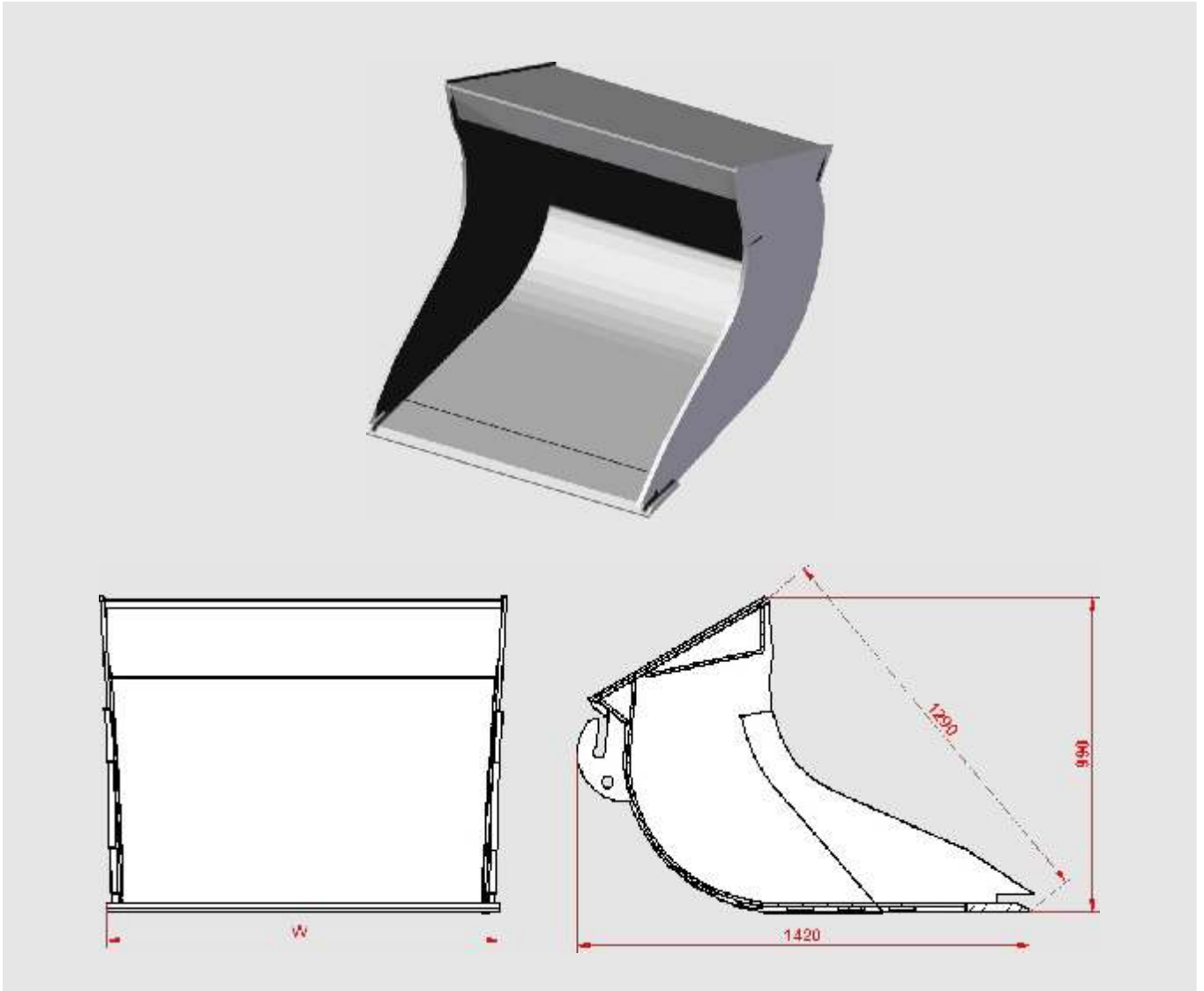
KS18-L 16t-20t



Tradename	Width	Weight	Volume	Price
	(mm)	(kg)	(liters)	DKK
BU-KS18-400-L	400	375	510	11745
BU-KS18-500-L	500	398	545	11745
BU-KS18-600-L	600	412	590	12157
BU-KS18-800-L	800	458	700	13102

Weight includes QCB-S70

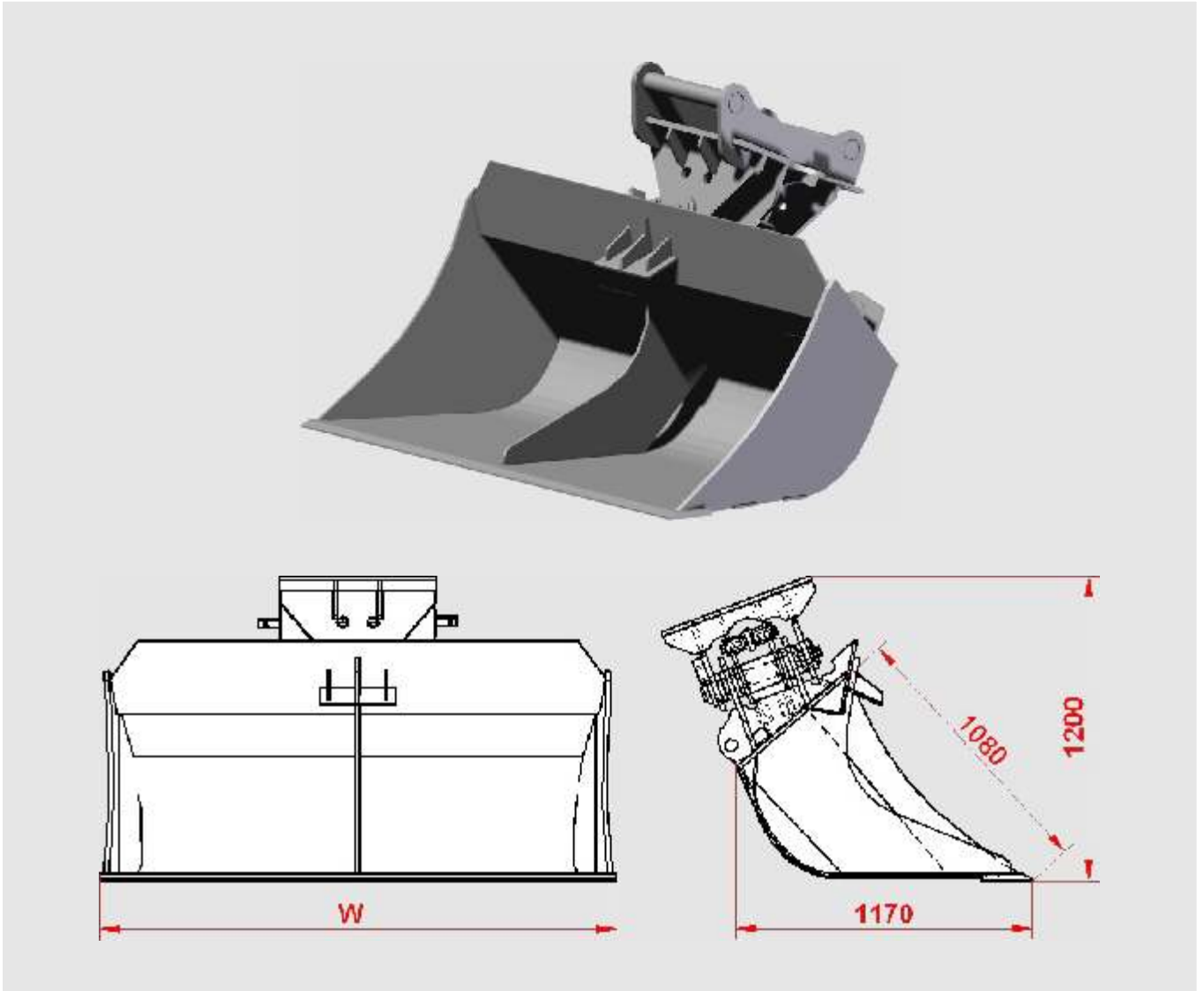
GS18-L 16t-20t



Tradename	Width	Weight	Volume	Price
	(mm)	(kg)	(liters)	DKK
BU-GS18-800-L	800	458	700	14063
BU-GS18-900-L	900	496	820	14509
BU-GS18-1000-L	1000	535	905	14981
BU-GS18-1100-L	1100	572	1010	15454
BU-GS18-1200-L	1200	607	1120	15927
BU-GS18-1300-L	1300	642	1225	16399

Weight includes QCB-S70

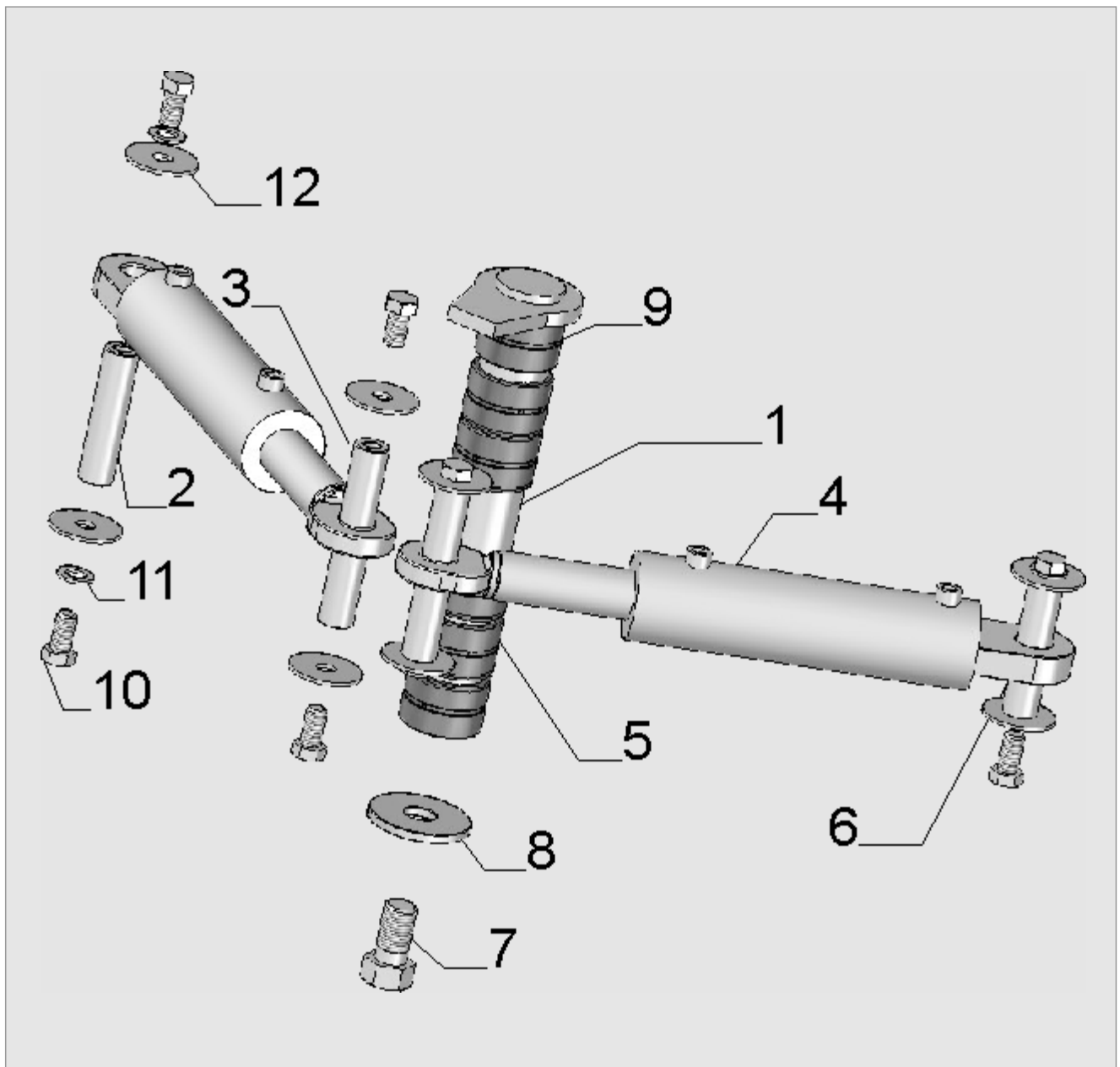
TPS18 16t-20t



Tradename	Width	Weight	Volume	Price
	(mm)	(kg)	(liters)	DKK
BU-TPS18-2000	2000	1050	1300	43310

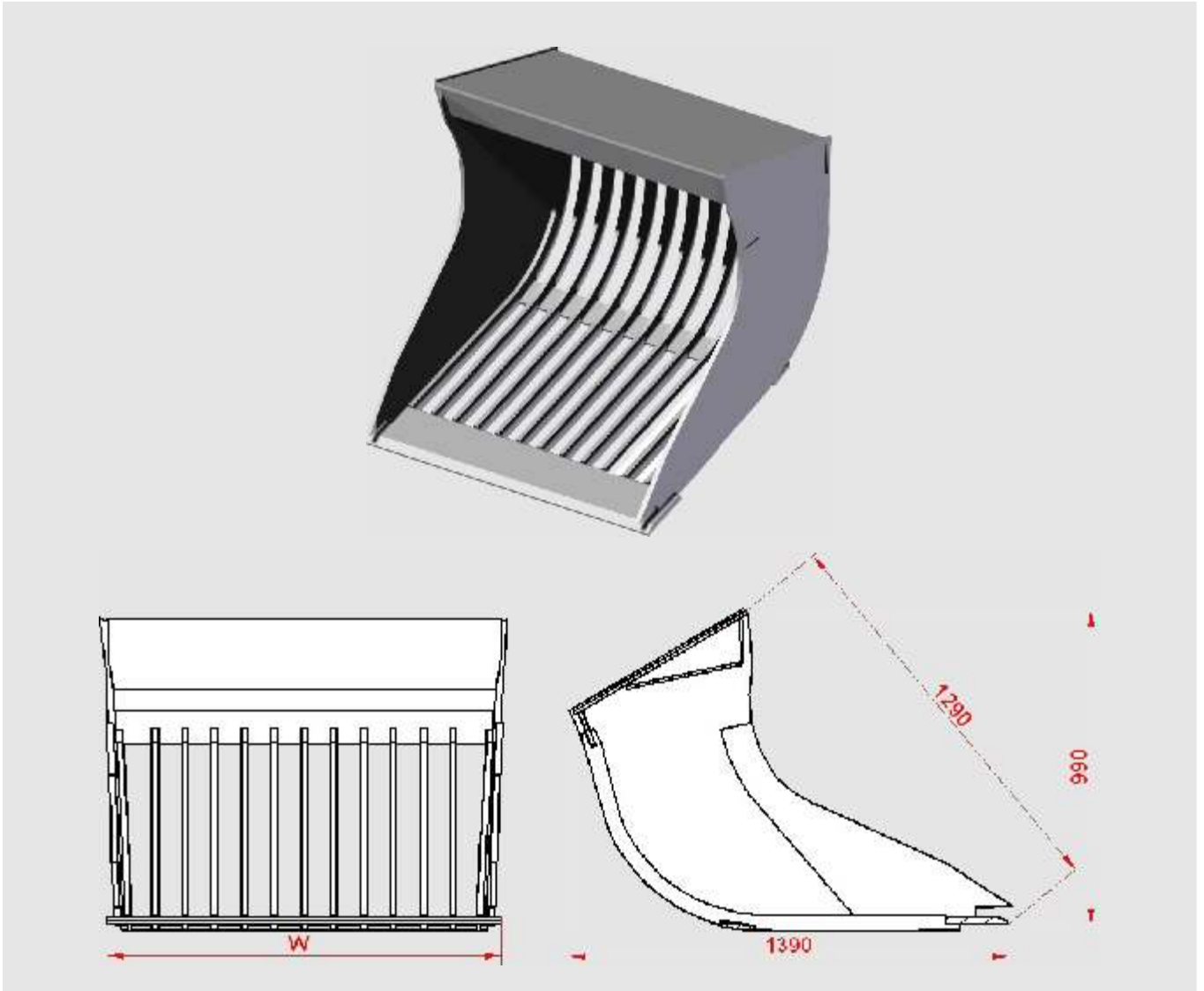
Weight includes QCB-S70

Spare parts for tilt bucket type TPS18



Pos.	Part number	Designation	Quantity
1	BU-SW-60x435-M24	Main shaft	1
2	BU-SW-35148-M20	Cylinder shaft	2
3	BU-SW-35195-M20	Cylinder shaft	2
4	BU-SIL-HYDR-DW-OB-50-80-300	Cylinder 50-80-300	2
5	BU-UCHO-SIL-GK35GR	Ear of the cylinder	2
6	BU-UCHO-SIL-GF35GR	Ear of the cylinder	2
7	M24x60	Bolt M33x60	1
8	BU-POD-105/34-10	Washer 105/34-10	1
9	BU-TUL-WYS-60x75x45 B4	Bushing 60x75x45 B4	6
10	M20x40	Bolt M20x40	8
11	POD-M20	Washer M20	8
12	BU-POD-75/21-5	Washer -75/21-5	8
13	POD-M24	Washer M24	1

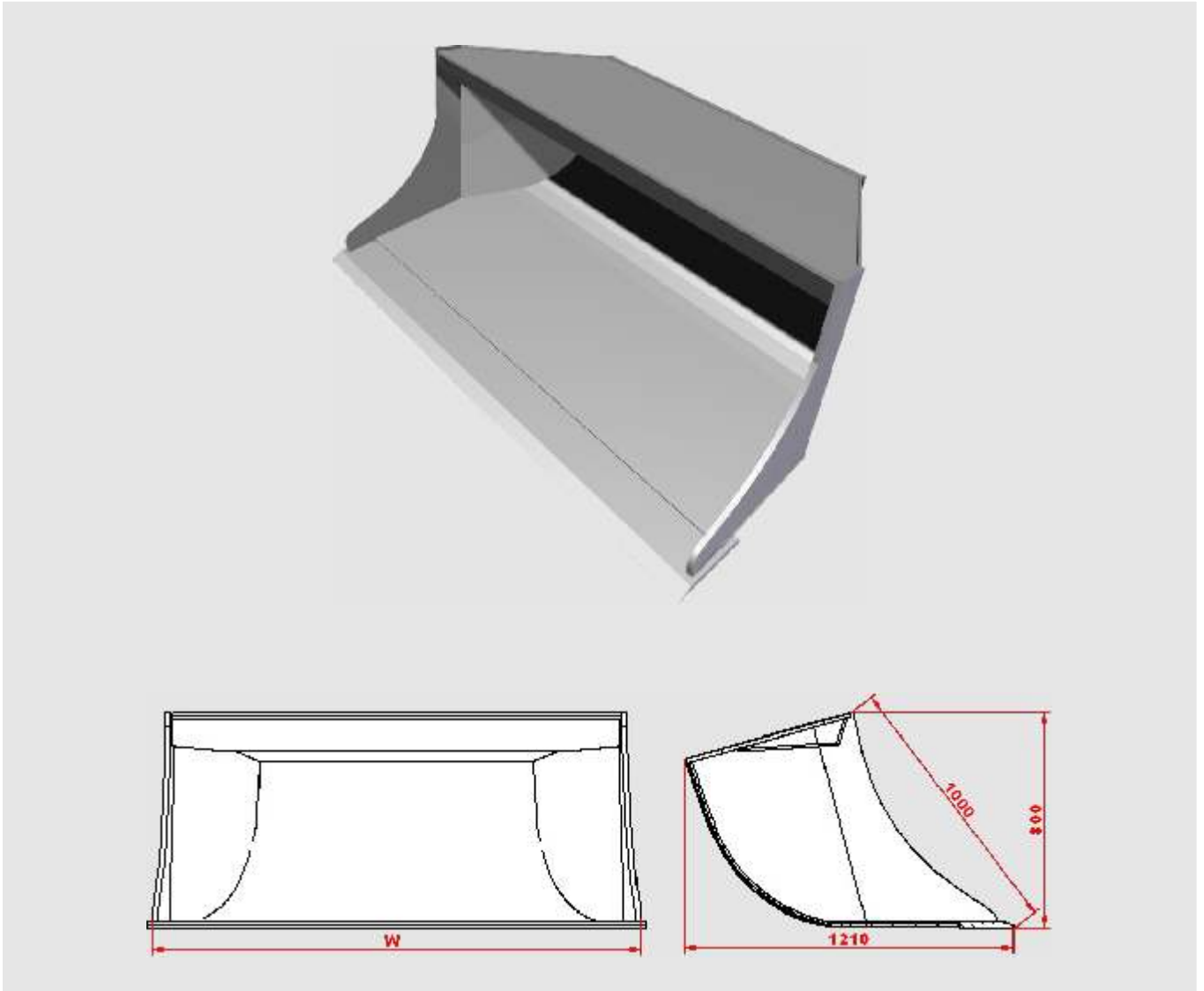
TRS18 16t-20t



Tradename	Width	Weight	Volume	Price
	(mm)	(kg)	(liters)	DKK
BU-TRS18-1000	1000	461	905	22457
BU-TRS18-1200	1200	566	1120	23403
BU-TRS18-1400	1400	671	1330	24348

Weight includes QCB-S70

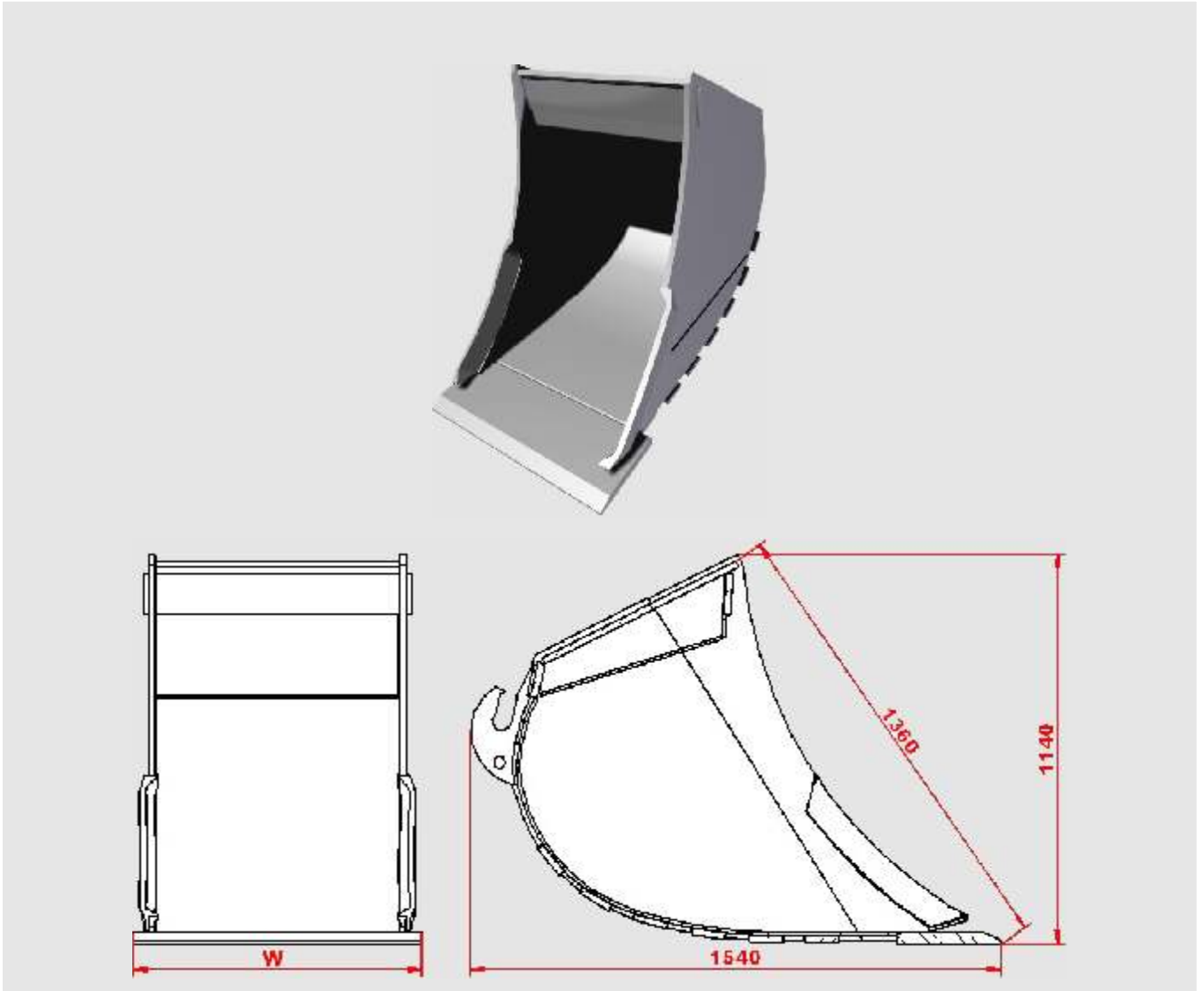
SPS18 16t-20t



Tradename	Width	Weight	Volume	Price
	(mm)	(kg)	(liters)	DKK
BU-SPS18-1800	1800	675	1290	25037
BU-SPS18-2000	2000	778	1460	25581
BU-SPS18-2200	2200	881	1640	26126

Weight includes QCB-S70

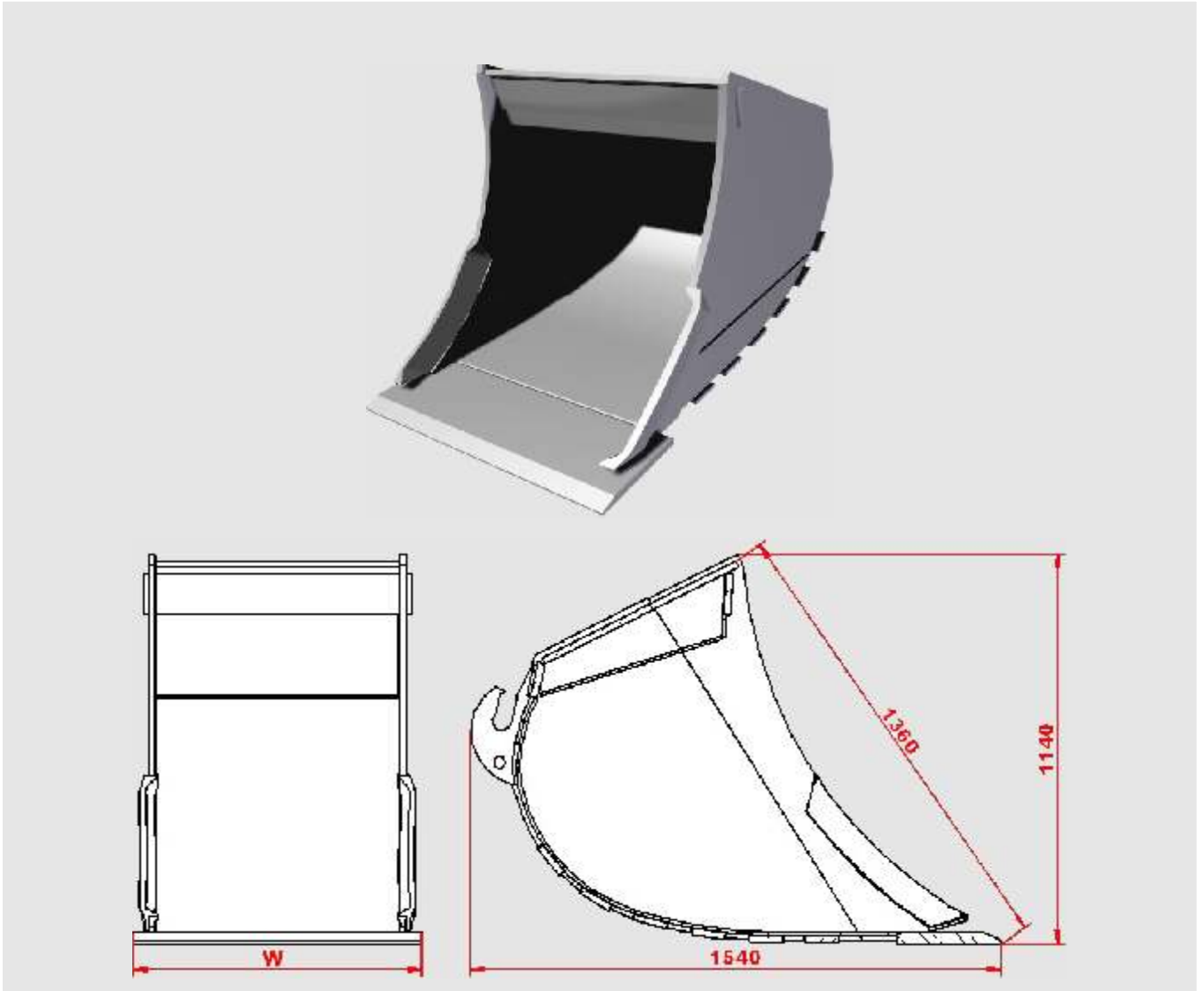
KS25 21t-28t



Tradename	Width	Weight	Volume	Price
	(mm)	(kg)	(liters)	DKK
BU-KS25-600	600	580	490	17764
BU-KS25-800	800	682	710	19777
BU-KS25-1000	1000	784	945	21790

Weight includes QCB-S70

GS25 21t-28t

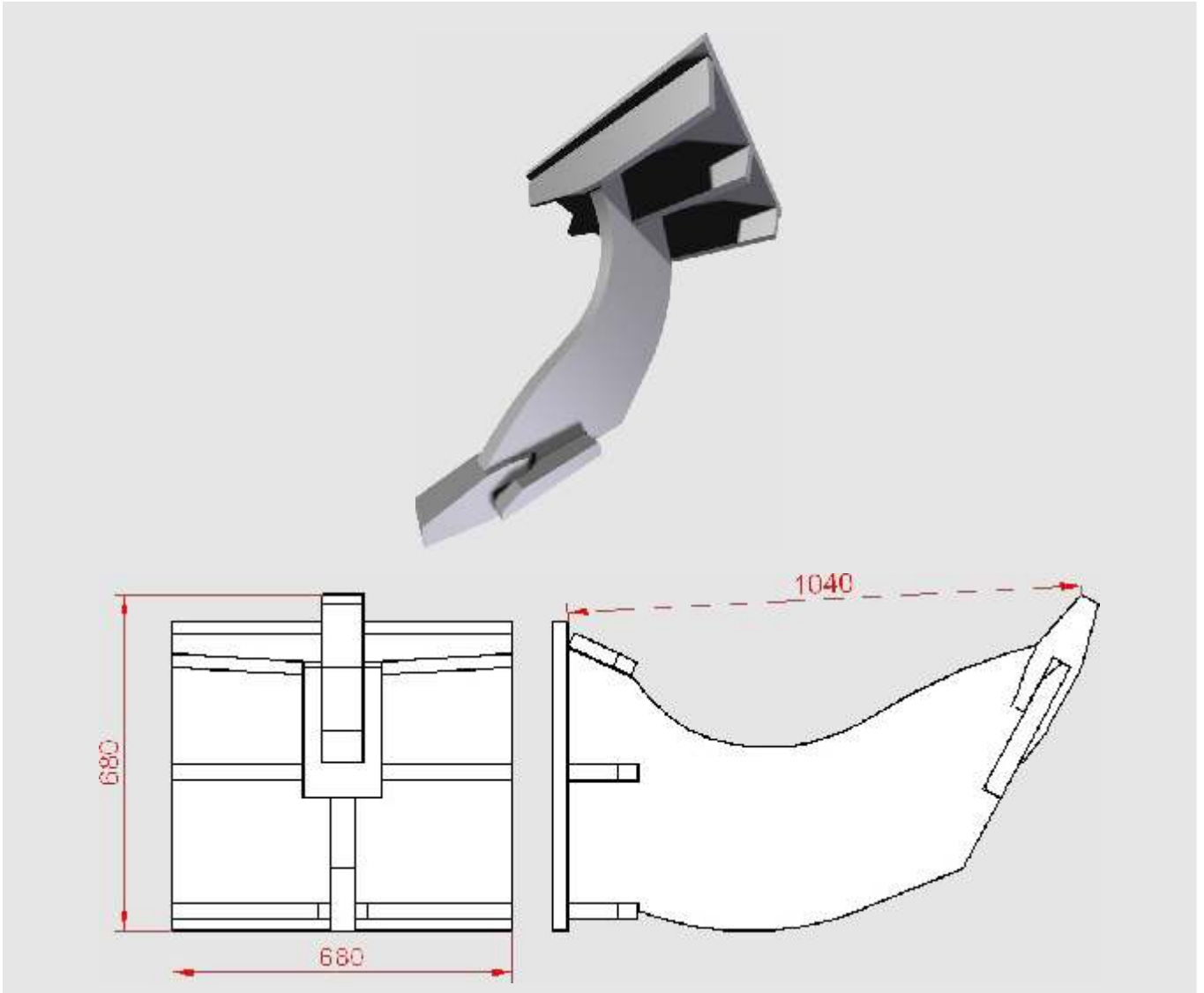


Tradename	Width	Weight	Volume	Price
	(mm)	(kg)	(liters)	DKK
BU-GS25-1200	1200	886	1190	26473
BU-GS25-1300	1300	937	1310	27346
BU-GS25-1400	1400	988	1435	28219
BU-GS25-1500	1500	1039	1560	29092

Weight includes QCB-S70

GRT25T

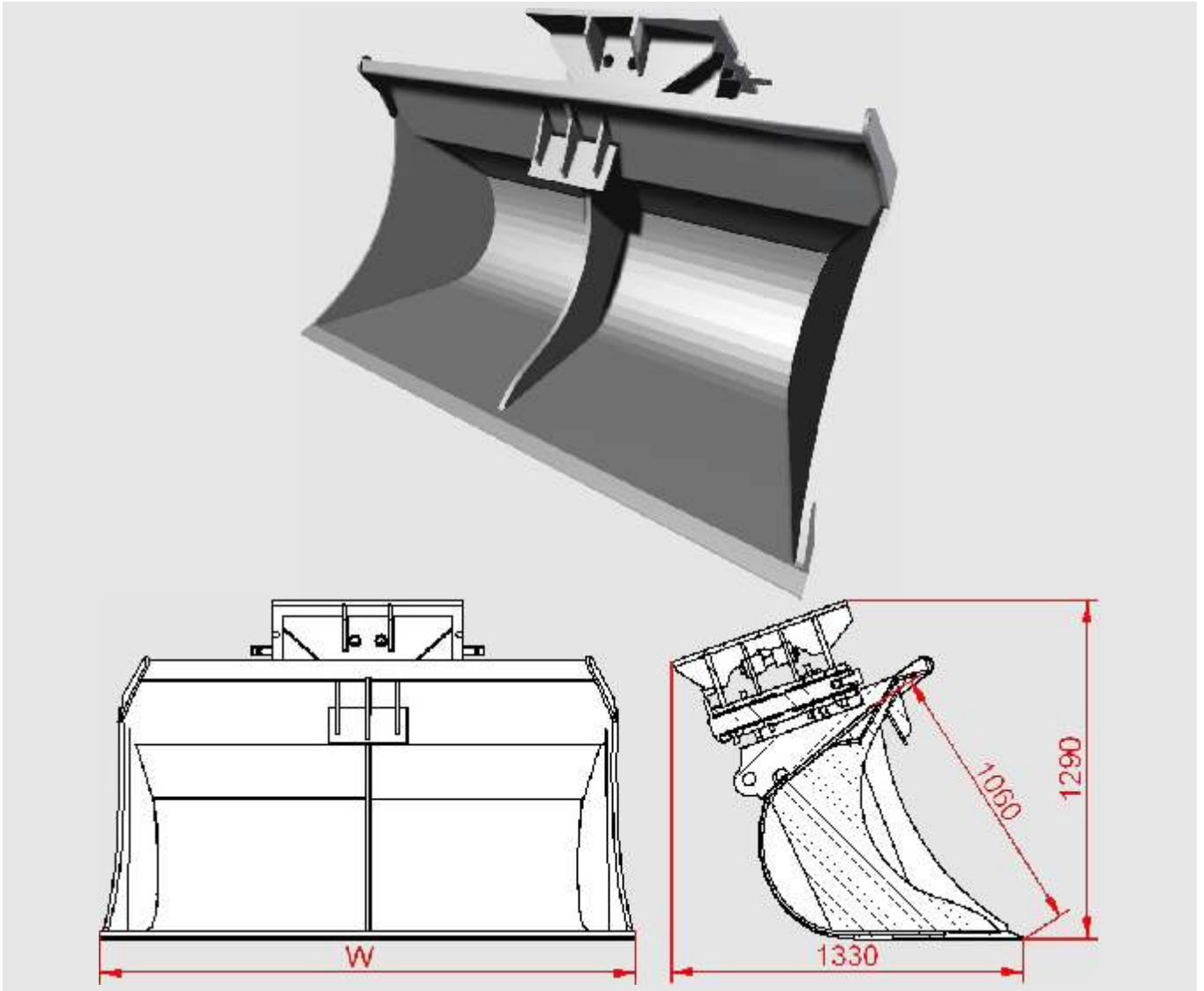
21t-28t



Tradename	Width	Weight	Volume	Price
	(mm)	(kg)	(liters)	DKK
BU-GRT25T-1200	680	440	-	19865

Weight includes QCB-S70

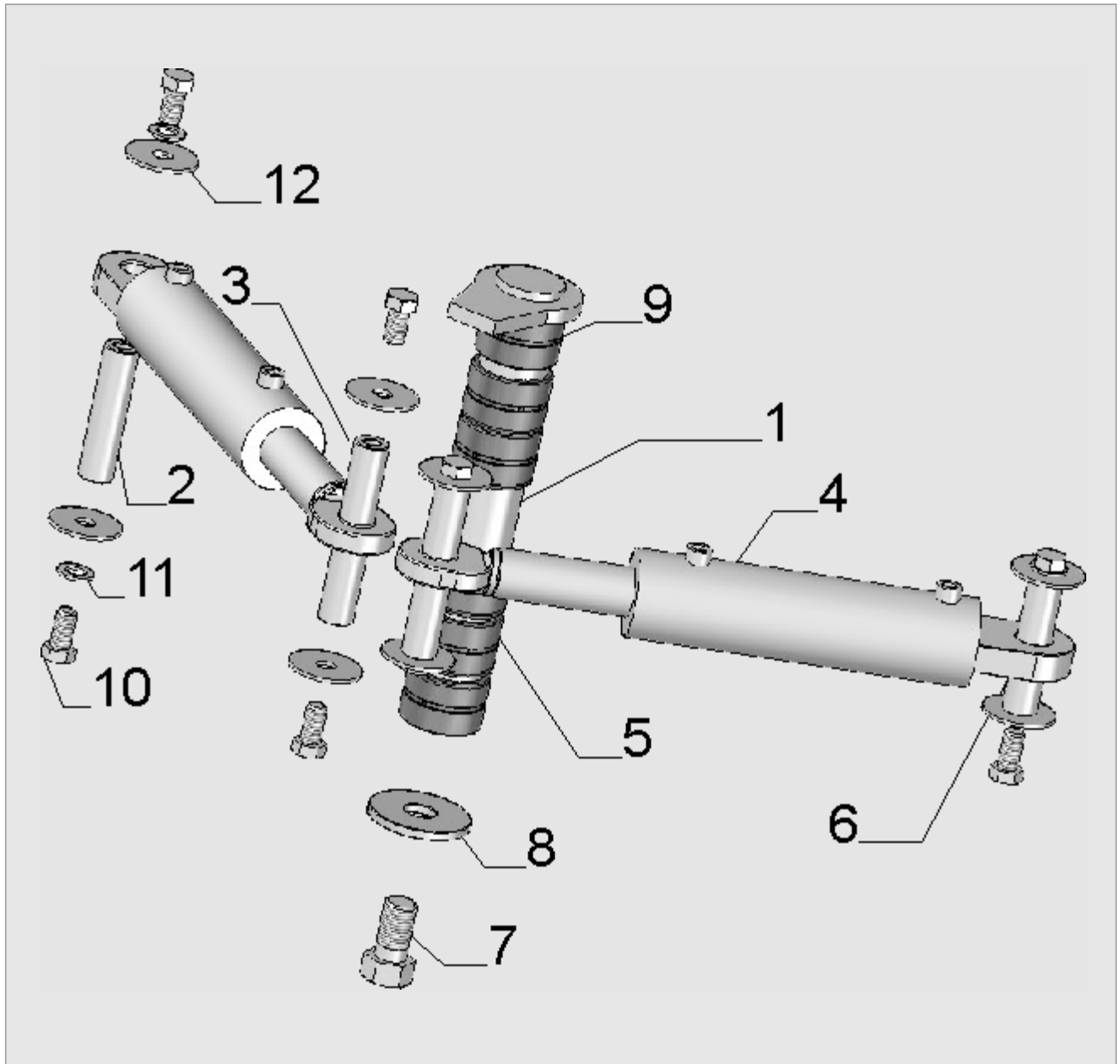
TPSL25 21t-28t



Tradename	Width	Weight	Volume	Price
	(mm)	(kg)	(liters)	DKK
BU-TPSL25-2000	2000	1180	1300	44829
BU-TPSL25-2200	2200	1300	1450	46431

Weight includes QCB-S70

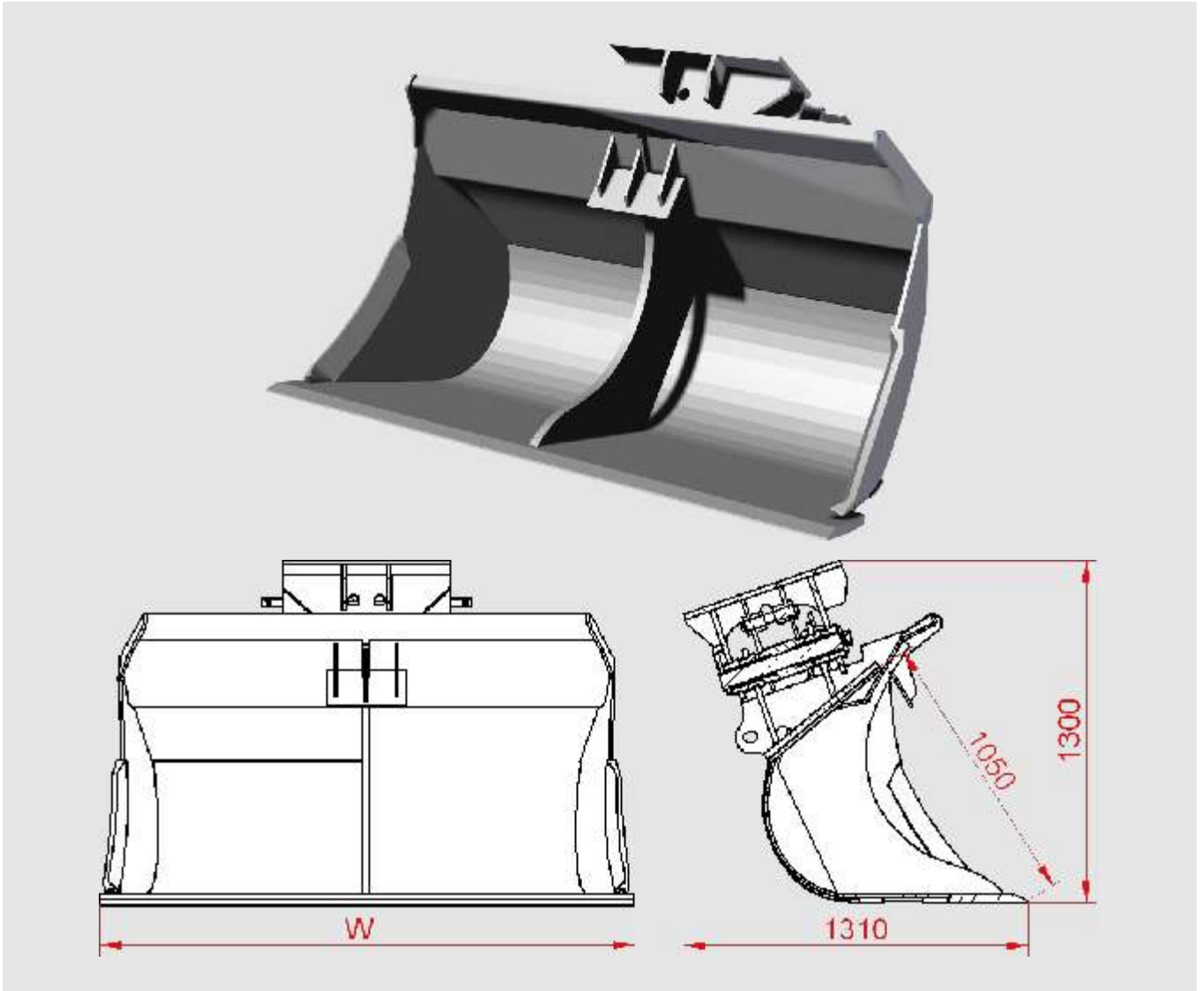
Spare parts for tilt bucket type TPSL25



Pos.	Part number	Designation	Quantity
1	BU-SW-70460-M33	Main shaft	1
2	BU-SW-35145-M20	Cylinder shaft	2
3	BU-SW-35195-M20	Cylinder shaft	2
4	BU-SIL-HYD-DW-OB-50-80-200	Cylinder 50-80-200	2
5	BU-UCHO-SIL-GK35GR	Ear of the cylinder	2
6	BU-UCHO-SIL-GF35GR	Ear of the cylinder	2
7	M33x60	Bolt M33x60	1
8	BU-POD-105/34-10	Washer 105/34-10	1
9	BU-TUL-WYS-70x85x70 B3	Bushing 70x85x70 B3	6
10	M20x40	Bolt M20x40	8
11	POD-M20	Washer M20	8
12	BU-POD-75/21-5	Washer -75/21-5	8
13	POD-M33	Washer M33	1

TPS25-HD

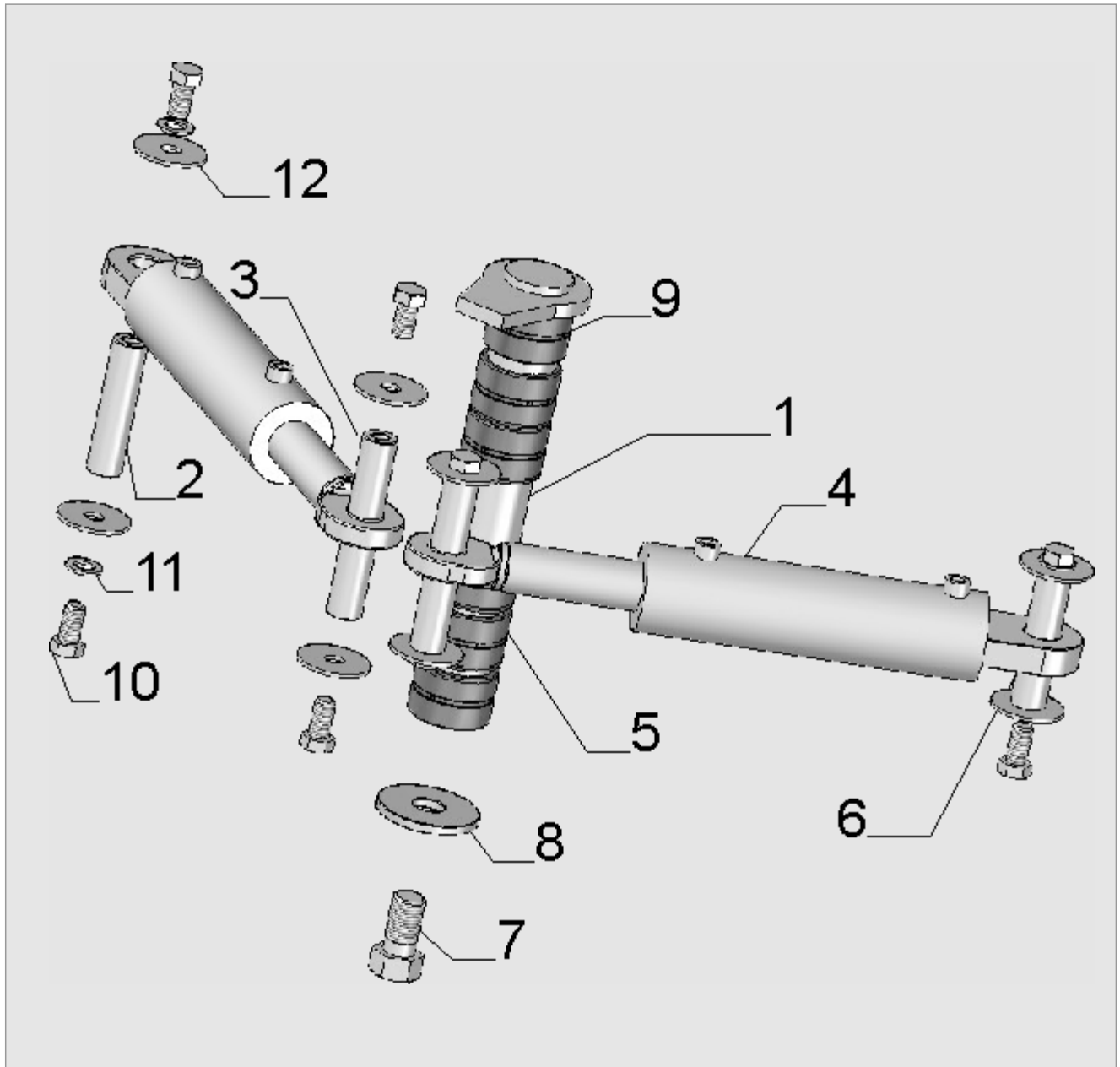
21t-28t



Tradename	Width	Weight	Volume	Price
	(mm)	(kg)	(liters)	DKK
BU-TPS25-2000-HD	2000	1180	1300	51614
BU-TPS25-2200-HD	2200	1300	1450	53093

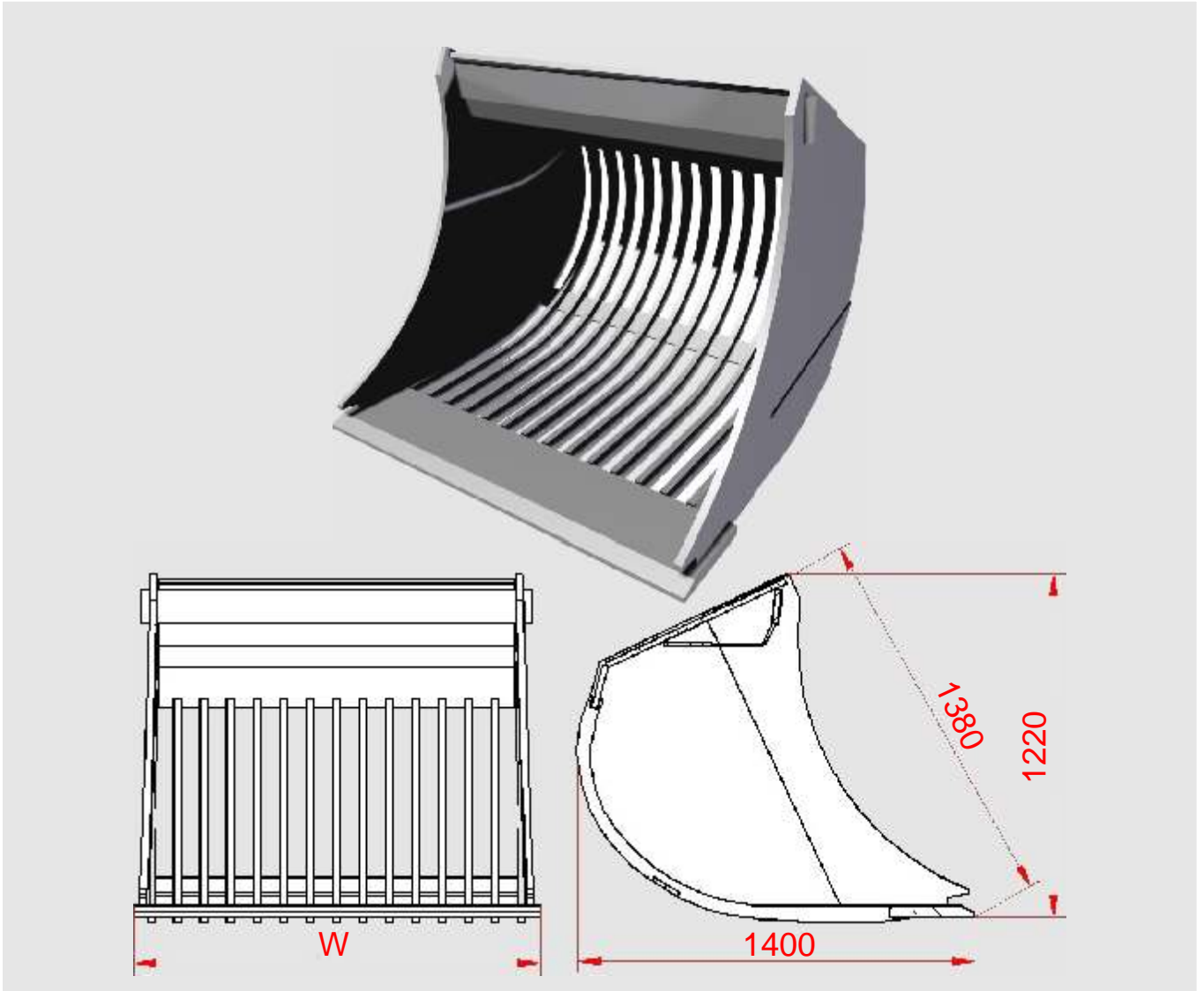
Weight includes QCB-S70

Spare parts for tilt bucket type TPS25



Pos.	Part number	Designation	Quantity
1	BU-SW-70460-M33	Main shaft	1
2	BU-SW-35145-M20	Cylinder shaft	2
3	BU-SW-35195-M20	Cylinder shaft	2
4	BU-SIL-HYD-DW-OB-50-80-200	Cylinder 50-80-200	2
5	BU-UCHO-SIL-GK35GR	Ear of the cylinder	2
6	BU-UCHO-SIL-GF35GR	Ear of the cylinder	2
7	M33x60	Bolt M33x60	1
8	BU-POD-105/34-10	Washer 105/34-10	1
9	BU-TUL-WYS-70x85x70 B3	Bushing 70x85x70 B3	6
10	M20x40	Bolt M20x40	8
11	POD-M20	Washer M20	8
12	BU-POD-75/21-5	Washer -75/21-5	8
13	POD-M33	Washer M33	1

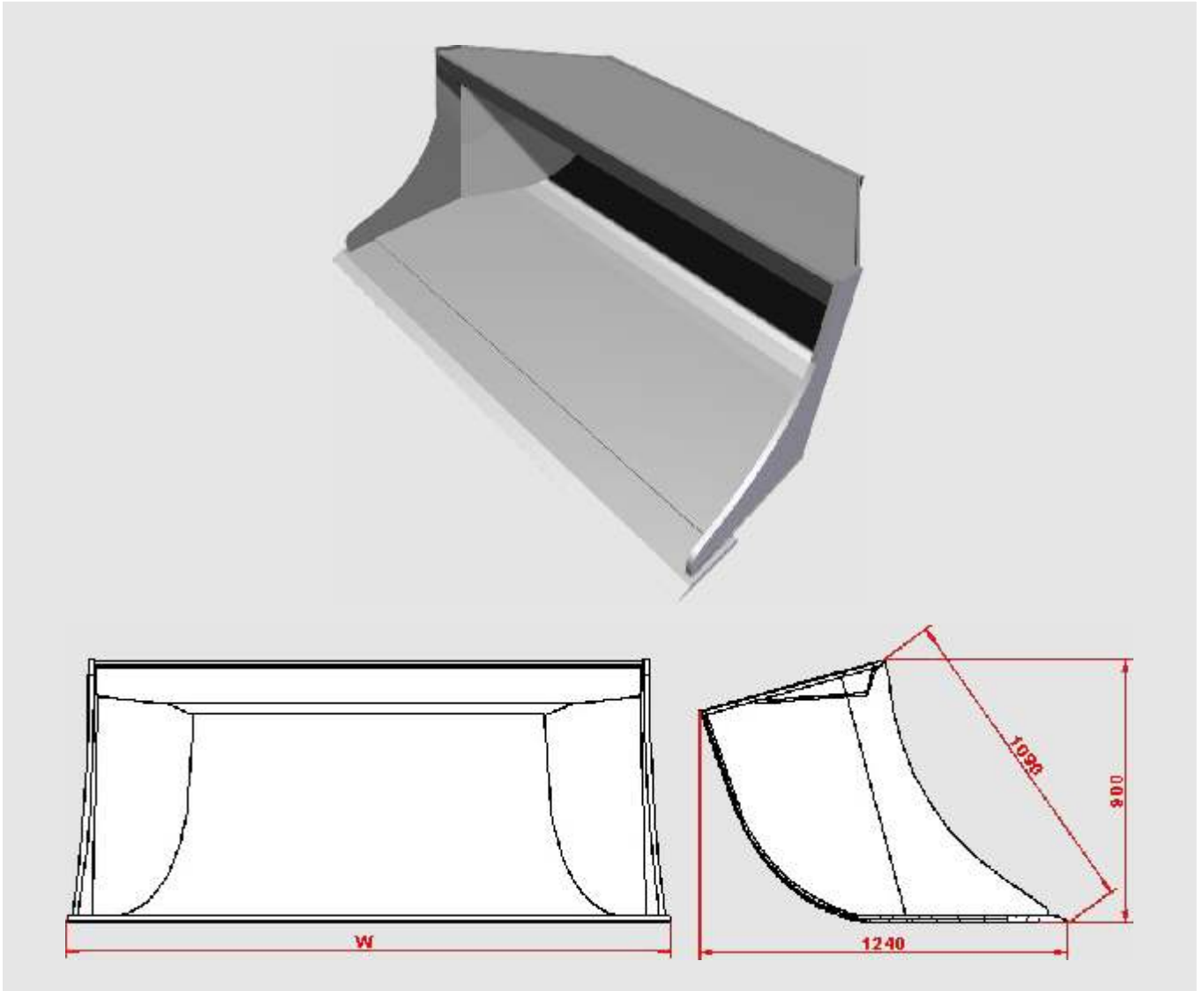
TRS25 21t-28t



Tradename	Width	Weight	Volume	Price
	(mm)	(kg)	(liters)	DKK
BU-TRS25-1300	1300	940	1300	40563
BU-TRS25-1500	1500	1230	1560	42843
BU-TRS25-1700	1700	1420	1810	45123

Weight includes QCB-S70

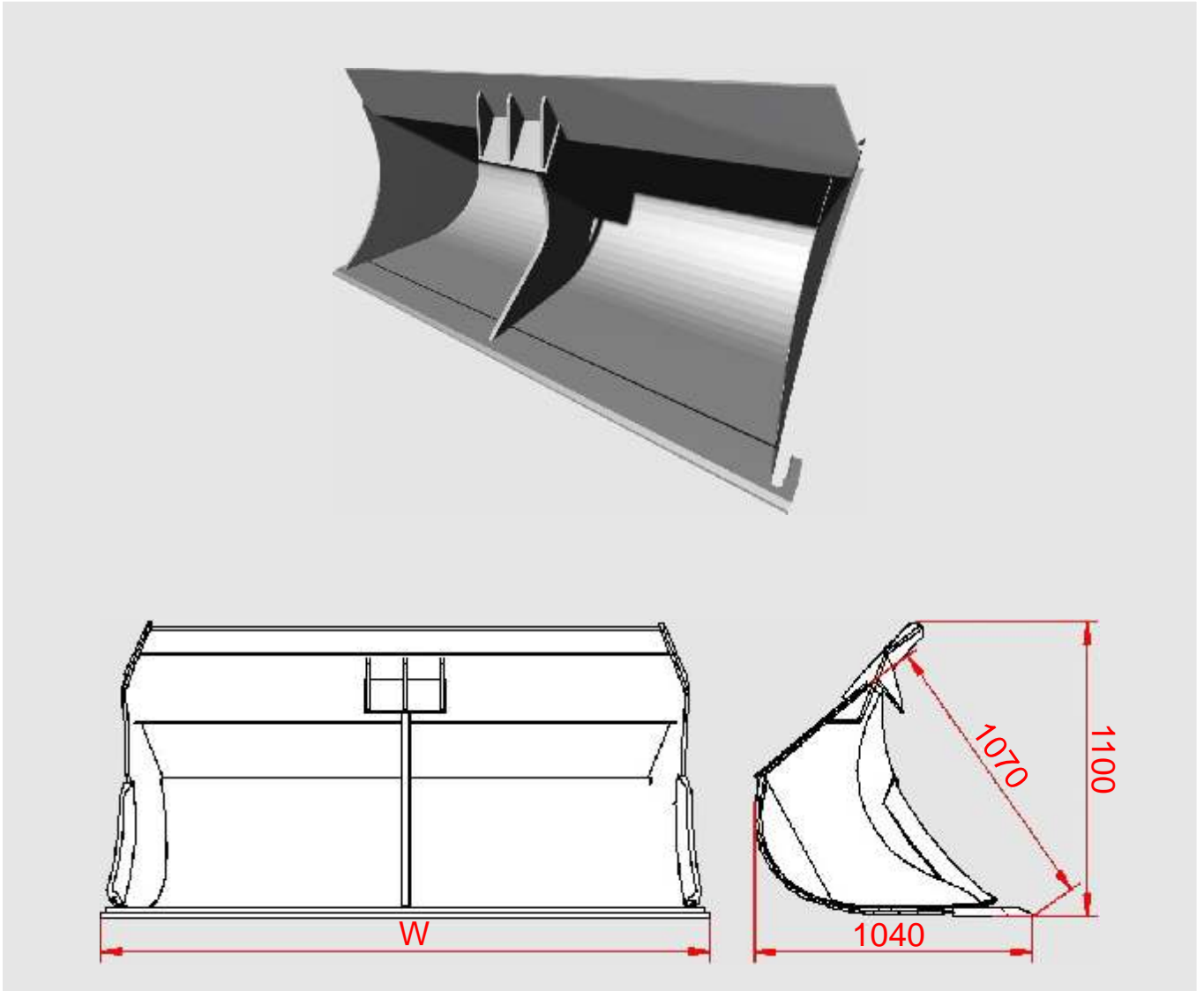
SPS25 21t-28t



Tradename	Width	Weight	Volume	Price
	(mm)	(kg)	(liters)	DKK
BU-SPS25-2000	2000	780	1485	26249
BU-SPS25-2200	2200	858	1660	28903

Weight includes QCB-S70

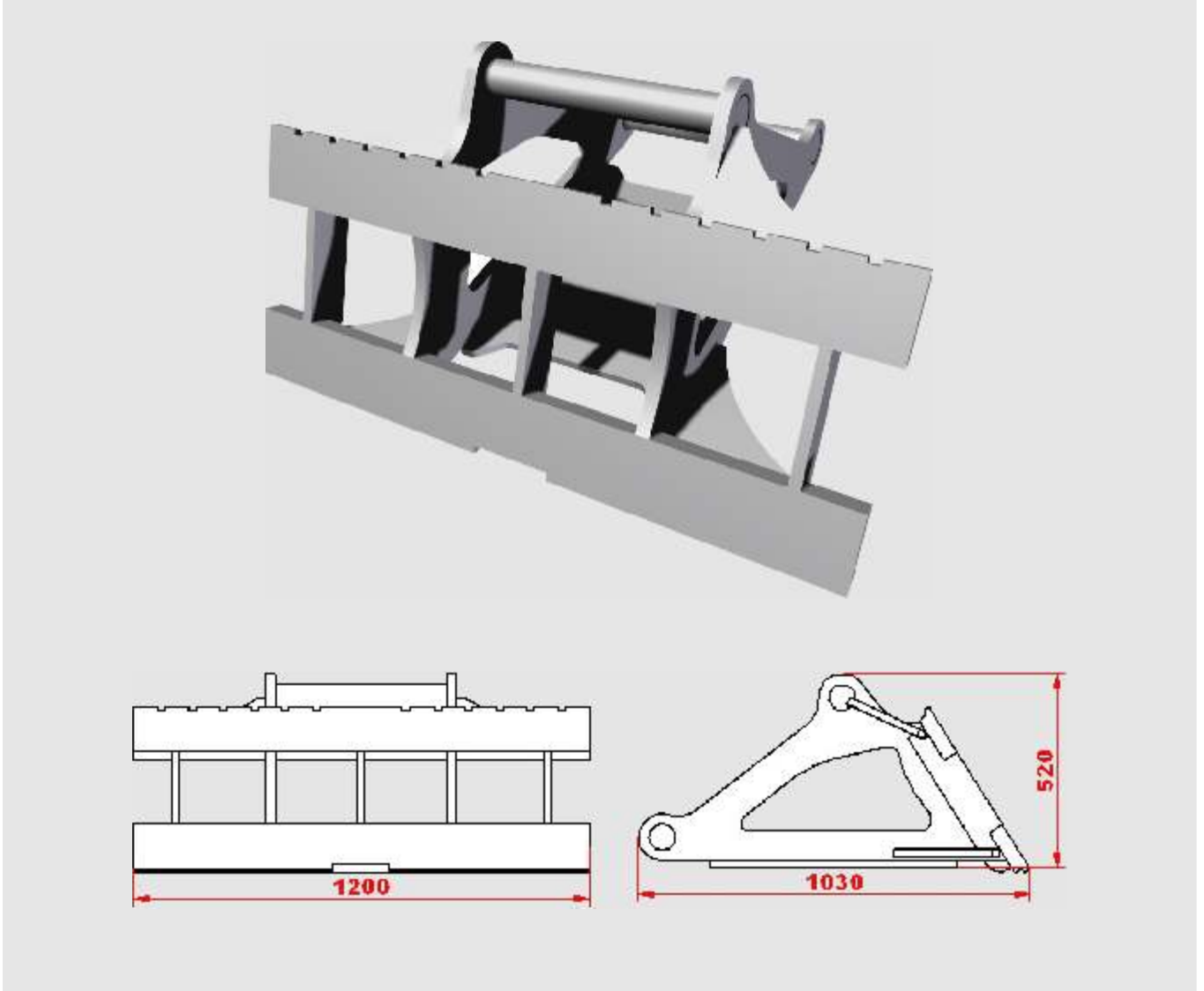
PS25 21t-28t



Tradename	Width	Weight	Volume	Price
	(mm)	(kg)	(liters)	DKK
BU-PS25-2000	2000	927	1320	30254
BU-PS25-2200	2200	1000	1470	30665

Weight includes QCB-S70/PS25

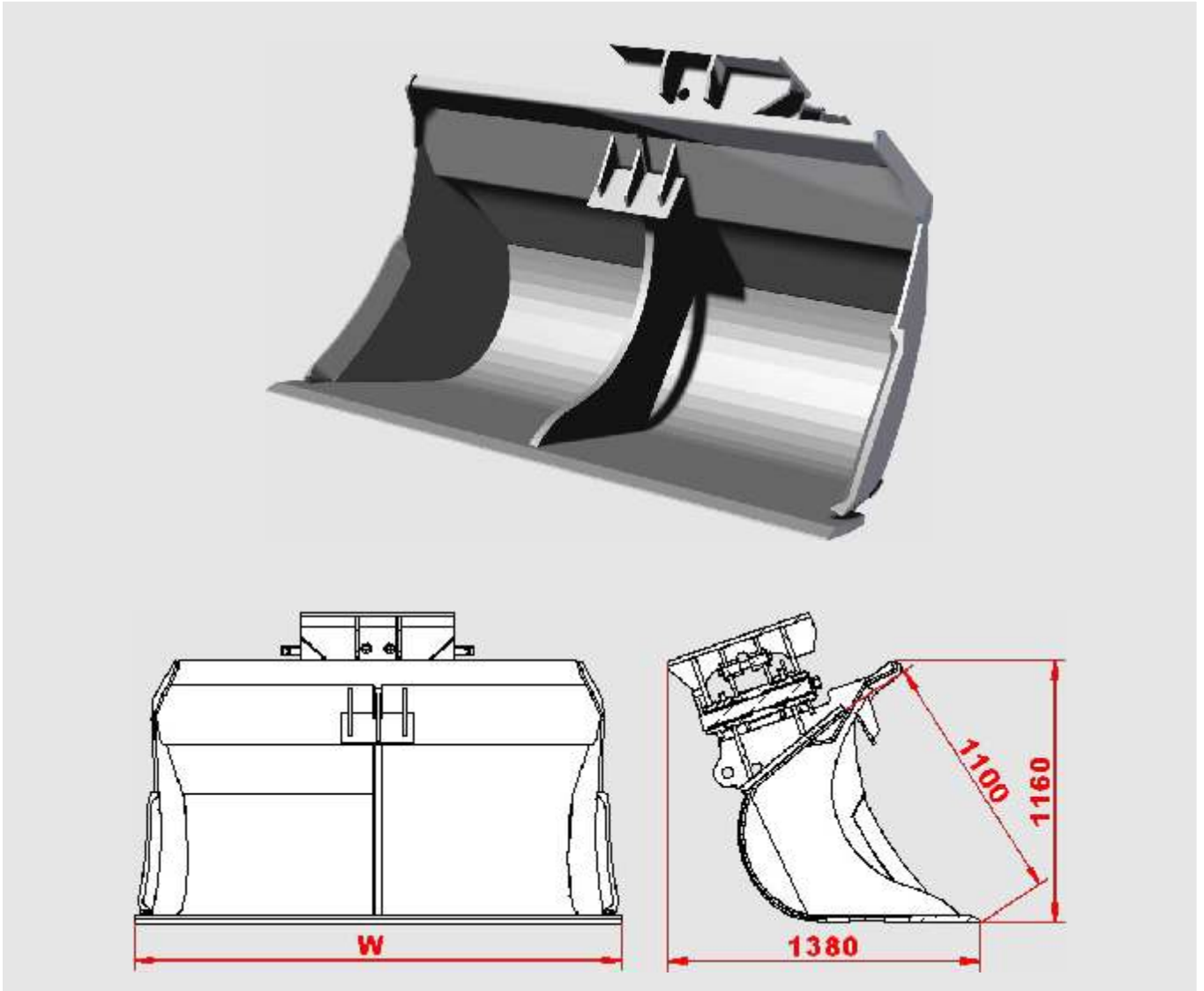
PG25 21t-28t



Tradename	Width	Weight	Volume	Price
	(mm)	(kg)	(liters)	DKK
BU-PG25-5T	1200	300	-	9479

Weight includes QCB-S70/PG25
Price does not include forks

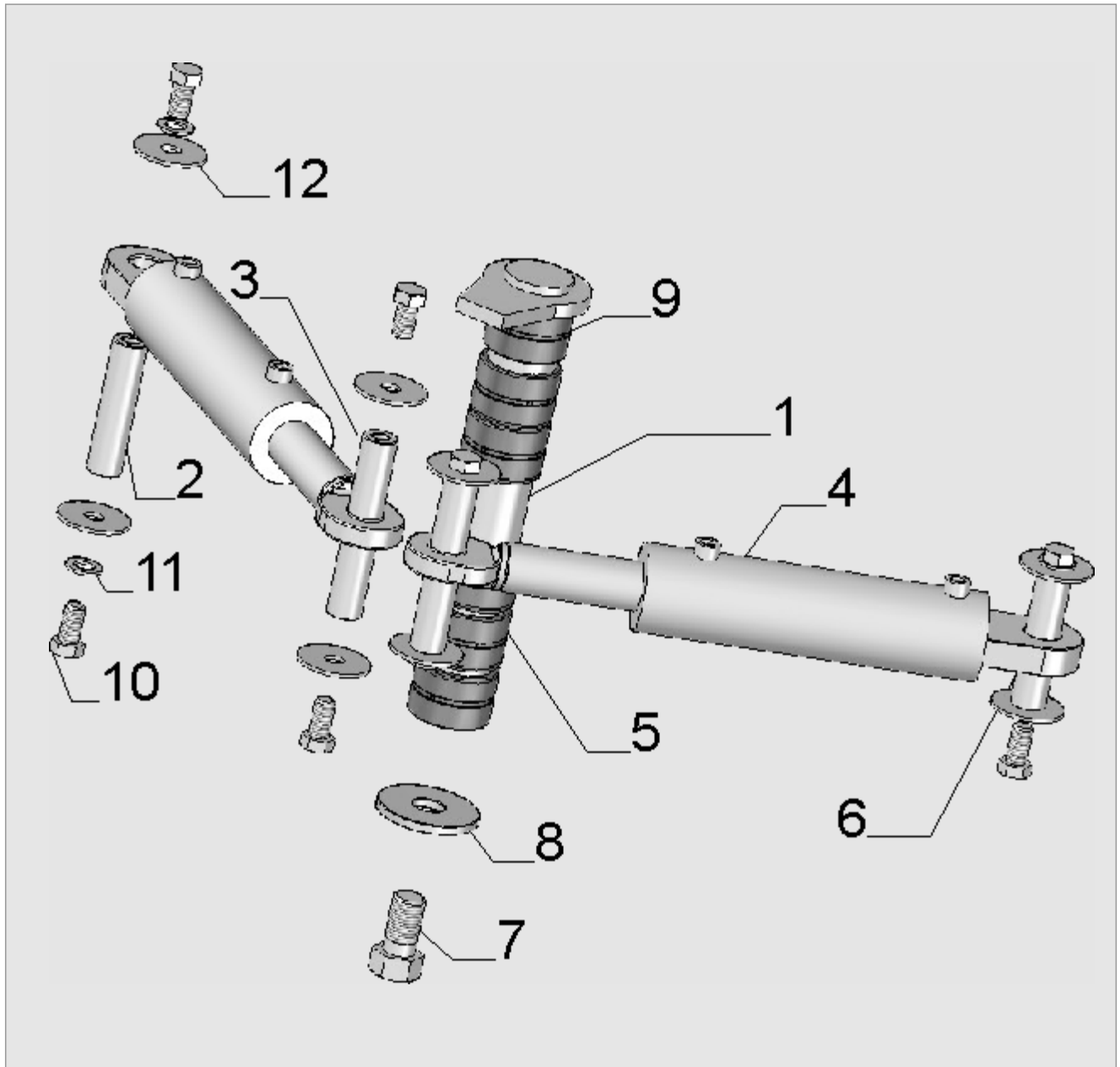
TPS30-HD 30t-40t



Tradename	Width	Weight	Volume	Price
	(mm)	(kg)	(liters)	DKK
BU-TPS30-2000-HD	2000	1290	1450	60158
BU-TPS30-2200-HD	2200	1400	1590	61904

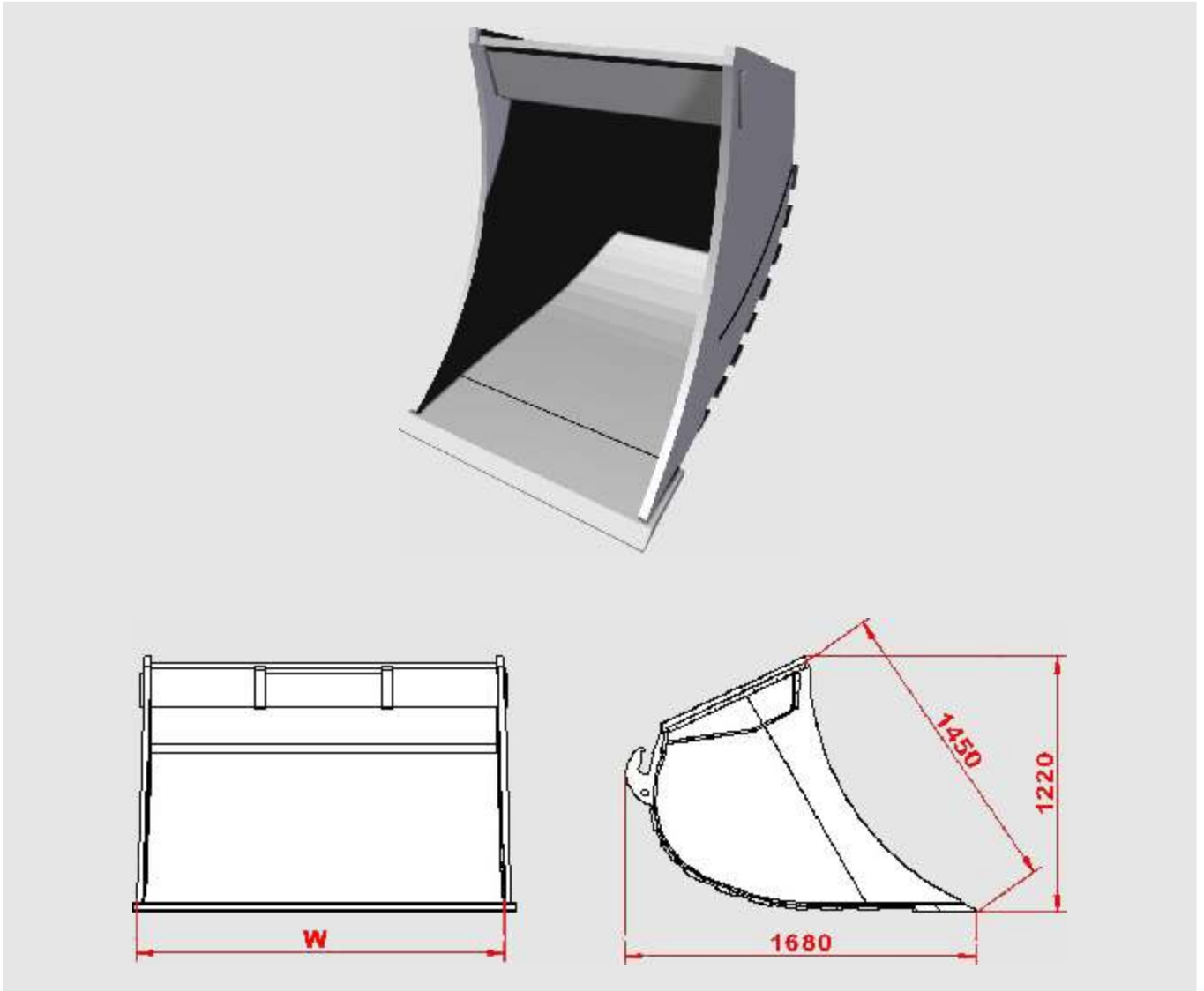
Weight includes QCB-S80

Spare parts for tilt bucket type TPS30-HD



Pos.	Part number	Designation	Quantity
1	BU-SW-70460-M33	Main shaft	1
2	BU-SW-35145-M20	Cylinder shaft	2
3	BU-SW-35195-M20	Cylinder shaft	2
4	BU-SIL-HYD-DW-OB-50-80-200	Cylinder 50-80-200	2
5	BU-UCHO-SIL-GK35GR	Ear of the cylinder	2
6	BU-UCHO-SIL-GF35GR	Ear of the cylinder	2
7	M33x60	Bolt M33x60	1
8	BU-POD-105/34-10	Washer 105/34-10	1
9	BU-TUL-WYS-70x85x70 B3	Bushing 70x85x70 B3	6
10	M20x40	Bolt M20x40	8
11	POD-M20	Washer M20	8
12	BU-POD-75/21-5	Washer -75/21-5	8
13	POD-M33	Washer M33	1

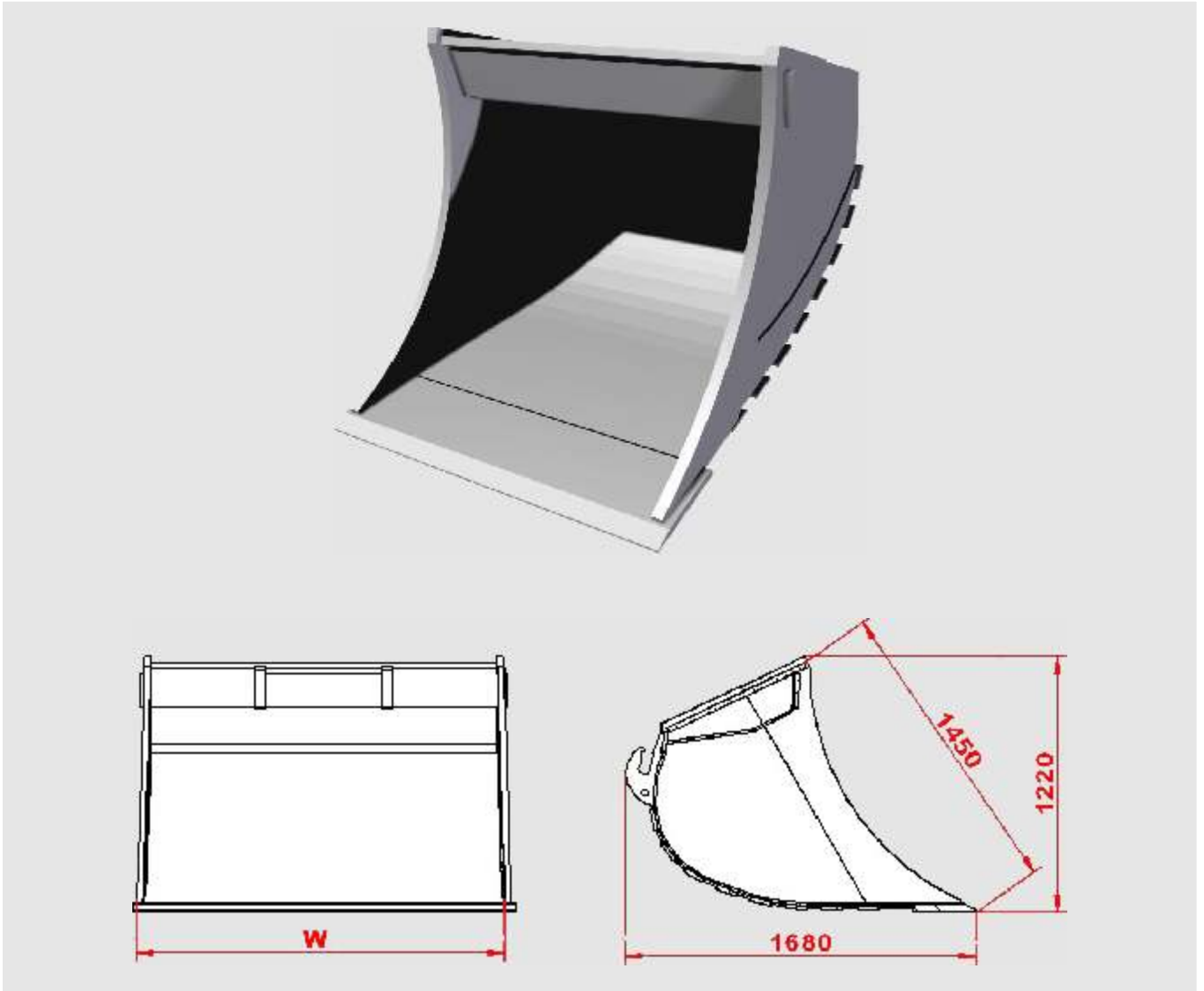
KS35 30t-40t



Tradename	Width	Weight	Volume	Price
	(mm)	(kg)	(liters)	DKK
BU-KS35-800	800	936	820	28454
BU-KS35-1000	1000	1120	1100	31001
BU-GS35-1200	1200	1395	1415	33549

Weight includes QCB-S80

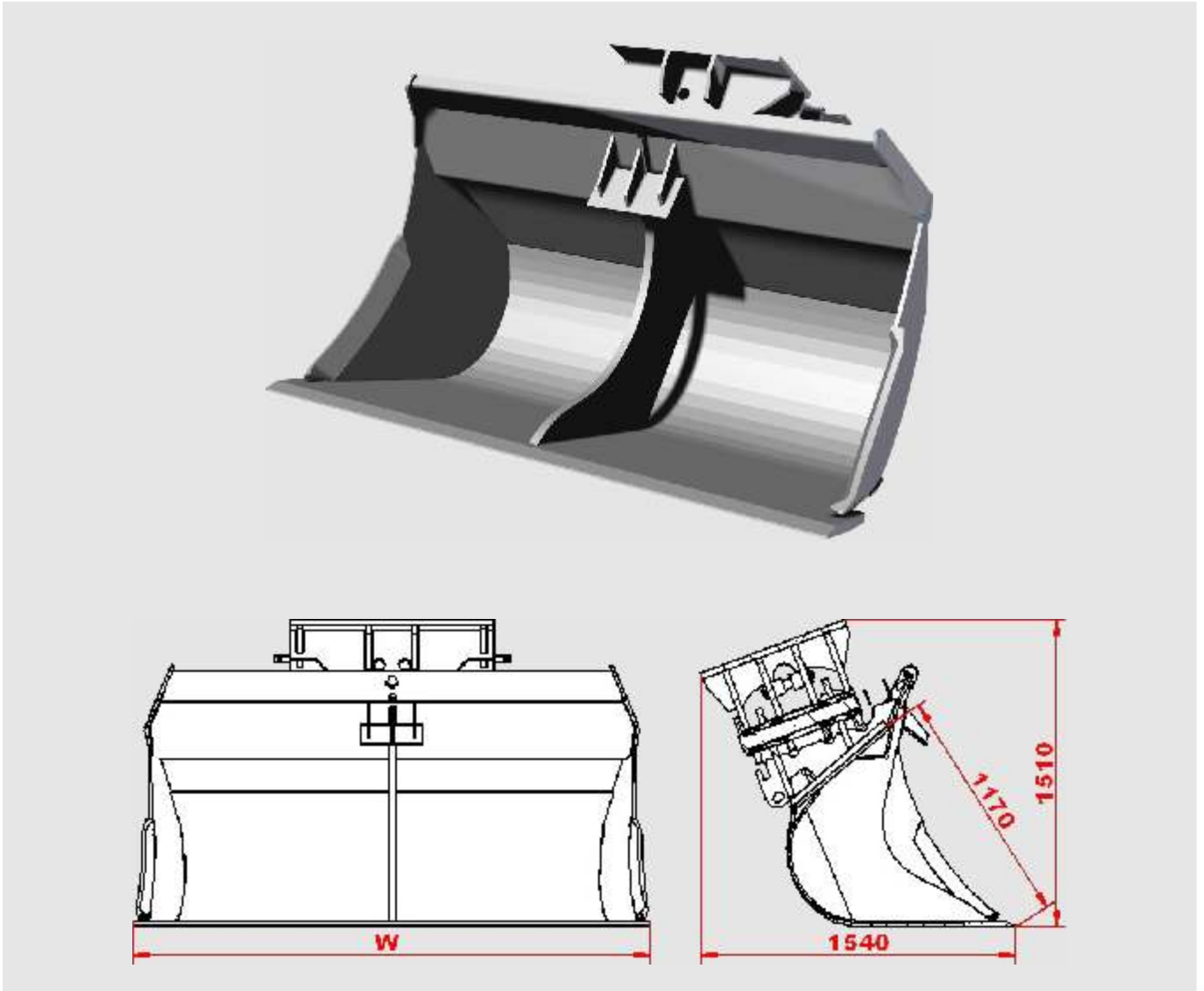
GS35 30t-40t



Tradename	Width	Weight	Volume	Price
	(mm)	(kg)	(liters)	DKK
BU-GS35-1400	1400	1475	1710	36098
BU-GS35-1500	1500	1515	1855	37380
BU-GS35-1600	1600	1560	2000	38643
BU-GS35-1700	1700	1595	2145	39917
BU-GS35-1800	1800	1640	2290	41198

Weight includes QCB-S80

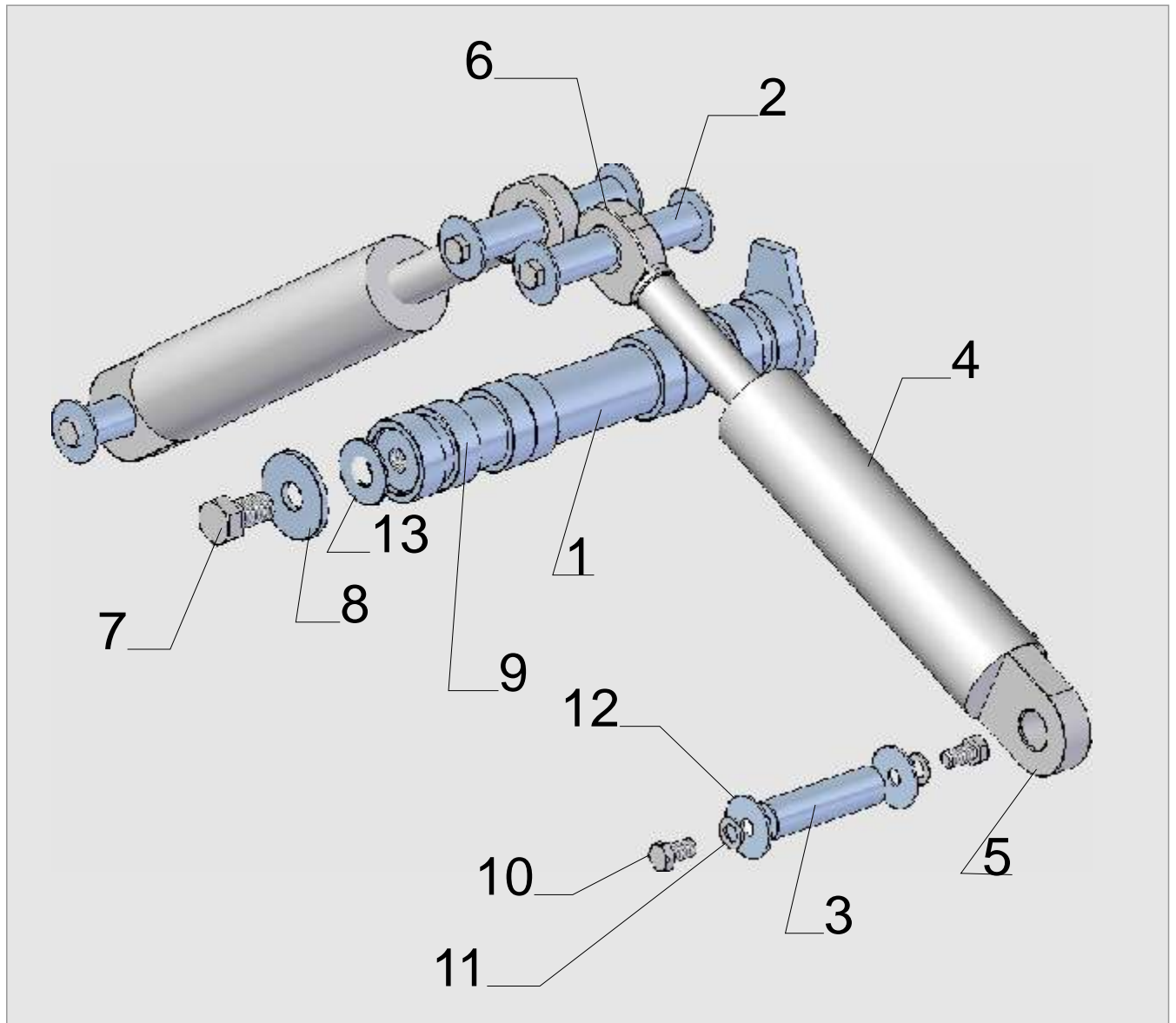
TPS35-HD 30t-40t



Tradename	Width	Weight	Volume	Price
	(mm)	(kg)	(liters)	DKK
BU-TPS35-2300-HD	2300	2240	1860	96686
BU-TPS35-2500-HD	2500	2350	2050	102037

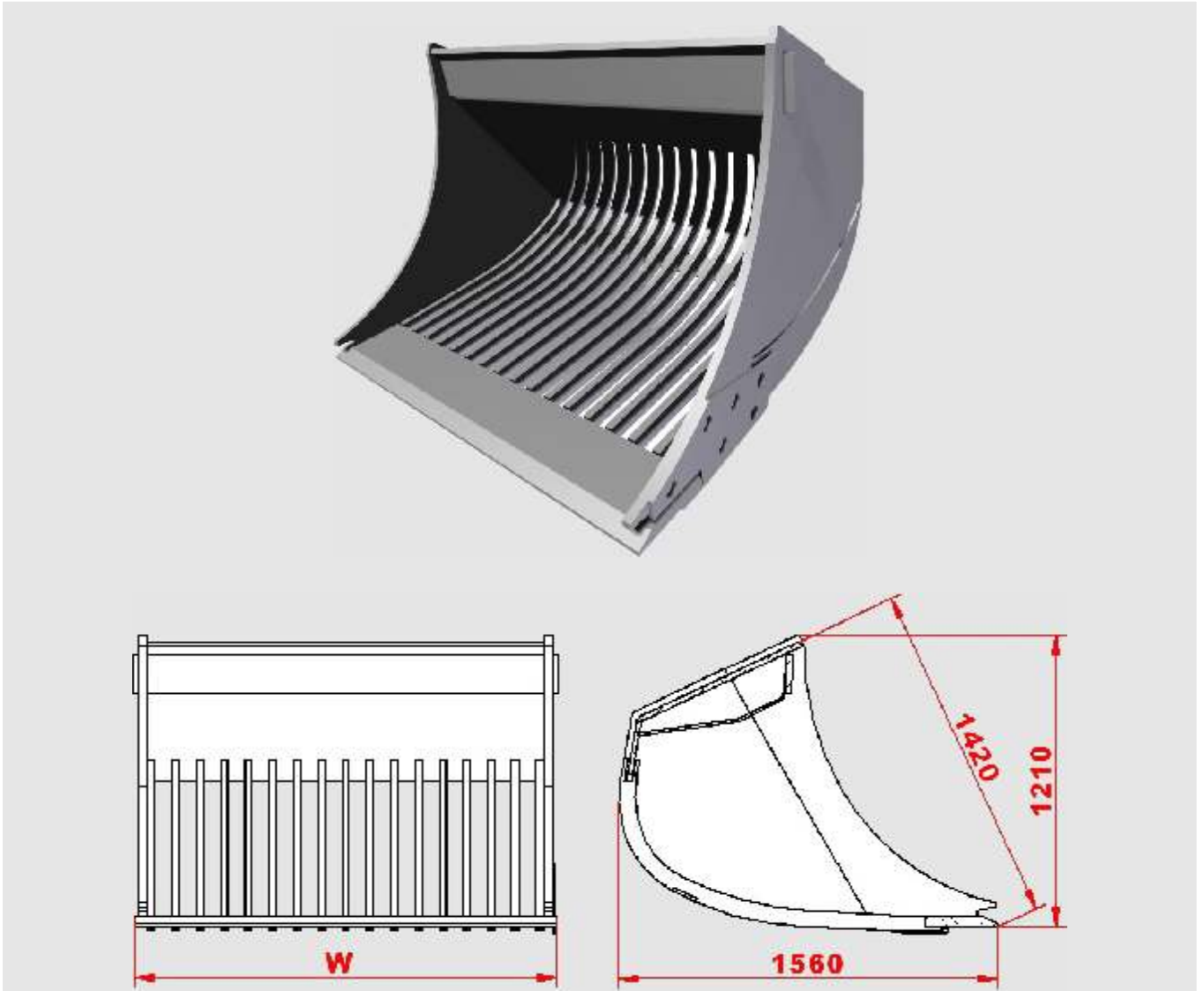
Weight includes QCB-S80

Spare parts for tilt bucket type TPS35



Pos.	Part number	Designation	Quantity
1	BU-SW-80580-M33	Main shaft	1
2	BU-SW-45235-M20	Cylinder shaft	2
3	BU-SW-45170-M20	Cylinder shaft	2
4	BU-SIL-HYD-DW-OB-50-100-300	Cylinder 50-100-300	2
5	BU-UCHO-SIL-GF45GR	Ear of the cylinder	2
6	BU-UCHO-SIL-GK45GR	Ear of the cylinder	2
7	M33x60	Bolt M33x60	1
8	BU-POD-105/34-10	Washer 105/34-10	1
9	BU-TUL-80X99X35 B3	Bushing	8
10	M20x40	Bolt M20x40	8
11	POD-M20	Washer M20	8
12	BU-POD-75/21-5	Washer 75/21-5	8
13	BU-POD-80/34-5	Washer 80/34-5	1
	POD-M33	Washer M33	1

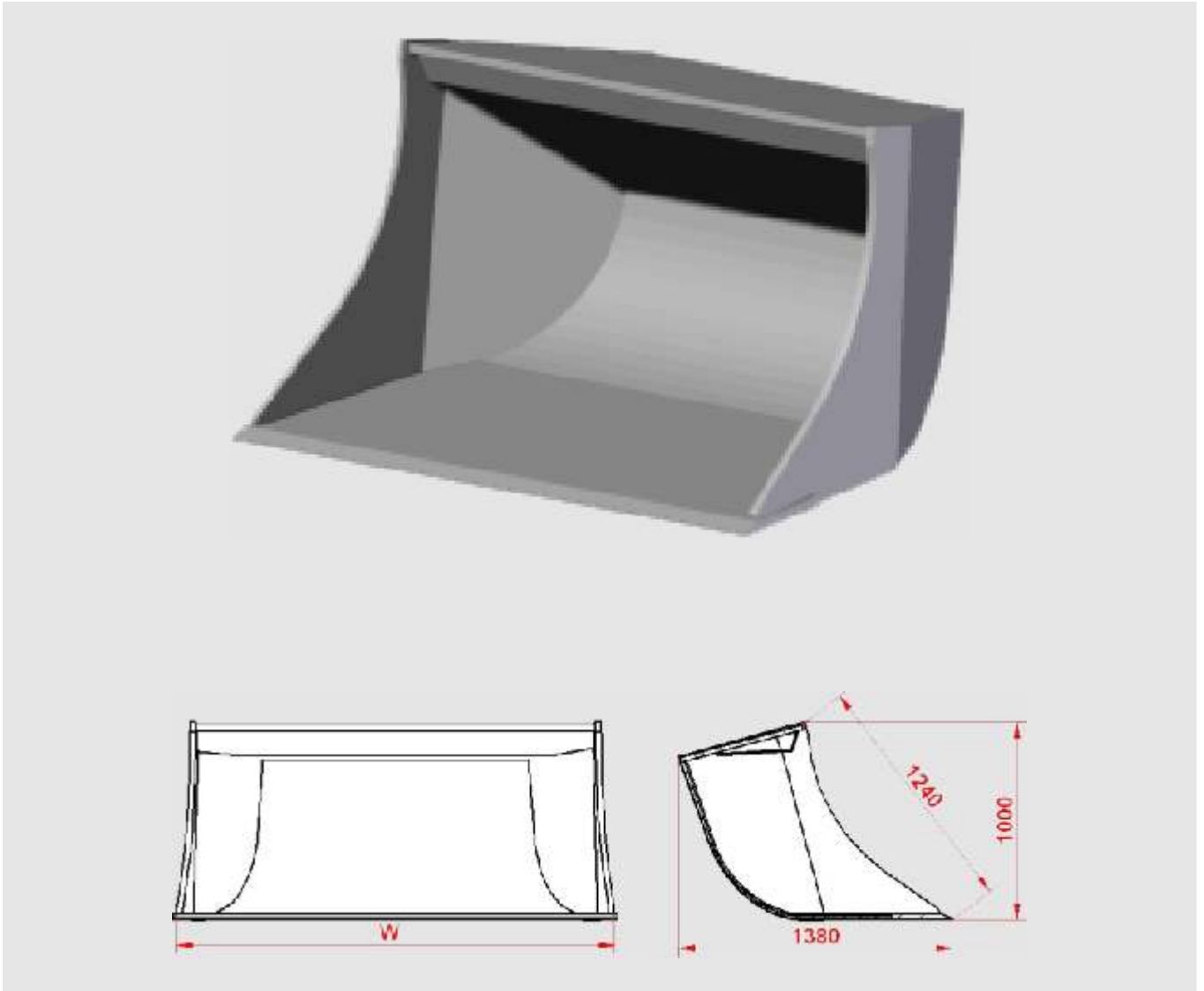
TRS35 30t-40t



Tradename	Width	Weight	Volume	Price
	(mm)	(kg)	(liters)	DKK
BU-TRS35-1700	1700	1606	2145	48728

Weight includes QCB-S80

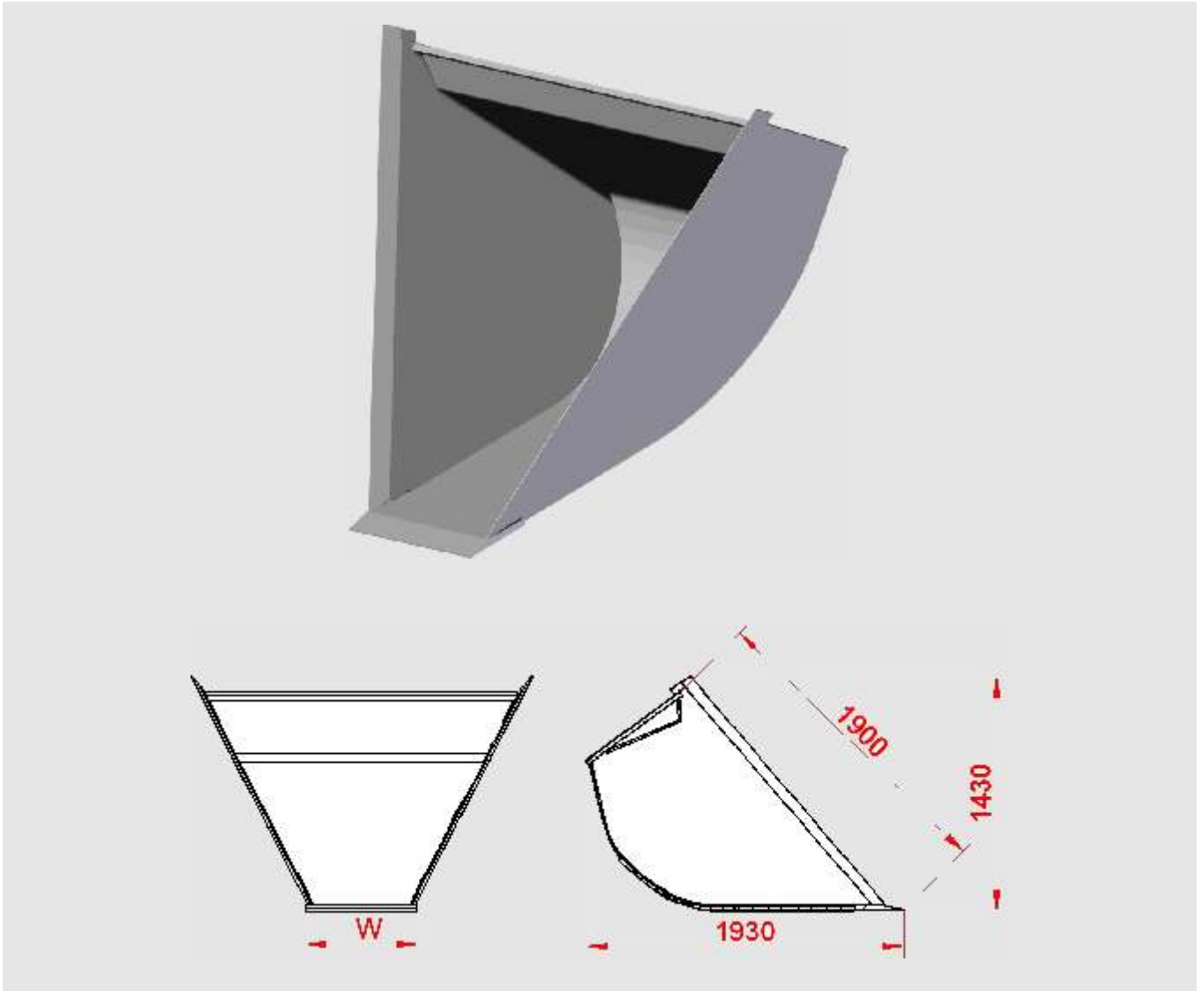
SPS35 30t-40t



Tradename	Width	Weight	Volume	Price
	(mm)	(kg)	(liters)	DKK
BU-SPS35-2000	2000	970	1700	36395
BU-SPS35-2200	2200	1180	1950	38942

Weight includes QCB-S80

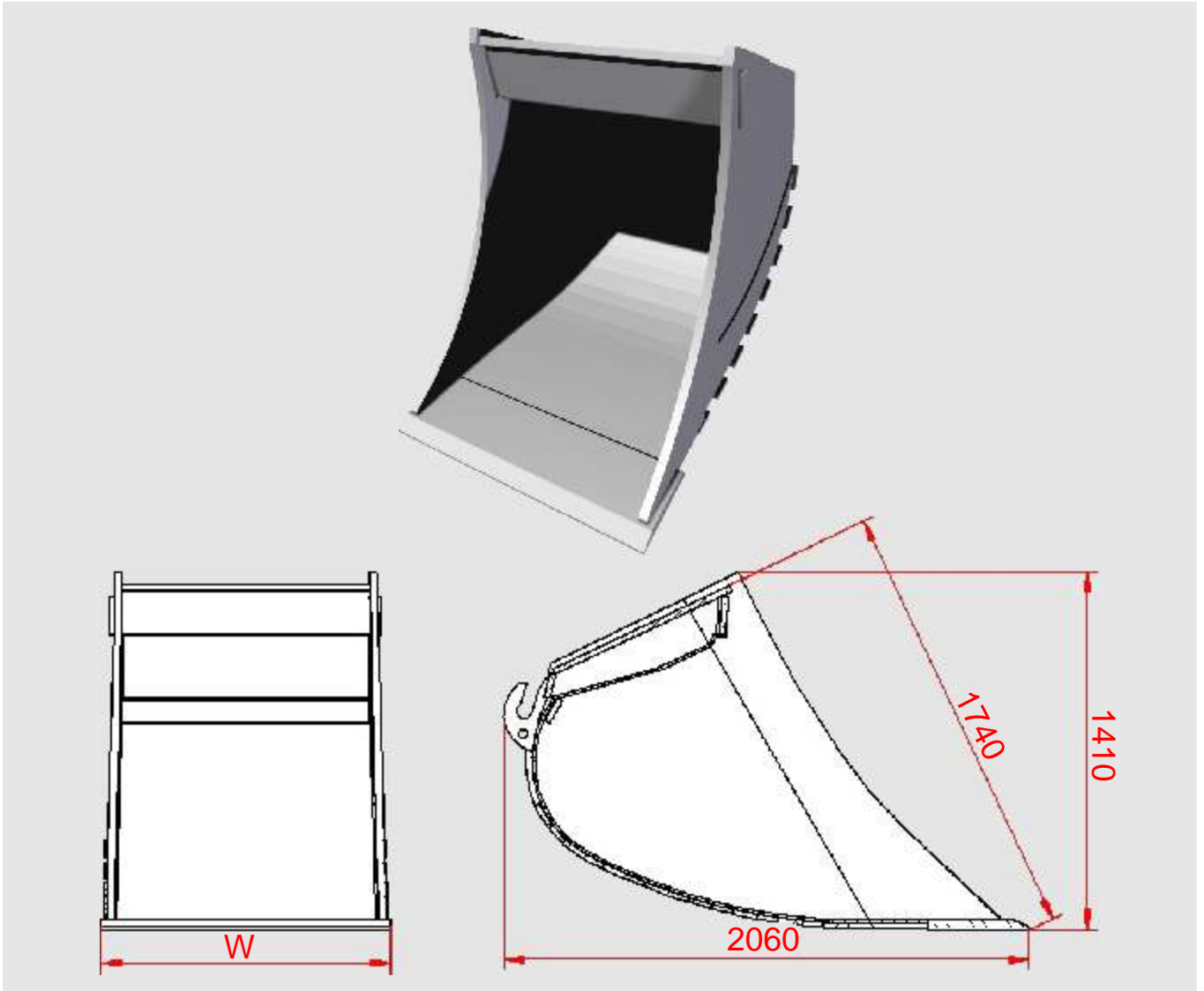
PFS35 30t-40t



Tradename	Width	Weight	Volume	Price
	(mm)	(kg)	(liters)	DKK
BU-PFS35-600/2100	600	1345	2480	

Weight includes QCB-S80

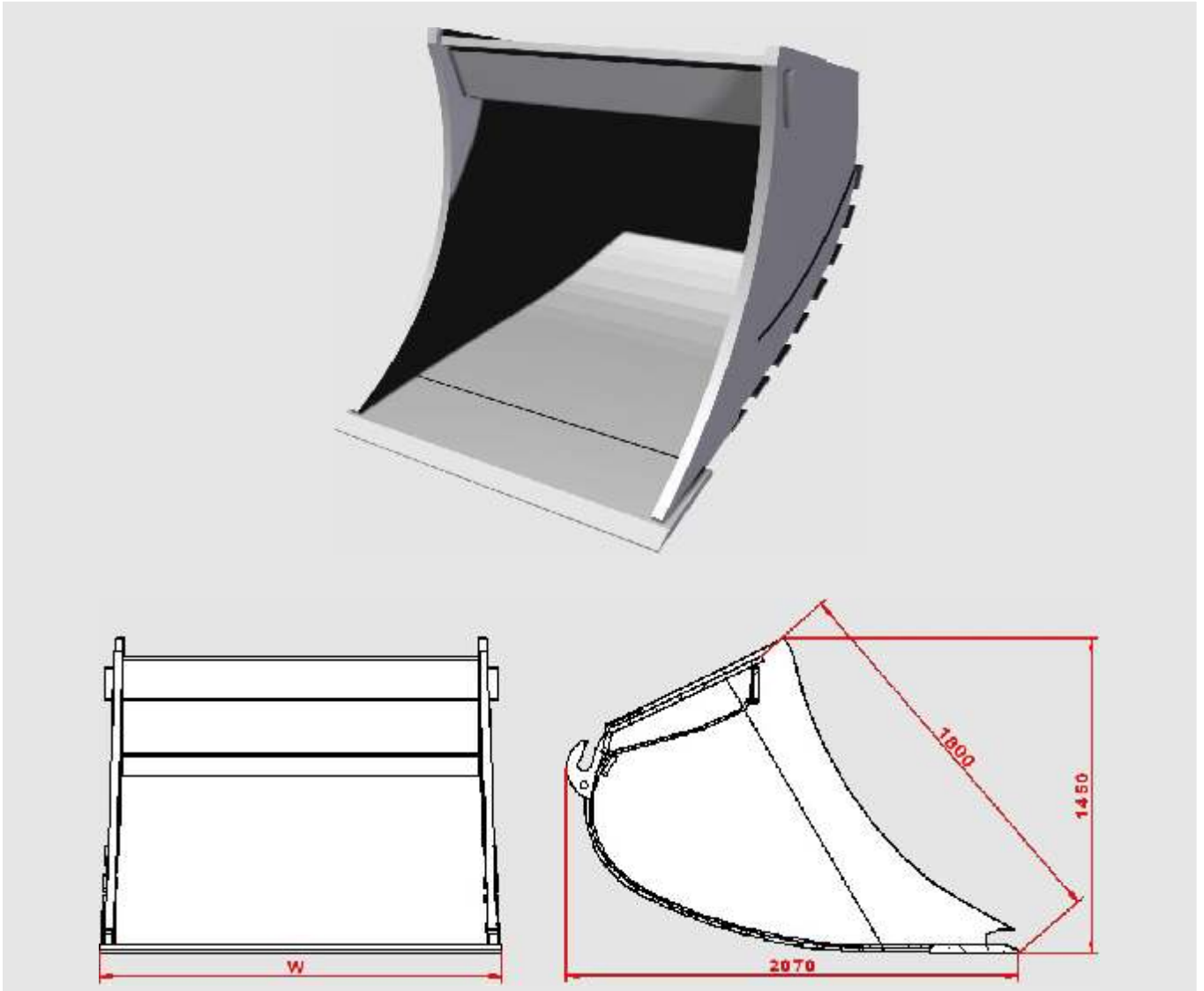
KS50 42t-55t



Tradename	Width	Weight	Volume	Price
	(mm)	(kg)	(liters)	DKK
BU-KS50-600	600	1312	1390	41660
BU-KS50-800	800	1455	1510	42338
BU-KS50-1100	1100	1573	1700	43489

Weight includes QCB-S80

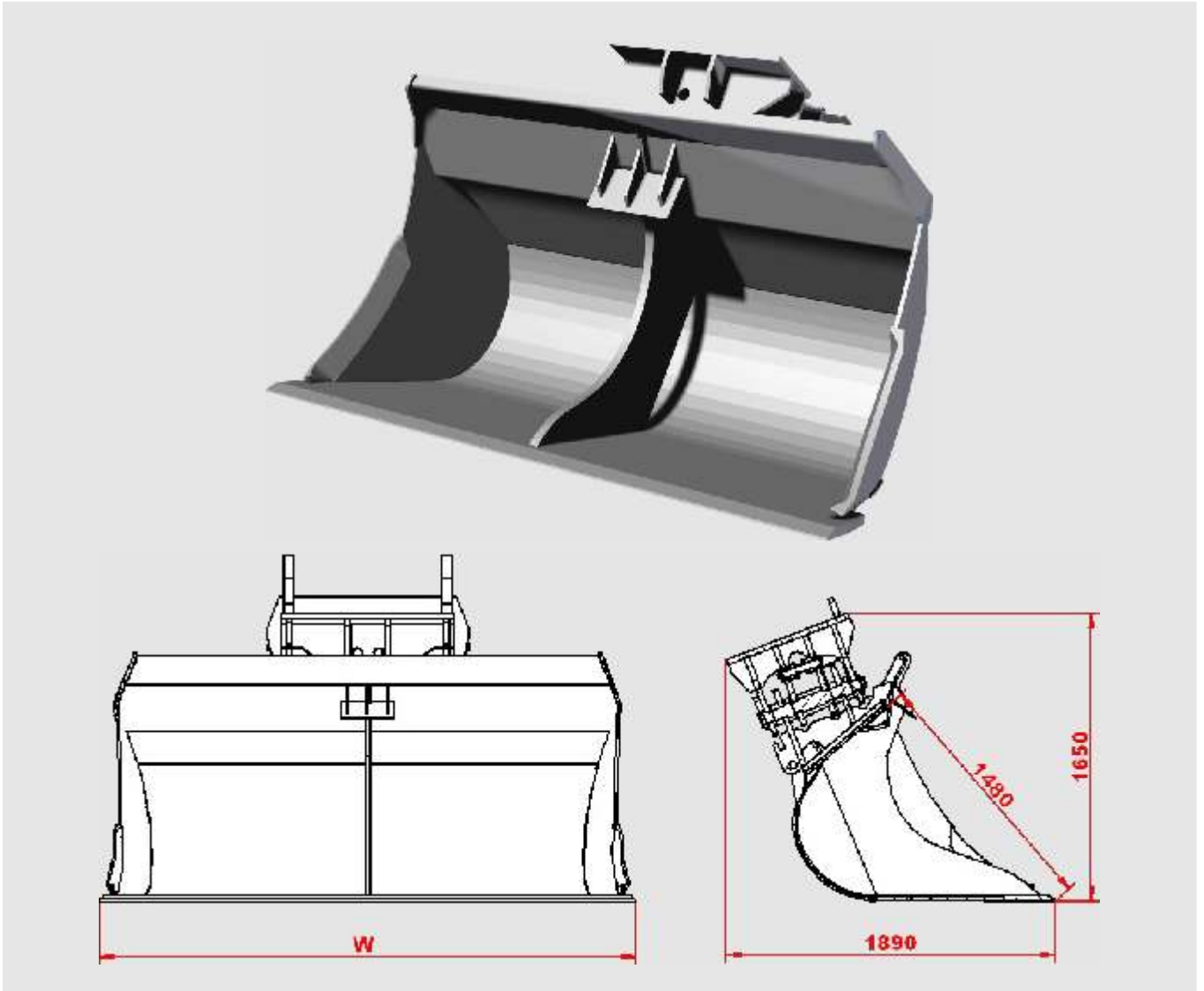
GS50 42t-55t



Tradename	Width	Weight	Volume	Price
	(mm)	(kg)	(liters)	DKK
BU-GS50-1500	1500	1800	2460	63642
BU-GS50-1800	1800	2160	3080	68624
BU-GS50-2000	2000	2365	3490	71946
BU-GS50-2200	2200	2570	3900	75267

Weight includes QCB-S80

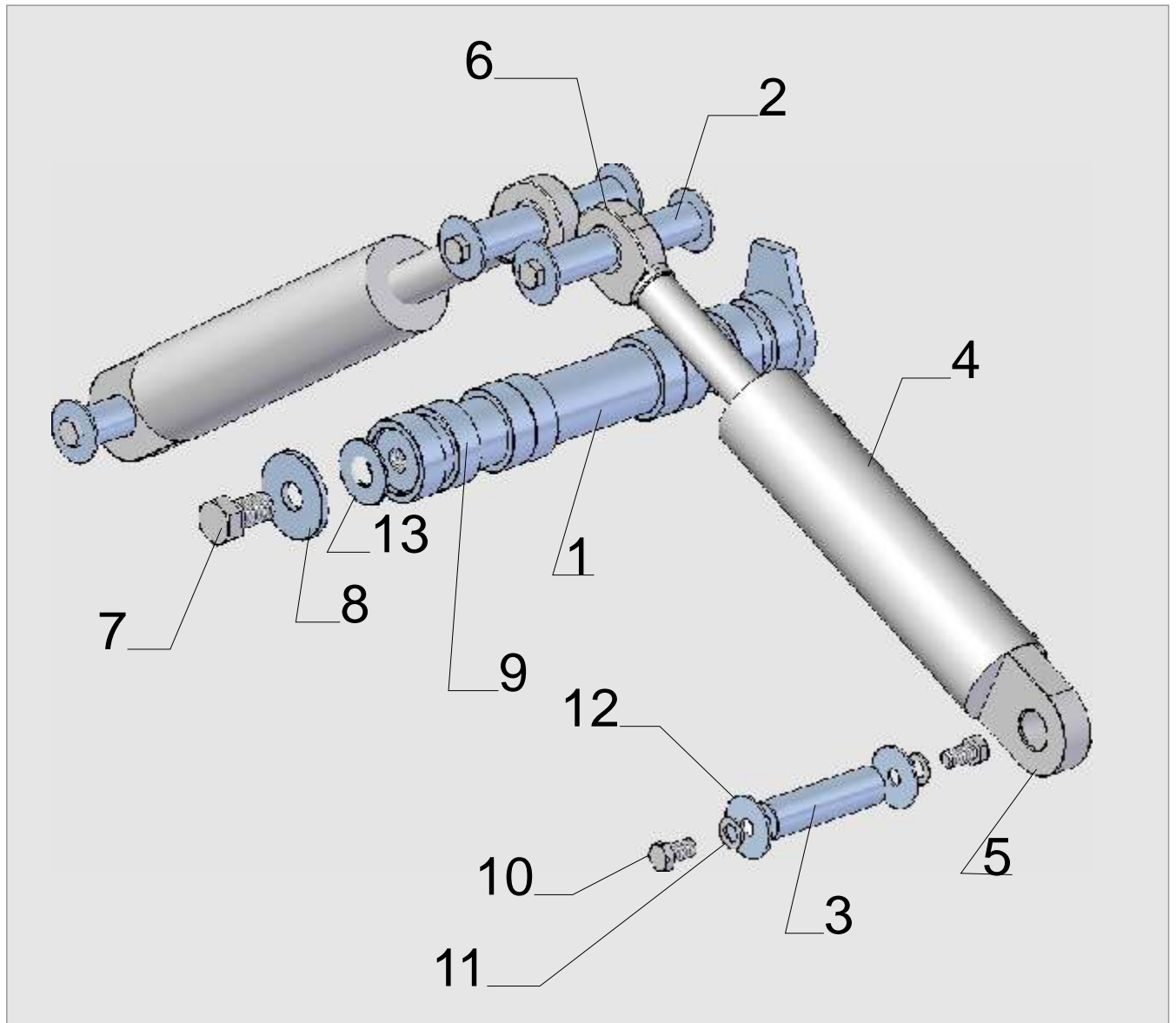
TPS50-L 42t-55t



Tradename	Width	Weight	Volume	Price
	(mm)	(kg)	(liters)	DKK
BU-TPS50-3000-L	3000	2980	3880	127626

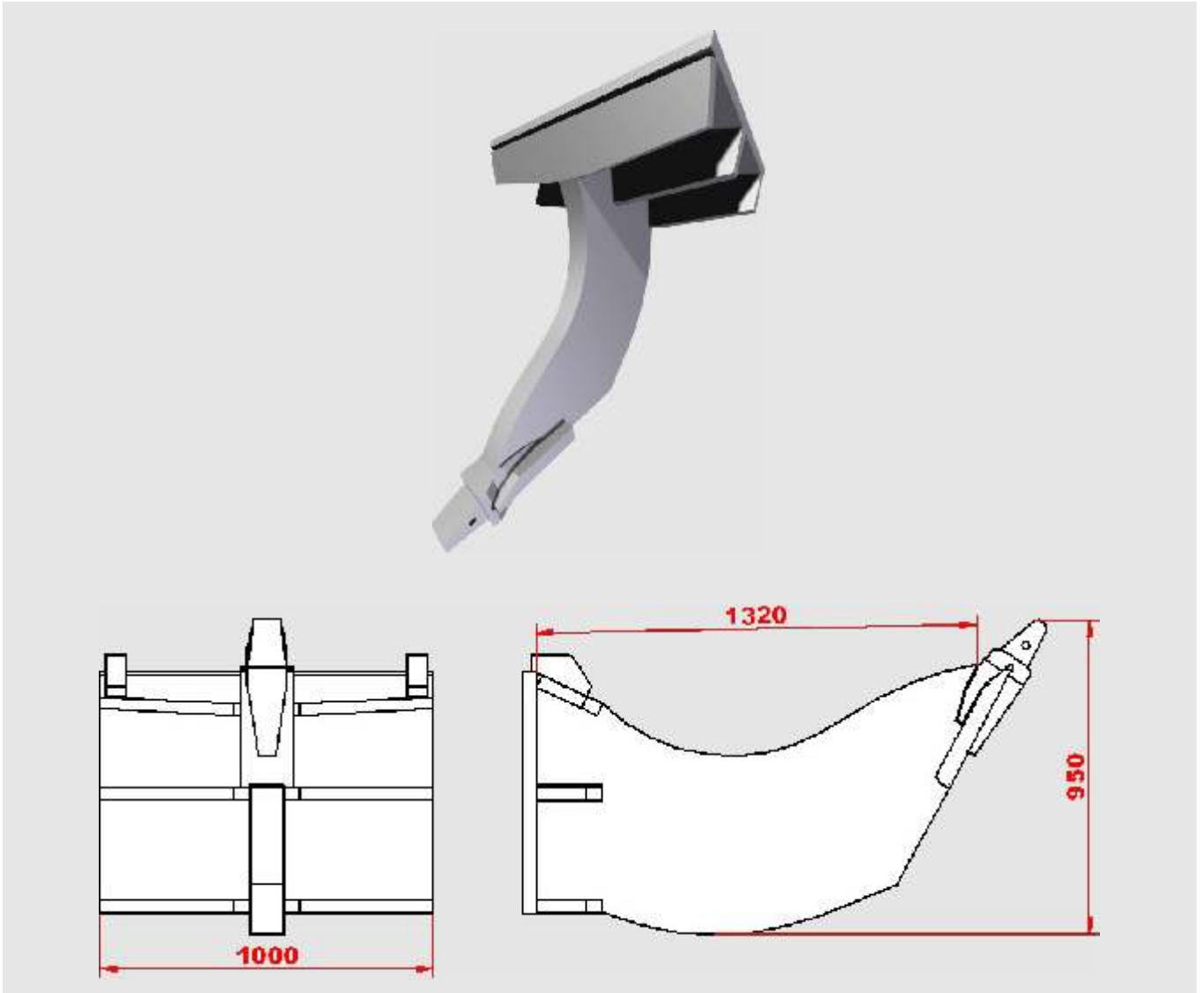
Weight includes QCB-CW55

Spare parts for tilt bucket type TPS50-L



Pos.	Part number	Designation	Quantity
1	BU-SW-80580-M33	Main shaft	1
2	BU-SW-45235-M20	Cylinder shaft	2
3	BU-SW-45170-M20	Cylinder shaft	2
4	BU-SIL-HYD-DW-OB-50-100-300	Cylinder 50-100-300	2
5	BU-UCHO-SIL-GF45GR	Ear of the cylinder	2
6	BU-UCHO-SIL-GK45GR	Ear of the cylinder	2
7	M33x60	Bolt M33x60	1
8	BU-POD-105/34-10	Washer 105/34-10	1
9	BU-TUL-80X99X35 B3	Bushing	8
10	M20x40	Bolt M20x40	8
11	POD-M20	Washer M20	8
12	BU-POD-75/21-5	Washer 75/21-5	8
13	BU-POD-80/34-5	Washer 80/34-5	1
	POD-M33	Washer M33	1

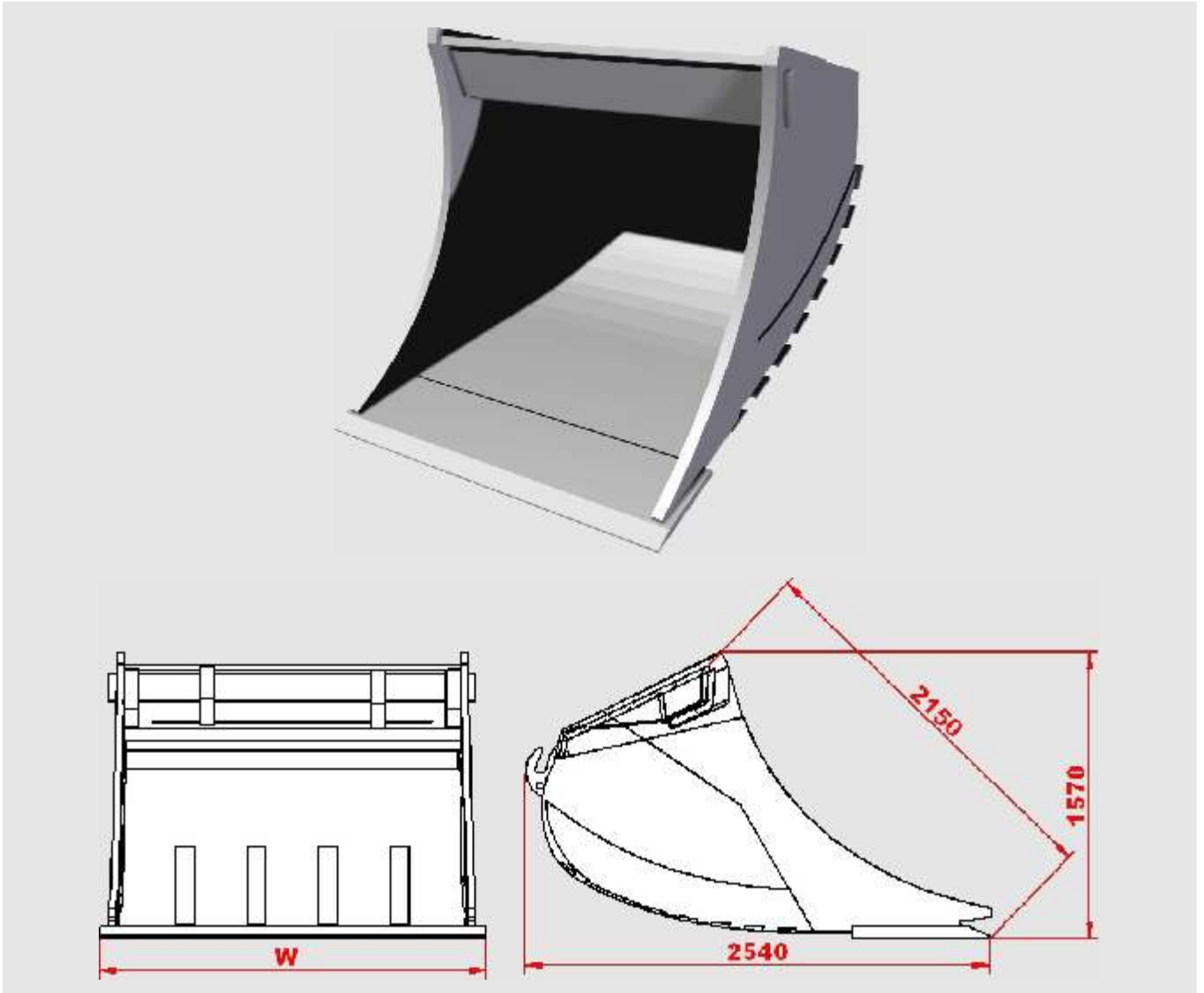
GRT50T 42t-55t



Tradename	Width	Weight	Volume	Price
	(mm)	(kg)	(liters)	DKK
BU-GRT50T-1500	1050	1240	-	65282

Weight includes QCB-S80

GS80 58t-85t

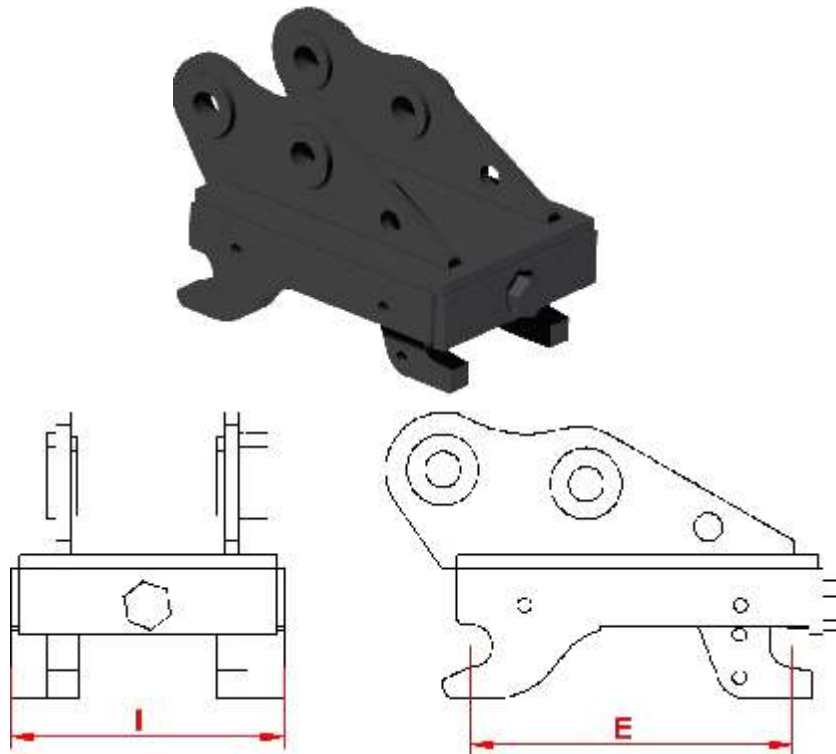


Tradename	Width	Weight	Volume	Price
	(mm)	(kg)	(liters)	DKK
BU-GS80-2000	2000	2800	4700	165623

Weight includes QCB-CW70

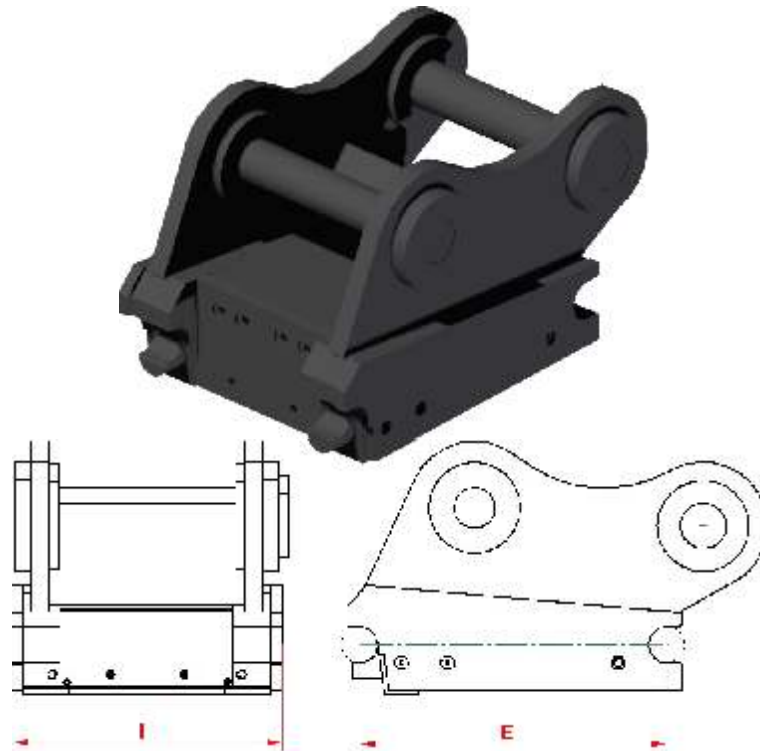


Mechanic Quick Hitch Connectors for Excavator



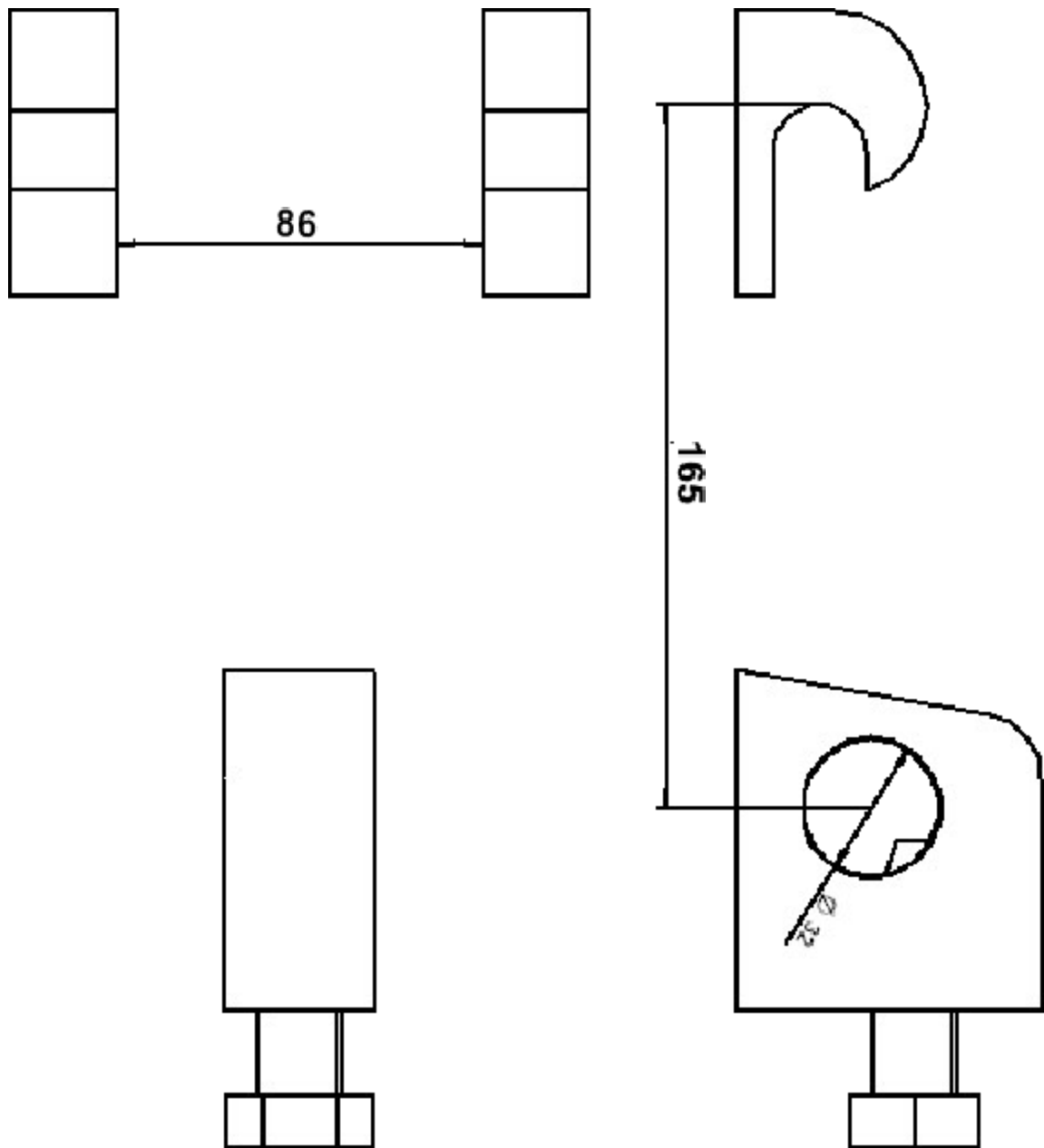
Tradename	Axle diameter (mm)	Width I (mm)	Length E (mm)	Price DKK
QHC-H-MH30/195	30	195	200	2256
QHC-H-S30/150	30	150	200	
QHC-H-S30/180	30	180	230	
QHC-H-MH40/250	40	250	250	
QHC-H-S40/200	40	200	300	
QHC-H-S40/240	40	240	300	
QHC-H-FL45/HYDREMA	45	300	330	
QHC-H-S45	45	290	430	
QHC-H-S50	50	270	430	

Hydraulic Quick Hitch Connectors for Excavator



Tradename	Axle diameter (mm)	Width I (mm)	Lenght E (mm)	Price DKK
QHC-H-MH30/195	30	195	200	
QHC-H-S30/150	30	150	200	
QHC-H-S30/180	30	180	230	
QHC-H-MH40/250	40	250	250	
QHC-H-S40/200	40	200	300	
QHC-H-S40/240	40	240	300	
QHC-H-FL45/HYDREMA	45	300	330	
QHC-H-S45	45	290	430	
QHC-H-S50	50	270	430	
QHC-H-S60	60	340	480	
QHC-H-S70	70	450	600	
QHC-H-S80	80	590	670	
QHC-H-S90	90	750	750	
QHC-H-S100	100	750	900	

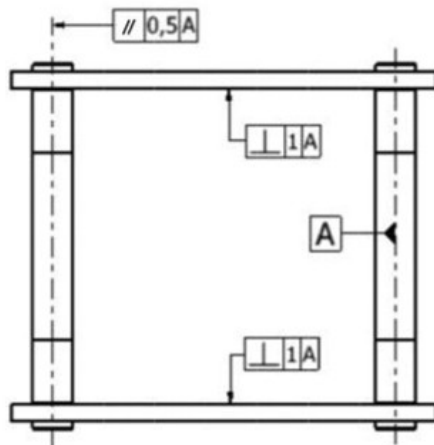
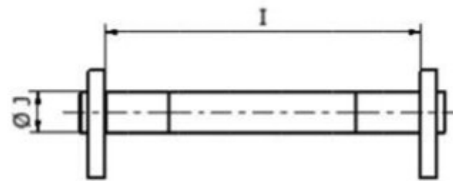
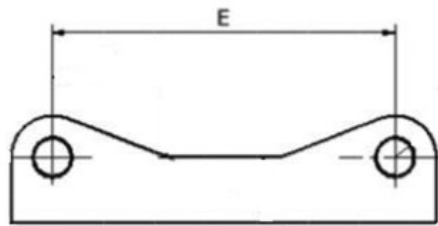
MA Series Quick Couplers Brackets



Tradename	Axle diameter (mm)	Width (mm)	Lenght (mm)	Price DKK
QHC-H-MH30/195	32	86	165	547

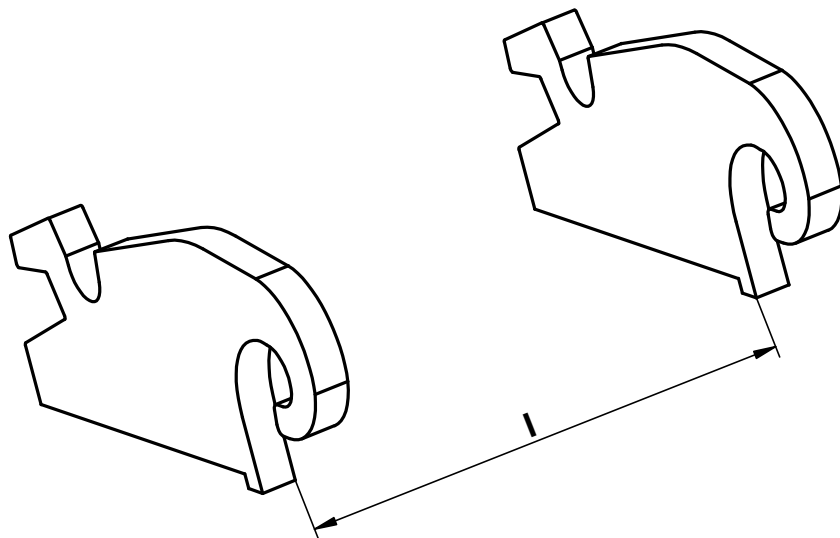
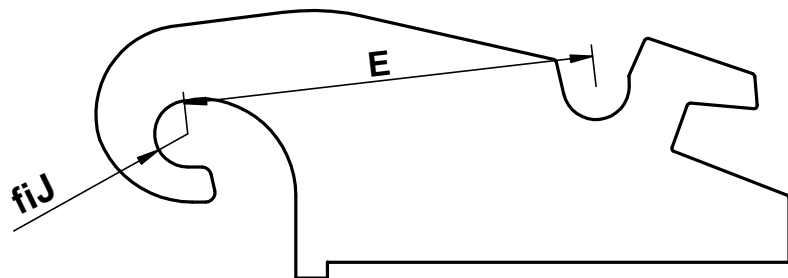
Symmetrical Quick Couplers Brackets

Quick Coupler	Width I (mm)	Shaft E (mm)	Axle diameter J (mm)	Price DKK
QCB-MH30/195	195	200	30	601
QCB-S30/150	152	200	30	587
QCB-S30/180	182	230	30	
QCB-MH40/250	250	250	40	
QCB-S40/200	202	300	40	668
QCB-S40/240	242	300	40	
QCB-S45	292	430	45	
QCB-FL45/Hydrema	300	330	45	814
QCB-S50	272	430	50	
QCB-S60	342	480	60	1709
QCB-S70	452	600	70	2243
QCB-S80	592	670	80	2937
QCB-S90	752	750	90	
QCB-S100	752	900	100	

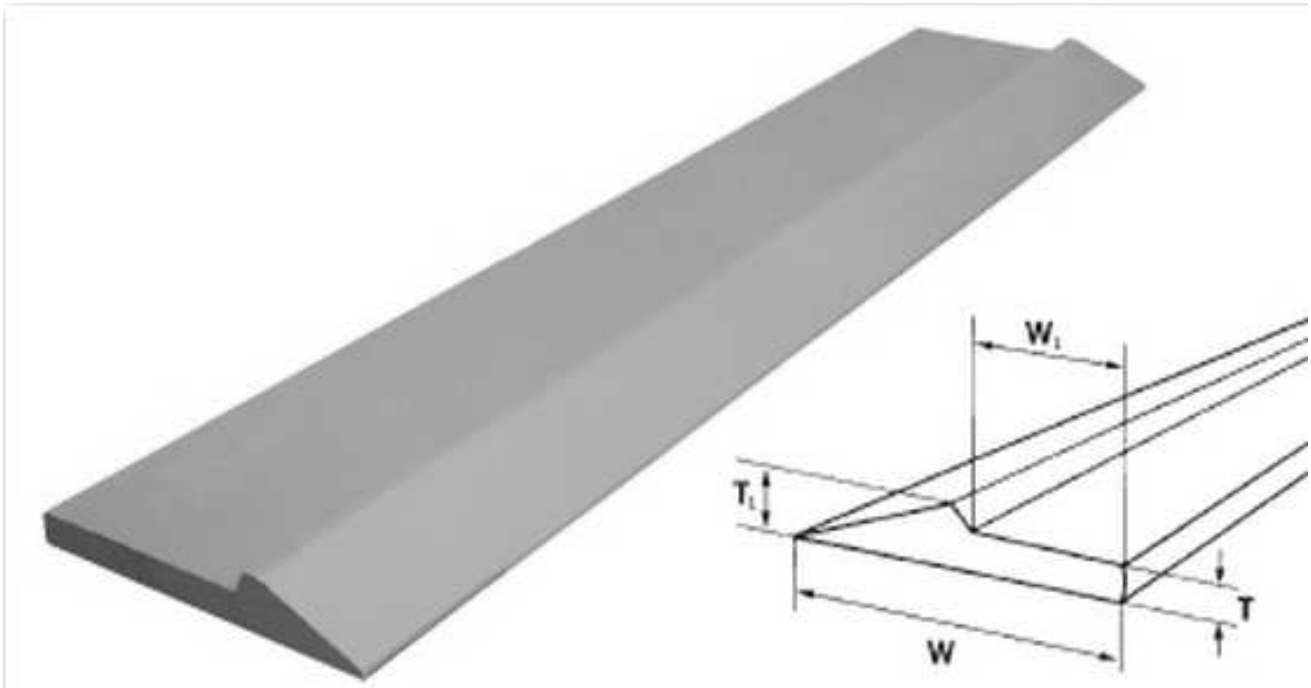


CW Series Quick Couplers Brackets

Quick Coupler	Plate thickness (mm)	Width I (mm)	Shaft E (mm)	Axle diameter J (mm)	Price DKK
QCB-CW10	25	320	300	50	
QCB-CW10	30	320	300	50	
QCB-CW20	30	560	475	60	
QCB-CW20S	30	430	475	60	
QCB-CW30	35	560	475	60	
QCB-CW30S	35	430	475	60	
QCB-CW40	40	560	475	60	
QCB-CW40S	40	430	475	60	
QCB-CW40	50	560	475 </td <td>60</td> <td></td>	60	
QCB-CW45	50	700	570	90	8050
QCB-CW45S	50	560	570	90	8050
QCB-CW55	60	840	650	105	10013
QCB-CW55S	60	570	650	105	10013
QCB-CW70	70	850	875	130	27541

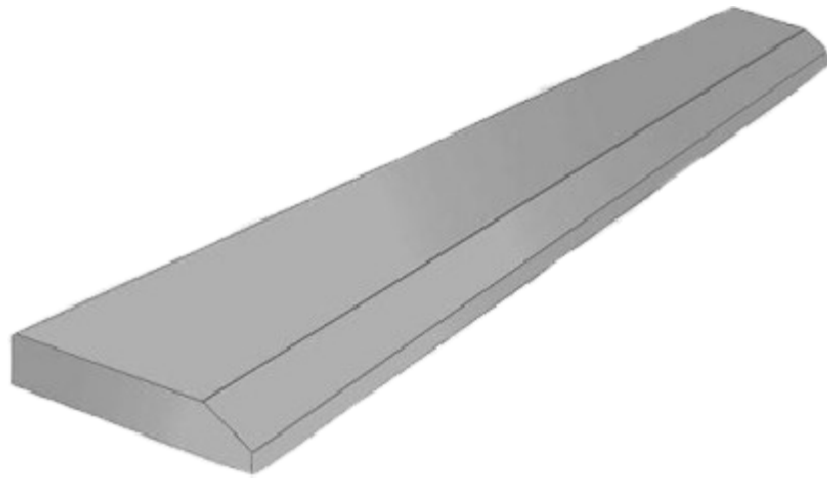


HALF-ARROW HB500



Tradename W	T	W1	T1	Price for 1mb (welded to the bucket)	Price for 1mb (Spare part)
	(mm)	(mm)	(mm)	DKK	DKK
BU-LEM-HA-101x11	11	46	21	334	246
BU-LEM-HA-151x16	16	68	32	614	526
BU-LEM-HA-203x19	19	127	32	1202	761

BLADES HB500















Tradename	Price for 1mb (spare parts) DKK
BU-LEM-12x110	283
BU-LEM-16x150	320
BU-LEM-20x150	384
BU-LEM-20x200	523
BU-LEM-25x200	654
BU-LEM-30x250	1031
BU-LEM-30x300	1274
BU-LEM-35x300	1498
BU-LEM-40x300	1690







CAT J-series Teeth

Picture	Type	Application	Pocket Size	Part No.	Price DKK (Spare parts)
	Long	For use in most general applications. Good resistance and penetration.	2.0"	BU-ZAB-1U3202	
	Long	For use in most general applications. Good resistance and penetration.	2,5"	BU-ZAB-1U3252	
	Long	For use in most general applications. Good resistance and penetration.	3.0"	BU-ZAB-1U3302	
	Long	For use in most general applications. Good resistance and penetration.	3.5"	BU-ZAB-1U3352	
	Long	For use in most general applications. Good resistance and penetration.	4"	BU-ZAB-7T3402	
	Long	For use in most general applications. Good resistance and penetration.	4.5"	BU-ZAB-9W 8452	
	Flare (wide)	Applications that require a clean floor/less spillage	2.0"	BU-ZAB-1099200	
	Flare (wide)	Applications that require a clean floor/less spillage	2,5"	BU-ZAB-3G8250	
	Flare (wide)	Applications that require a clean floor/less spillage	3.0"	BU-ZAB-4T1300	
	Flare (wide)	Applications that require a clean floor/less spillage	3.5"	BU-ZAB-8J3350	
	Flare (wide)	Applications that require a clean floor/less spillage	4"	BU-ZAB-7T3400	
	Flare (wide)	Applications that require a clean floor/less spillage	4.5"	BU-ZAB-8J1450	




CAT J-series Pin and Retainer

Picture	Type	Pocket Size	Part No.	Price DKK (Spare parts)
	Standard Pin	2.0"	BU-BLOK-8E6208	
	Standard Pin	2,5"	BU-BLOK-8E6258	
	Standard Pin	3.0"	BU-BLOK-1073308	
	Standard Pin	3.5"	BU-BLOK-1140358	
	Heavy Duty Pin	4"	BU-BLOK-1167408	
	Standard Pin	4.5"	BU-BLOK-6Y2527	
	Standard Retainer	2.0"	BU-BLOK-RETAINER-8E6209	
	Standard Retainer	2,5"	BU-BLOK-RETAINER-8E6259	
	Standard Retainer	3.0"	BU-BLOK-RETAINER-8E6259	
	Standard Retainer	3.5"	BU-BLOK-RETAINER-8E6359	
	Heavy Duty Retainer Assembly	4"	BU-BLOK-RETAINER-1167409	
	Standard Retainer	4.5"	BU-BLOK-RETAINER-8E6359	

CAT J-series Adapters

Picture	Pocket Size	Part No.	Price DKK	
			welded to the bucket	spare parts
	2.0"	BU-ADAPTER-6Y3224		
	2,5"	BU-ADAPTER-6Y3254		
	3.0"	BU-ADAPTER-8E9490		
	3.5"	BU-ADAPTER-3G8354		
	4"	BU-ADAPTER-6I6404		
	4.5"	BU-ADAPTER-8E6464		

Combi Parts Teeth

Picture	Type	Application	Part No.		Price DKK (spare part)
	Long	Good penetration and excellent wear resistance from a traditional, chisel shaped tooth. Widely used for general excavation in tough conditions.	18129	BU-ZAB-T29 (MIDI) (18129)	
	Long	Good penetration and excellent wear resistance from a traditional, chisel shaped tooth. Widely used for general excavation in tough conditions.	11115	BU-ZAB-T5 (C1) (11115)	
	Long	Good penetration and excellent wear resistance from a traditional, chisel shaped tooth. Widely used for general excavation in tough conditions.	12115	BU-ZAB-T5 (C2) (12115)	
	Long	Good penetration and excellent wear resistance from a traditional, chisel shaped tooth. Widely used for general excavation in tough conditions.	13115	BU-ZAB-T5 (C3) (13115)	
	Long	Good penetration and excellent wear resistance from a traditional, chisel shaped tooth. Widely used for general excavation in tough conditions.	14115	BU-ZAB-T5 (C4) (14115)	
	Flare (wide)	Converts a bucket with teeth into a straight-edged cleaning bucket. Ideal for backfilling and cleaning.	11116	BU-ZAB-T6 (C1) (11116)	
	Flare (wide)	Converts a bucket with teeth into a straight-edged cleaning bucket. Ideal for backfilling and cleaning.	12126	BU-ZAB-T6 (C2) (12126)	
	Flare (wide)	Converts a bucket with teeth into a straight-edged cleaning bucket. Ideal for backfilling and cleaning.	13126	BU-ZAB-T6 (C3) (13126)	







Combi Parts Adapters

Picture	Pocket Size	Part No.	Price DKK	
			welded to the bucket	spare parts
	18015	BU-ADAPTER-MIDI-A8EB (18015)		
	11002	BU-ADAPTER-A8E (C1) (11002)		
	12008	BU-ADAPTER-A8E (C2) (12008)		
	13008	BU-ADAPTER-A8E (C3) (13008)		
	14008	BU-ADAPTER-A8E (C4) (14008)		



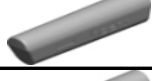

Combi Parts C-LOCK

Picture	Part no.		Price DKK (spare part)
	18306	BU-C-LOCK (Midi) (18306)	
	11306	BU-C-LOCK (C1) (11306)	
	12306	BU-C-LOCK (C2) (12306)	
	13306	BU-C-LOCK (C3) (13306)	
	14306	BU-C-LOCK (C4) (14306)	








Combi Parts Teeth C-REX

Picture	Type	Application	Part No.		Price DKK (spare part)
	Long	Standard tooth with slim design for optimal penetration and durability in general purpose applications.	R10GPE	BU-ZAB-GPE (R10) R10GPE	
	Long	Standard tooth with slim design for optimal penetration and durability in general purpose applications.	R14GPE	BU-ZAB-GPE (R14) R14GPE	
	Long	Standard tooth with slim design for optimal penetration and durability in general purpose applications.	R18GPE	BU-ZAB-GPE (R18) R18GPE	
	Long	Standard tooth with slim design for optimal penetration and durability in general purpose applications.	R23GPE	BU-ZAB-GPE (R23) R23GPE	
	Flare (wide)	An extra-wide tooth for excavating and cleaning – penetration and straight edge performance from a single solution.	R18FE	BU-ZAB-FE (R18) R18FE	
	Flare (wide)	An extra-wide tooth for excavating and cleaning – penetration and straight edge performance from a single solution.	R23FE	BU-ZAB-FE (R23) R23FE	

Combi Parts Locking Pin

Picture	Part no.		Price DKK (spare part)
	R10LP	BU-LP (R10) R10LP	
	R14LP	BU-LP (R14) R14LP	
	R18LP	BU-LP (R18) R18LP	
	R23LP	BU-LP (R23) R23LP	

Combi Parts Adapters C-REX

Picture	Pocket Size	Part No.	Price DKK	
			welded to the bucket	spare parts
	R10BE25	BU-ADAPTER-MIDI-BE (R10) R10BE25		
	R14BE30	BU-ADAPTER-BE (R14) R14BE30		
	R14BE40	BU-ADAPTER-BE (R14) R14BE40		
	R18BE40	BU-ADAPTER-BE (R18) R18BE40		
	R18BE45	BU-ADAPTER-BE (R18) R18BE45		
	R23BE40	BU-ADAPTER-BE (R23) R23BE40		
	R23BE50	BU-ADAPTER-BE (R23) R23BE50		



GLINKOWSKI



BARSLUND

Glinkowski Sp. z o.o.
Sikorzyn 21, 63-800 Gosty
tel./fax +48 65 572 70 24
tel./fax +48 65 572 70 25
biuro@glinkowski.pl

Dealer in Denmark:
Barslund A/S
Agernvej 4
3490 Kvistgård
Tlf: +45 4814 3411
Mobil: +45 3164 2648
Email: cjc@barslund.as
Web: www.barslund.as

CE