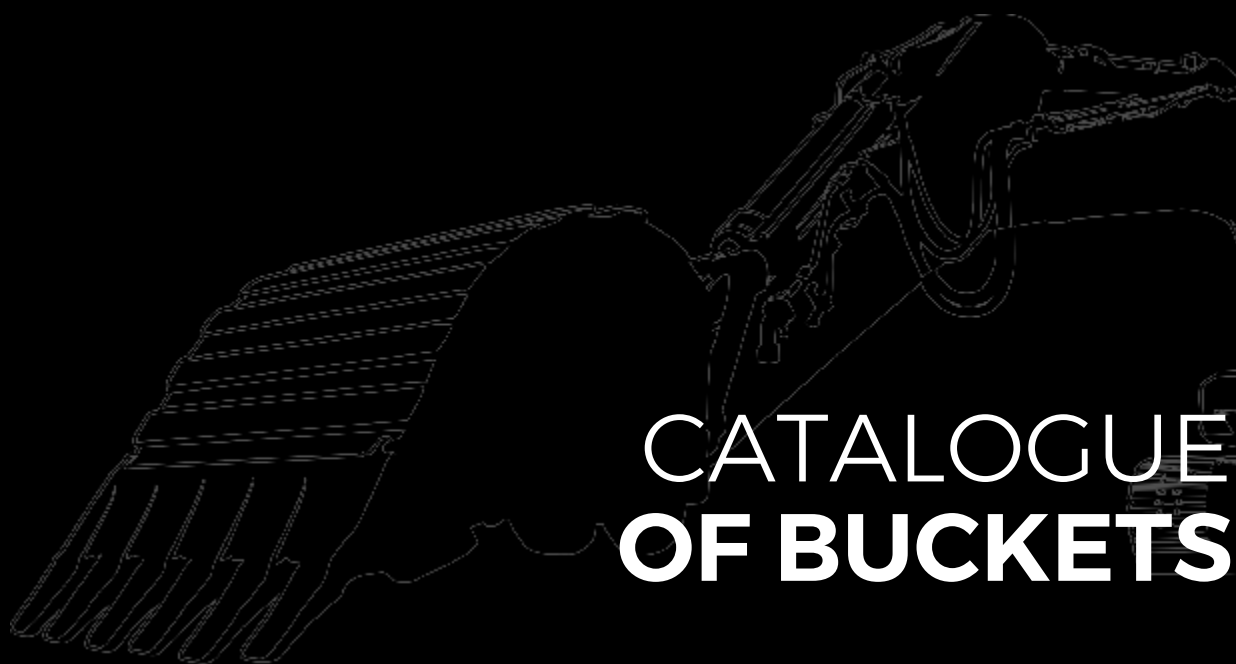
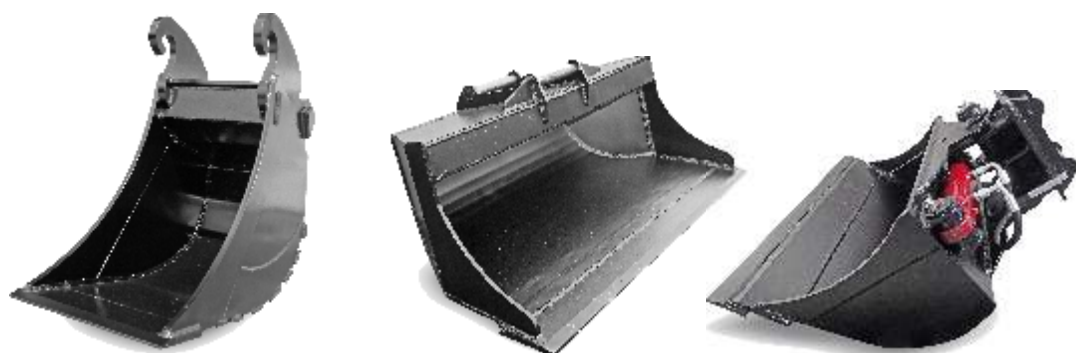


**GRAXX**



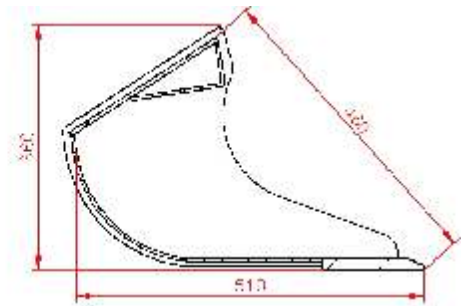
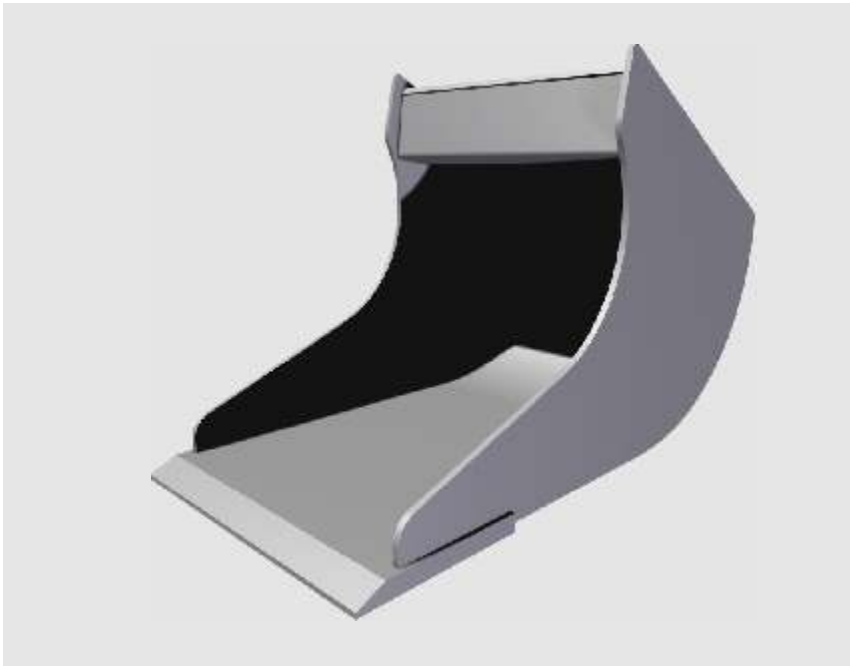
**CATALOGUE  
OF BUCKETS**

[www.graxx.eu](http://www.graxx.eu)

KSL1- L.....	3
GSL1.....	4
TPSL1.....	5
Spare parts for tilt bucket type TPSL1.....	6
KSL2-L.....	7
GSL2.....	8
TRS2.....	9
TPSL2.....	10
Spare parts fot tilt bucket type TPSL2.....	11
KSL4-L.....	12
GSL4.....	13
TPSL4.....	14
Spare parts fot tilt bucket type TPSL4.....	15
TRS4.....	16
SPS4.....	17
KSL7-L.....	18
GSL7-L.....	19
TPSL7.....	20
Spare parts fot tilt bucket type TPSL7.....	21
TRS7.....	22
SPSL7.....	23
PS7.....	24
PFS7.....	25
PG7.....	26
KS14-L.....	27
GS14-L.....	28
GRT14T.....	29
TRS14.....	30
PS14.....	31
PG14T.....	32
SPS14.....	33
KS18-L.....	34
GS18-L.....	35
TPS18.....	36
Spare parts for tilt bucket type TPS18.....	37
TRS18.....	38
SPS18.....	39
KS25.....	40
GS25.....	41
GRT25T.....	42
TPSL25.....	43
Spare parts fot tilt bucket type TPSL25.....	44
TPS25-HD.....	45
Spare parts fot tilt bucket type TPS25-HD.....	46
TRS25.....	47
SPS25.....	48
PS25.....	49
PG25T.....	50
TPS30-HD.....	51
Spare parts fot tilt bucket type TPS30-HD.....	52
KS35.....	53
GS35.....	54
TPS35-HD.....	55
Spare parts fot tilt bucket type TPS35-HD.....	56
TRS35.....	57
SPS35.....	58
PFS35.....	59
KS50.....	60
GS50.....	61
TPS50-L.....	62
Spare parts fot tilt bucket type TPS50-L.....	63
GRT50T.....	64
GS80.....	65
Mechanic Quick Hitch Connectors for Excavator.....	67
Hydraulic Quick Hitch Connectors for Excavator.....	68
MA Series QCB.....	69
Symmetrical QCB.....	70
CW Series QCB.....	71
Half Arrow.....	72
Blades.....	73
CAT J-series Teeth.....	74
CAT J-series Pin and Retainer.....	75
CAT J-series Adapters.....	76
Combi Parts Teeth.....	77
Combi Parts Adapters and C-Lock.....	78
Combi Parts Teeth C-REX.....	79
Combi Parts Adapters C-REX.....	80

# KSL1-L

## 0,8t-1,4t

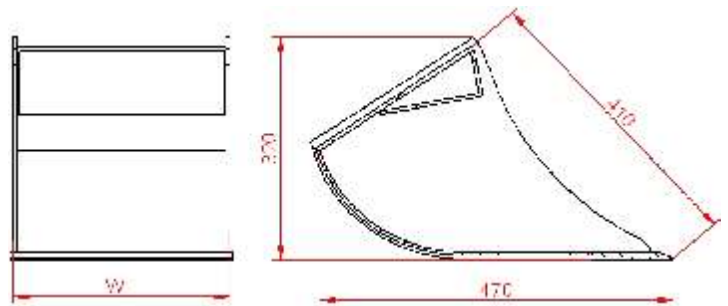
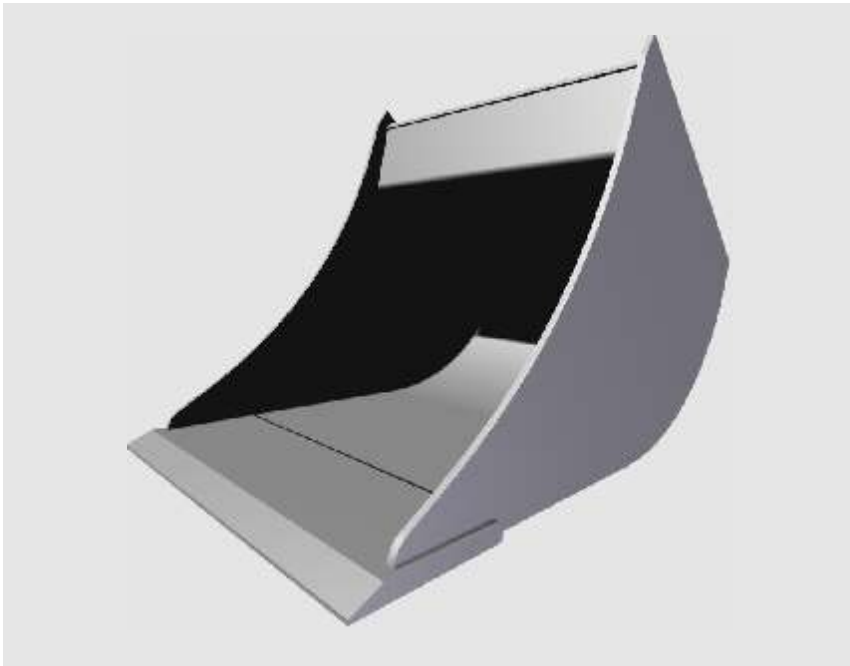


Tradename	Width	Weight	Volume	Price
	(mm)	(kg)	(liters)	PLN
BU-KSL1-300-L	300	28	31	
BU-KSL1-400-L	400	34	45	
BU-KSL1-500-L	500	40	59	
BU-KSL1-600-L	600	46	73	

Weight and price include QCB-MH30-195-b  
 Weight and price don't include teeth and half arrows

# GSL1

## 0,8t-1,4t

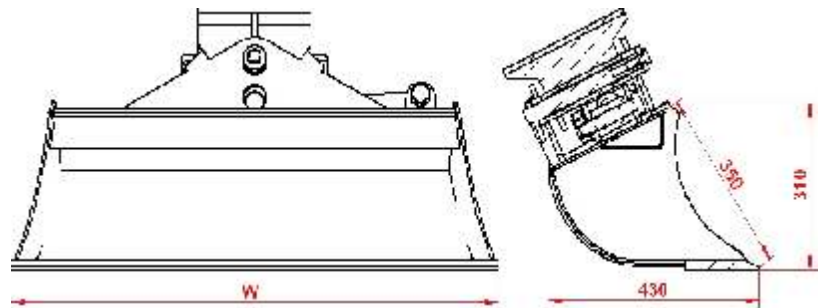
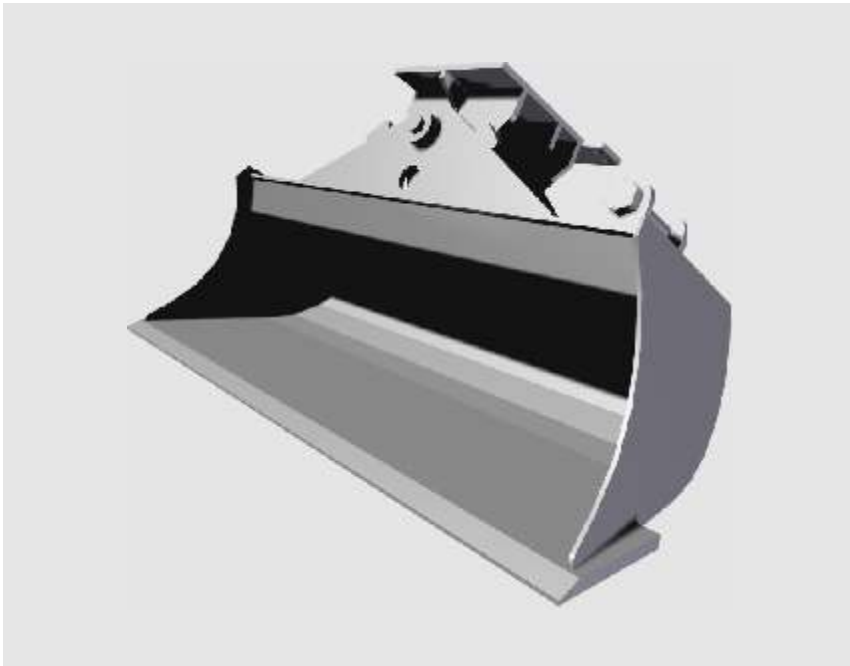


Tradename	Width	Weight	Volume	Price
	(mm)	(kg)	(liters)	PLN
BU-GSL1-300	300	25	26	
BU-GSL1-400	400	30	36	
BU-GSL1-500	500	35	47	
BU-GSL1-600	600	40	58	
BU-GSL1-700	700	45	69	
BU-GSL1-800	800	50	80	

Weight and price include QCB-MH30-195-b  
 Weight and price don't include teeth and half arrows

# TPSL1

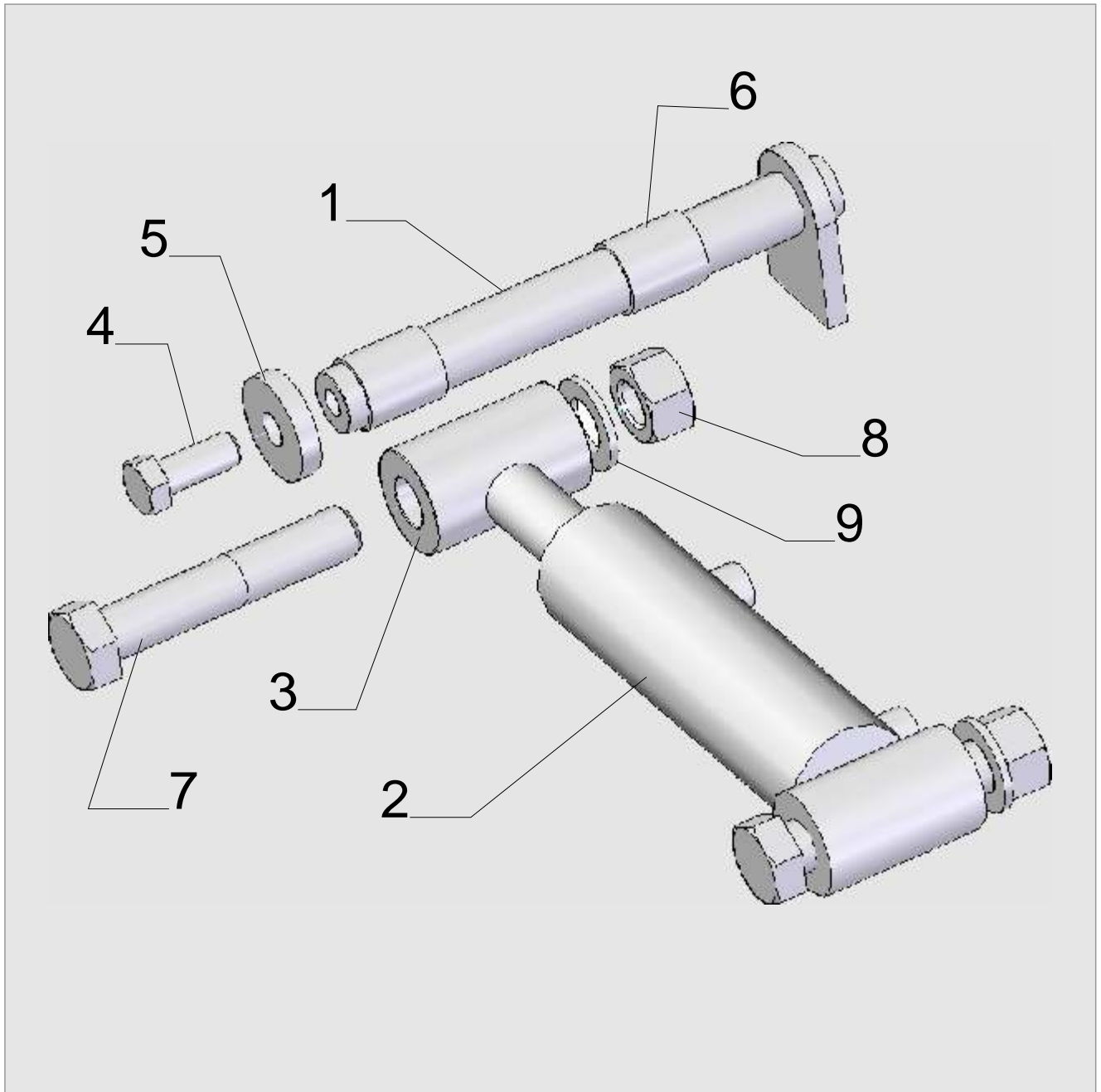
## 0,8t-1,4t



Tradename	Width	Weight	Volume	Price
	(mm)	(kg)	(liters)	PLN
BU-TPSL1-1000 1cyl	1000	85	82	
BU-TPSL1-1100 1cyl	1100	90	90	
BU-TPSL1-1200 1cyl	1200	95	100	

Weight and price include QCB-MH30-195-b  
 Weight and price don't include teeth and half arrows

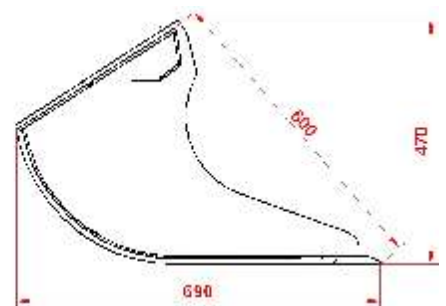
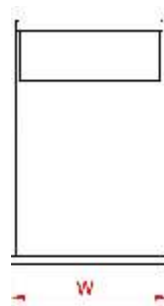
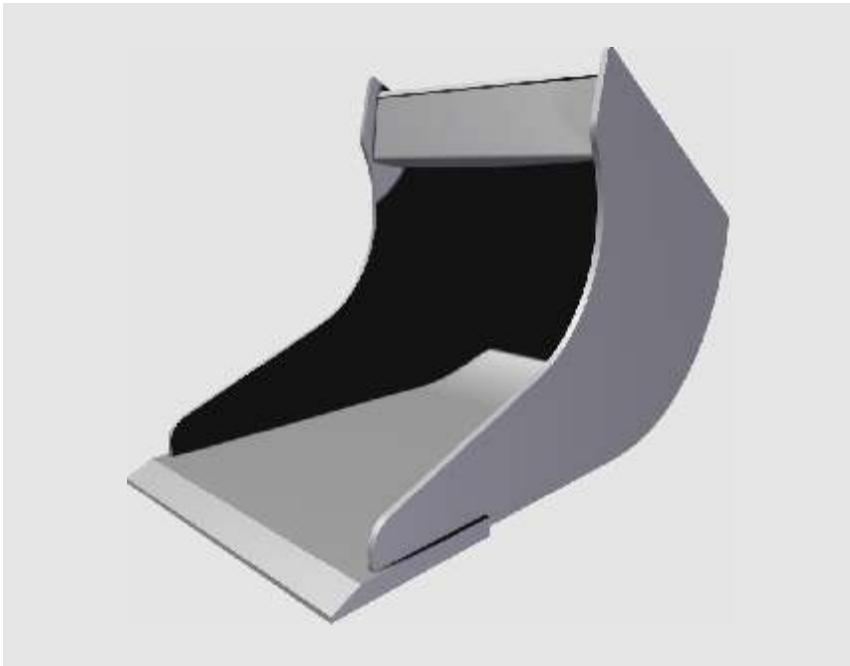
### Spare parts for tilt bucket type TPSL1



Pos.	Part number	Designation	Quantity
1	BU-SW-30x255-M16	Main shaft	1
2	BU-SIL-HYD-DW-OB-30-50-100	Cylinder 30-50-100	1
3	BU-TUL-50/24-80	Ear of the cylinder	2
4	M16x40	Bolt M16x40	1
5	BU-POD-50/18,5-10	Washer 50/18,5-10	1
6	BU-TUL-WYS-30x40x40 B3	Bushing 30x40x40 B3	2
7	M24x130	Bolt M24x130	2
8	NAK-M24	Cap M24	2
9	POD-M24	Washer M24	2

# KSL2-L

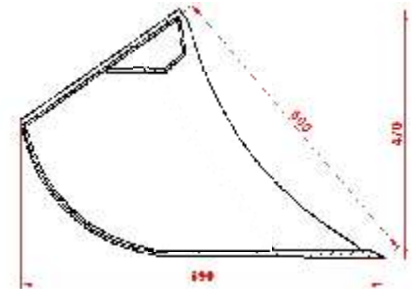
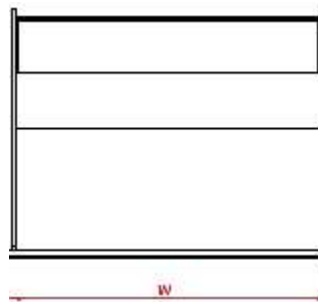
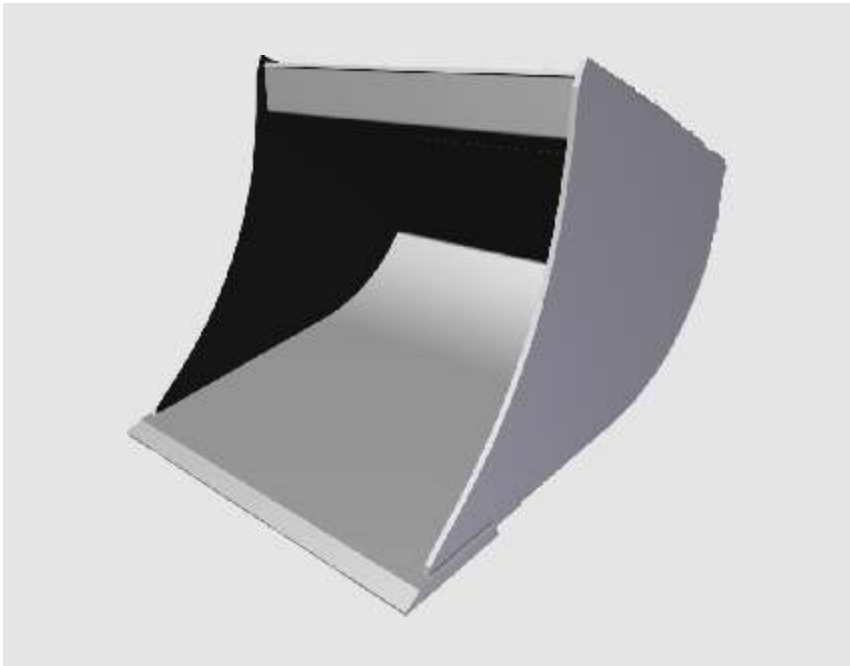
## 1,5t-3t



Tradename	Width	Weight	Volume	Price
	(mm)	(kg)	(liters)	PLN
BU-KSL2-300-L	300	37	51	
BU-KSL2-400-L	400	42	73	
BU-KSL2-500-L	500	47	96	
BU-KSL2-600-L	600	52	120	

Weight and price include QCB-MH30-195-b  
 Weight and price don't include teeth and half arrows

# GSL2 1,5t-3t

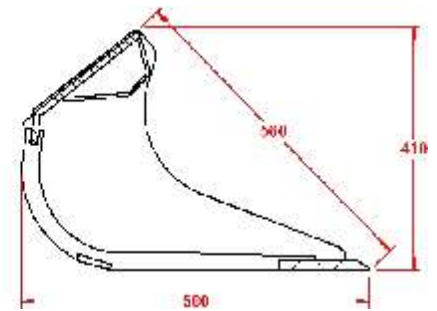
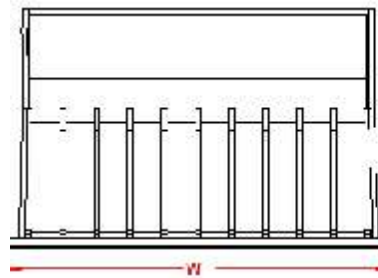


Tradename	Width	Weight	Volume	Price
	(mm)	(kg)	(liters)	PLN
BU-GSL2-300	300	44	73	
BU-GSL2-400	400	50	97	
BU-GSL2-500	500	56	47	
BU-GSL2-600	600	62	121	
BU-GSL2-700	700	68	145	
BU-GSL2-800	800	74	170	

Weight and price include QCB-MH30-195-b  
Weight and price don't include teeth and half arrows



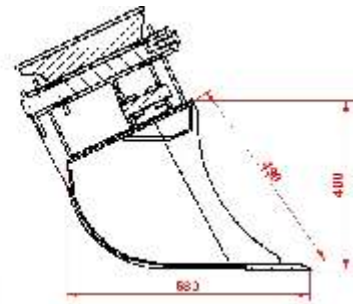
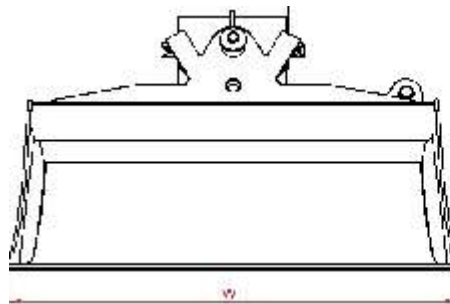
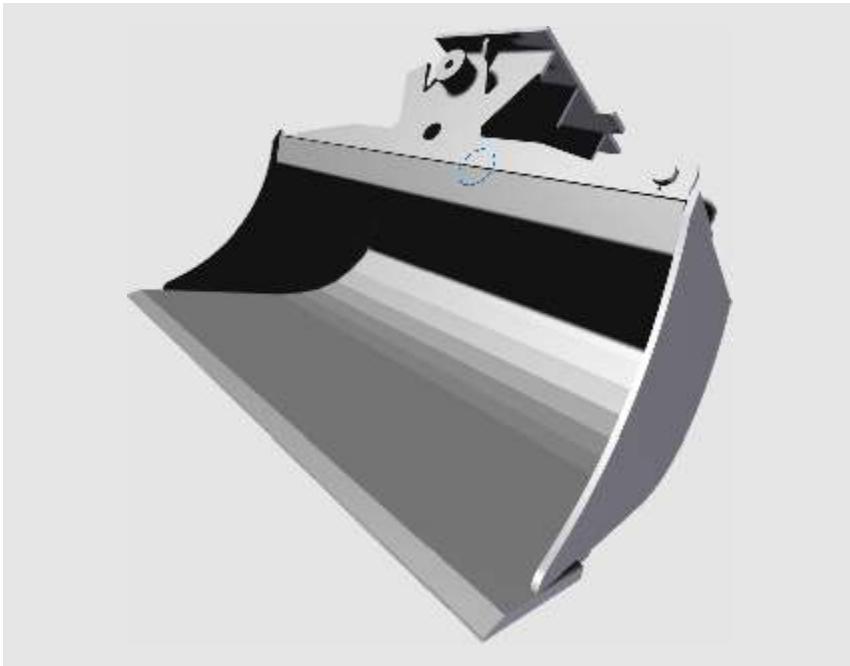
# TRS2 1,5t-3t



Tradename	Width	Weight	Volume	Price
	(mm)	(kg)	(liters)	PLN
BU-TRS2-600	600	65	88	
BU-TRS2-800	800	70	124	

Weight and price include QCB-MH30-195-b  
Weight and price don't include teeth and half arrows

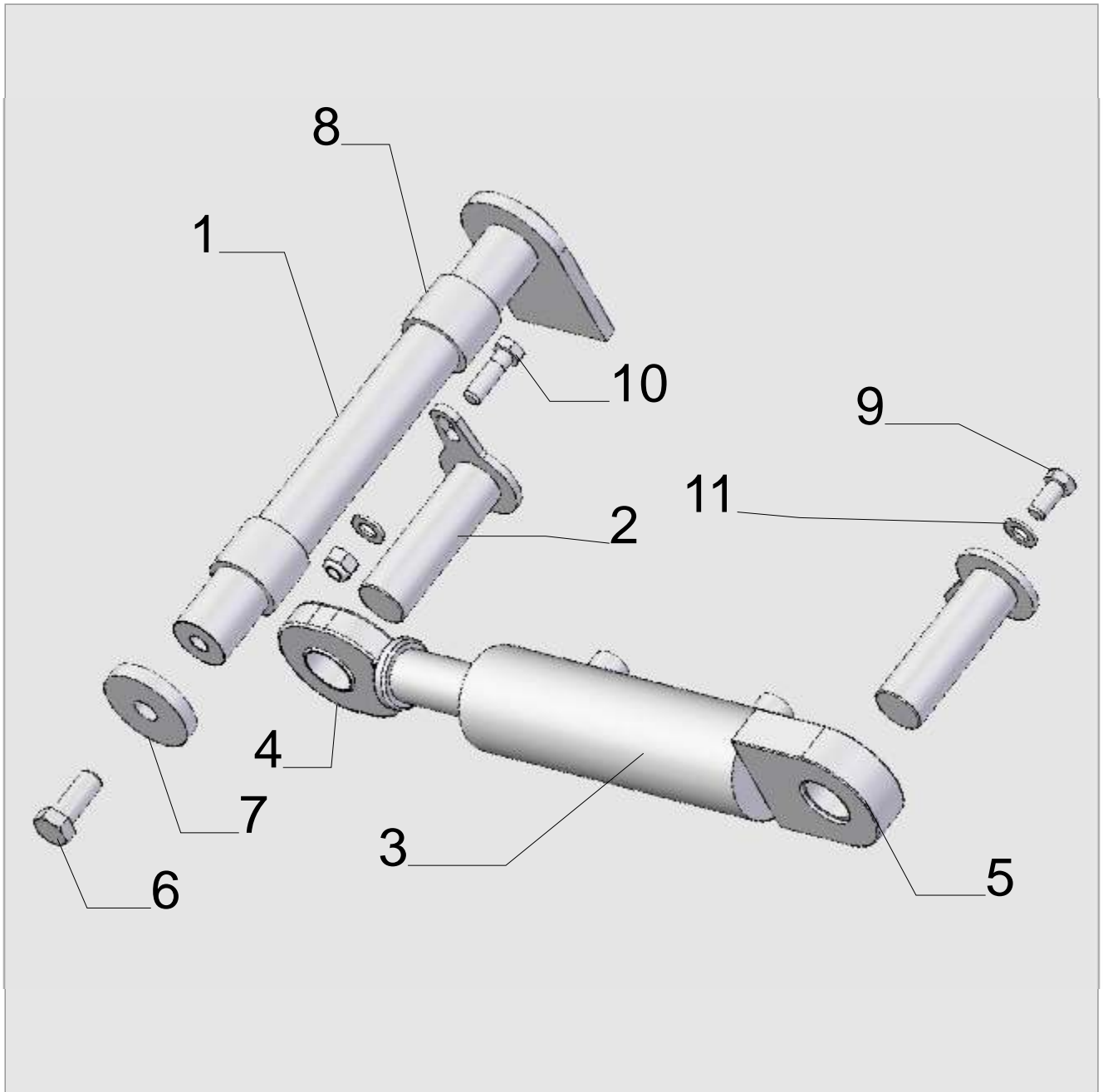
# TPSL2 1,5t-3t



Tradename	Width	Weight	Volume	Price
	(mm)	(kg)	(liters)	PLN
BU-TPSL2-1100 1cyl	1100	115	160	
BU-TPSL2-1200 1cyl	1200	125	175	
BU-TPSL2-1300 1cyl	1300	135	192	
BU-TPSL2-1400 1cyl	1400	145	210	

Weight and price include QCB-MH30-195-b  
Weight and price don't include teeth and half arrows

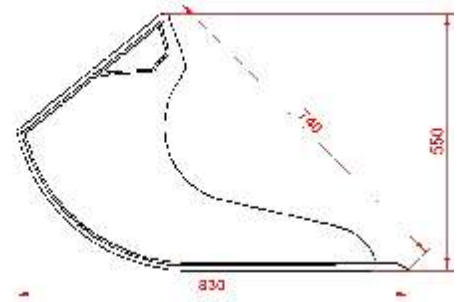
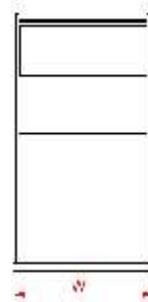
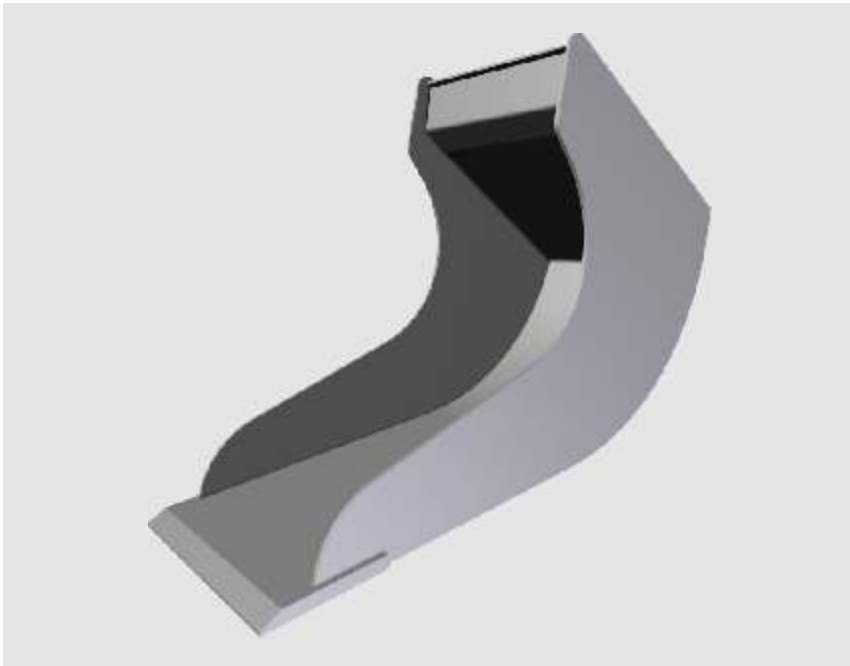
### Spare parts for tilt bucket type TPSL2



Pos.	Part number	Designation	Quantity
1	BU-SW-40360-M16	Main shaft	1
2	BU-SW-35112	Cylinder shaft	2
3	BU-SIL-HYD-DW-OB-35-60-100	Cylinder 35-60-100	1
4	BU-UCHO-SIL-GK35-GR	Ear of the cylinder	1
5	BU-UCHO-SIL-GF35-GR	Ear of the cylinder	1
6	M16x40	Bolt M16x40	1
7	BU-POD-65/18,5-11	Washer 65/18,5-11	1
8	BU-TUL-40,3X50,18X40 B4	Bushing 40,3x50,18x40	2
9	M12x25	Bolt M12x25	1
10	M12x40	Bolt M12x40	1
11	POD-M12	Washer M12	2

# KSL4-L

## 3,5t-4,5t

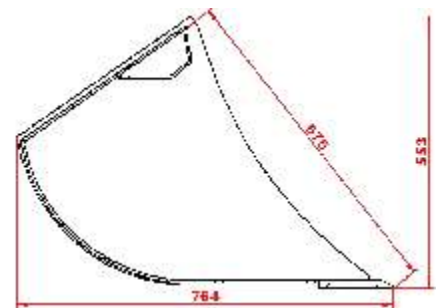
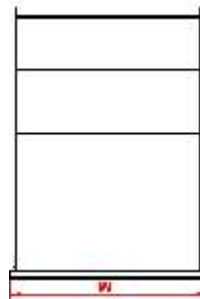
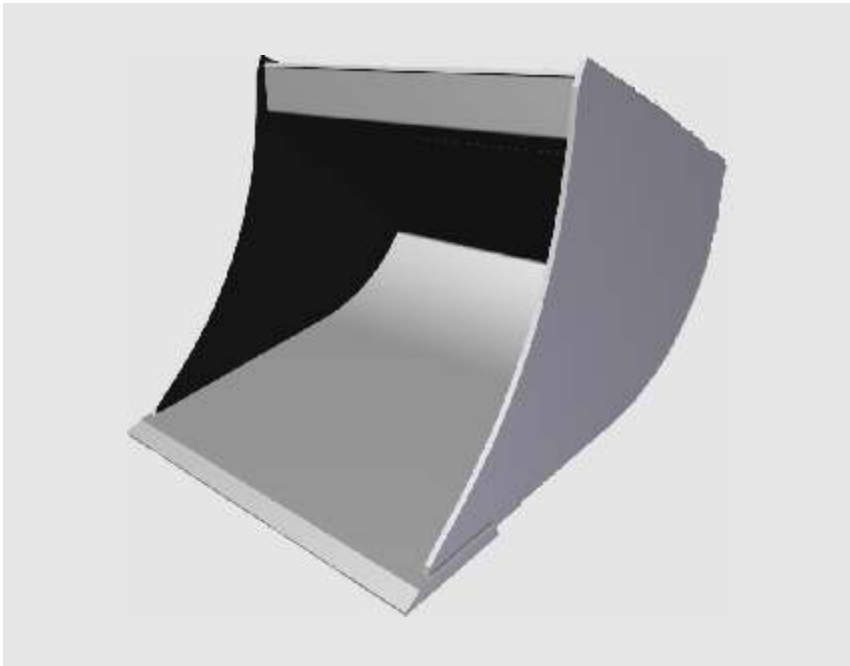


Tradename	Width	Weight	Volume	Price
	(mm)	(kg)	(liters)	PLN
BU-KSL4-300-L	300	52	70	
BU-KSL4-400-L	400	61	101	
BU-KSL4-500-L	500	70	133	
BU-KSL4-600-L	600	79	167	

Weight and price include QCB-S40/200-b  
 Weight and price don't include teeth and half arrow

# GSL4

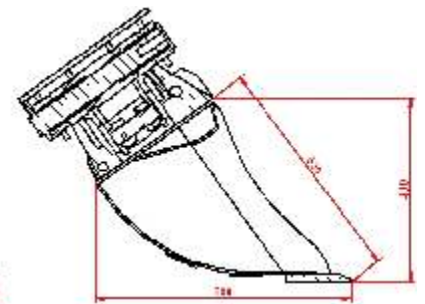
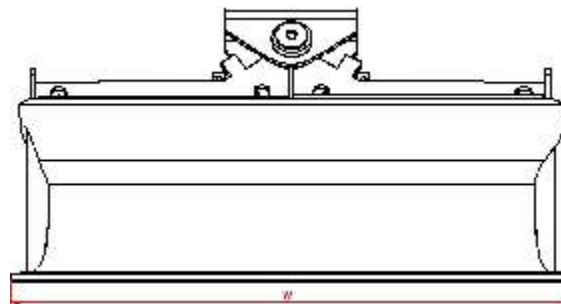
## 3,5t-4,5t



Tradename	Width	Weight	Volume	Price
	(mm)	(kg)	(liters)	PLN
BU-GSL4-300	300	54	67	
BU-GSL4-400	400	63	96	
BU-GSL4-500	500	72	126	
BU-GSL4-600	600	81	158	
BU-GSL4-700	700	90	489	
BU-GSL4-800	800	99	221	
BU-GSL4-1000	1000	117	285	

Weight and price include QCB-S40/200-b  
 Weight and price don't include teeth and half arrow

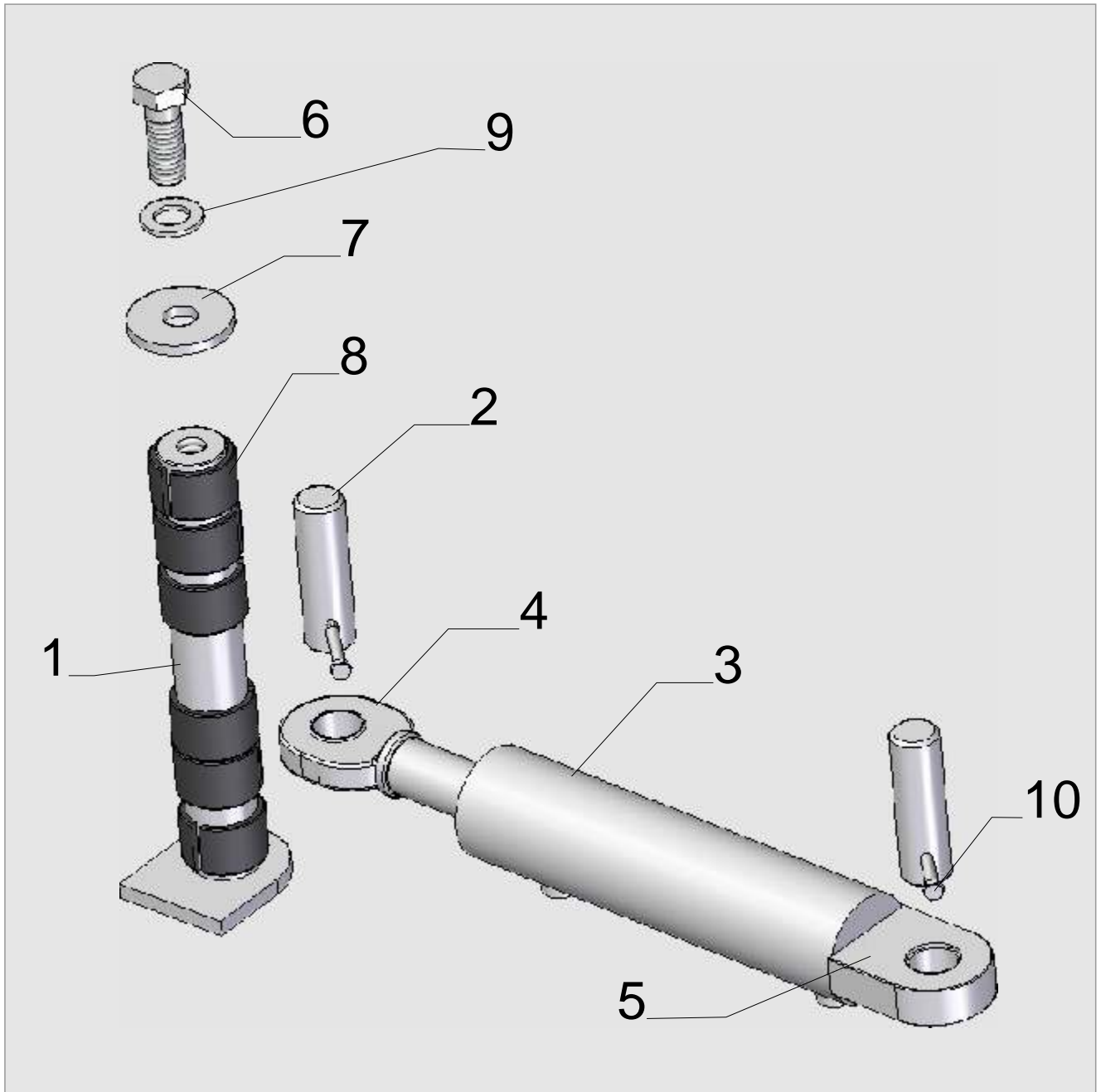
# TPSL4 3,5t-4,5t



Tradename	Width	Weight	Volume	Price
	(mm)	(kg)	(liters)	PLN
BU-TPSL4-1300 1cyl	1300	195	212	
BU-TPSL4-1400 1cyl	1400	210	230	
BU-TPSL4-1500 1cyl	1500	225	248	

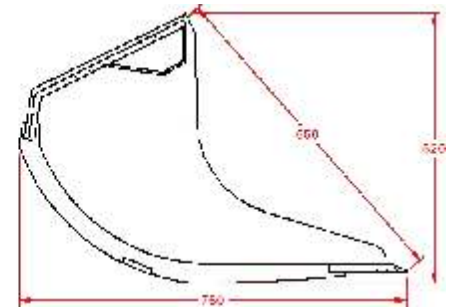
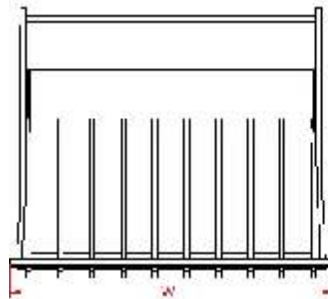
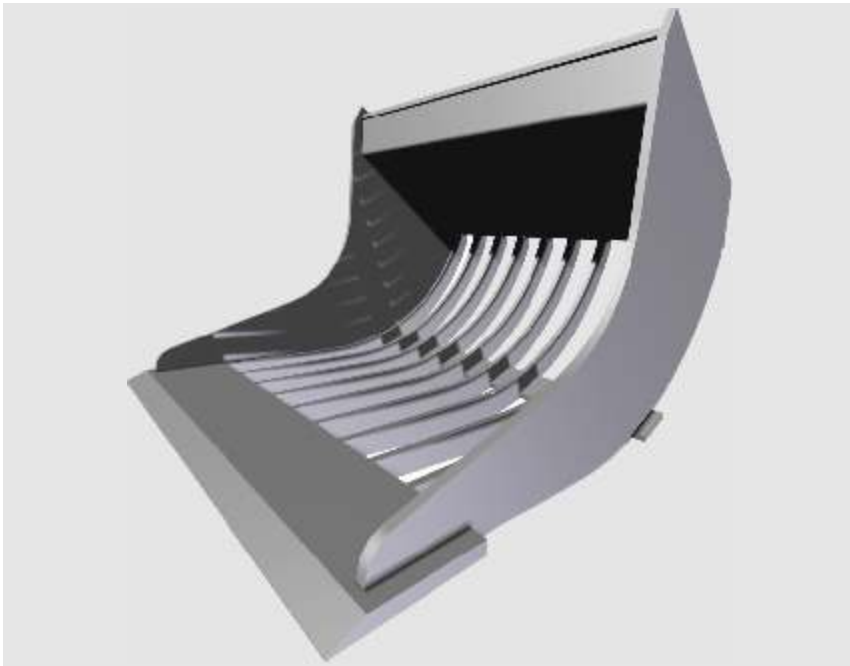
Weight and price include QCB-S40/200-b  
Weight and price don't include teeth and half arrow

### Spare parts for tilt bucket type TPSL4



Pos.	Part number	Designation	Quantity
1	BU-SW-50345-M24	Main shaft	1
2	BU-SW-35120-FI8	Cylinder shaft	2
3	BU-SIL-HYD-DW-OB-40-70-200	Cylinder 40-70-200	1
4	BU-UCHO-SIL-GK35-GR	Ear of the cylinder	1
5	BU-UCHO-SIL-GF35-GR	Ear of the cylinder	1
6	M24x70	Bolt M24x70	1
7	BU-POD-75/25,5-8	Washer 75/25,5-8	1
8	BU-TUL-50X60X40 B3	Bushing 50x60x40	6
9	POD-M24	Washer M24	1
10	M8x75	Bolt M8x75	2
	NAK-M8	Cap M8	2
	POD-M8	Washer M8	2

# TRS4 3,5t-4,5t

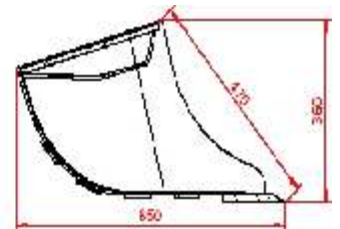
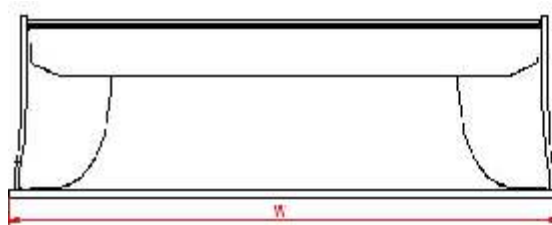
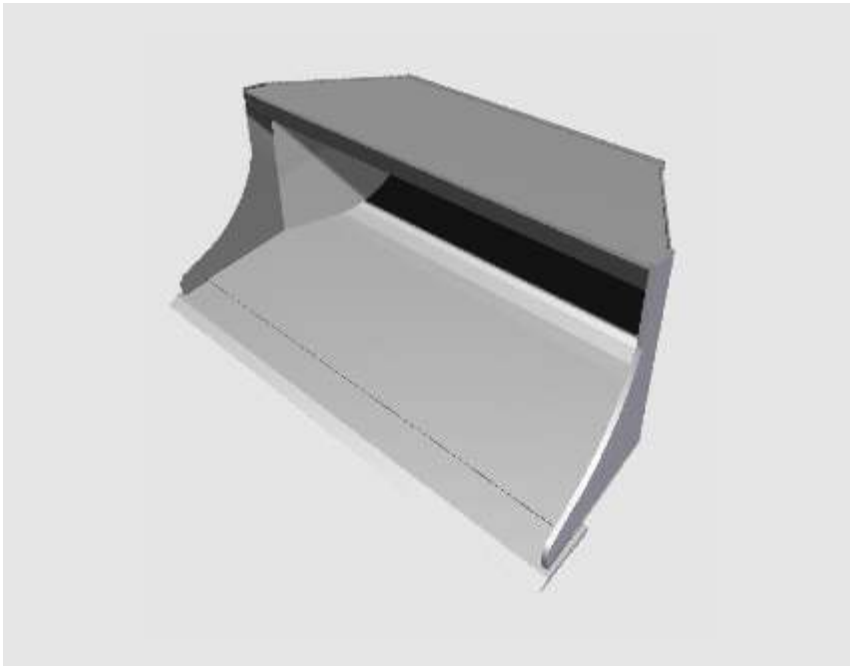


Tradename	Width	Weight	Volume	Price
	(mm)	(kg)	(liters)	PLN
BU-TRS4-600	600	87	140	
BU-TRS4-800	800	100	197	

Weight and price include QCB-S40/200-b  
Weight and price don't include teeth and half arrow



# SPS4 3,5t-4,5t

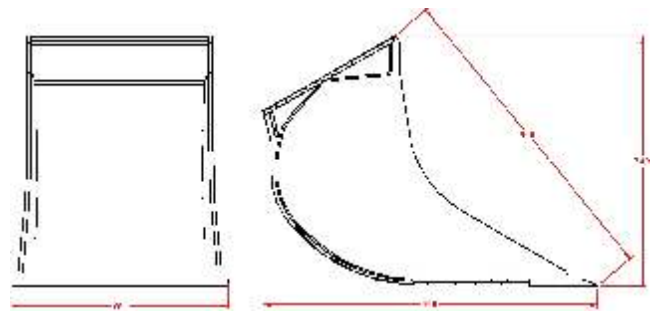
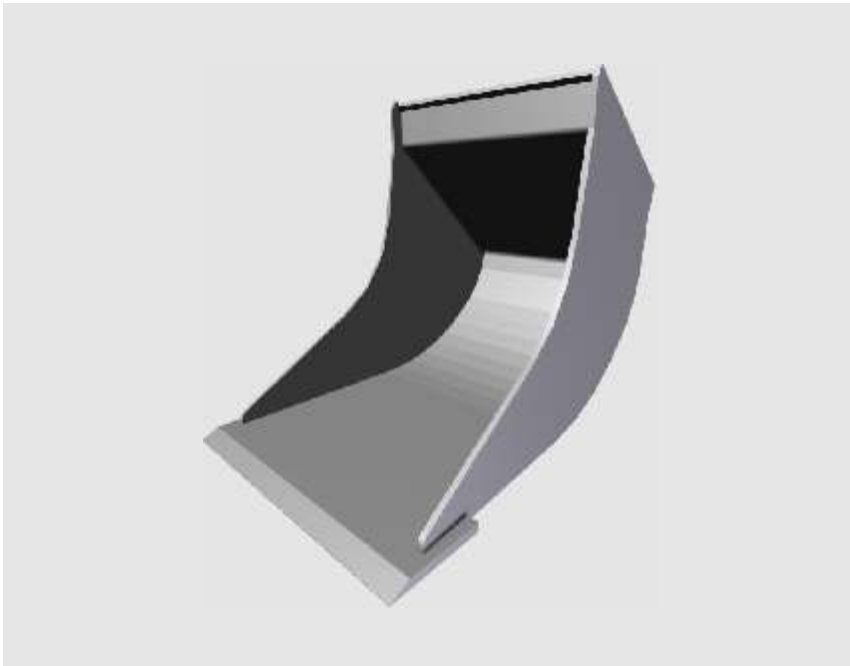


Tradename	Width	Weight	Volume	Price
	(mm)	(kg)	(liters)	PLN
BU-SPS4-1300	1300	143	190	

Weight and price include QCB-S40/200-b  
 Weight and price don't include teeth and half arrow

# KSL7-L

## 5t-10t

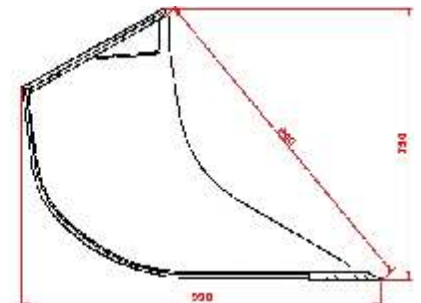
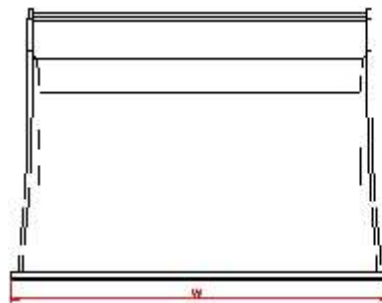
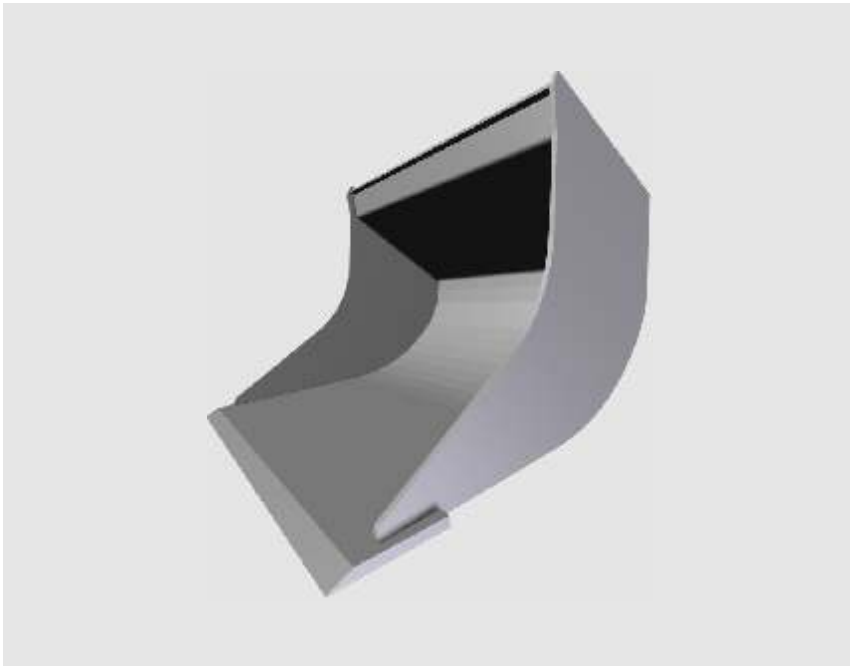


Tradename	Width	Weight	Volume	Price
	(mm)	(kg)	(liters)	PLN
BU-KSL7-300-L	300	126	142	
BU-KSL7-400-L	400	136	195	
BU-KSL7-500-L	500	146	250	
BU-KSL7-600-L	600	157	310	

Weight and price include QCB-FL45/Hydrema  
 Weight and price don't include teeth and half arrow

# GSL7-L

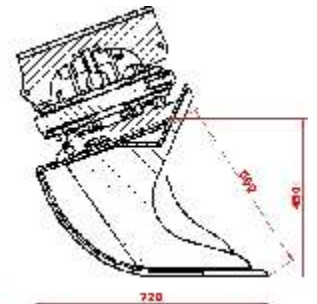
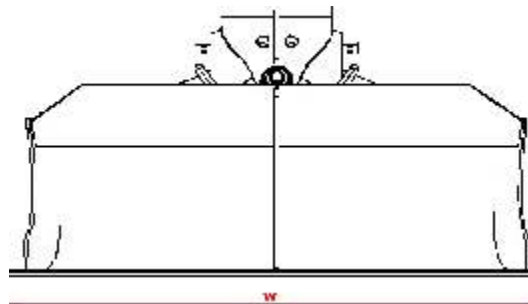
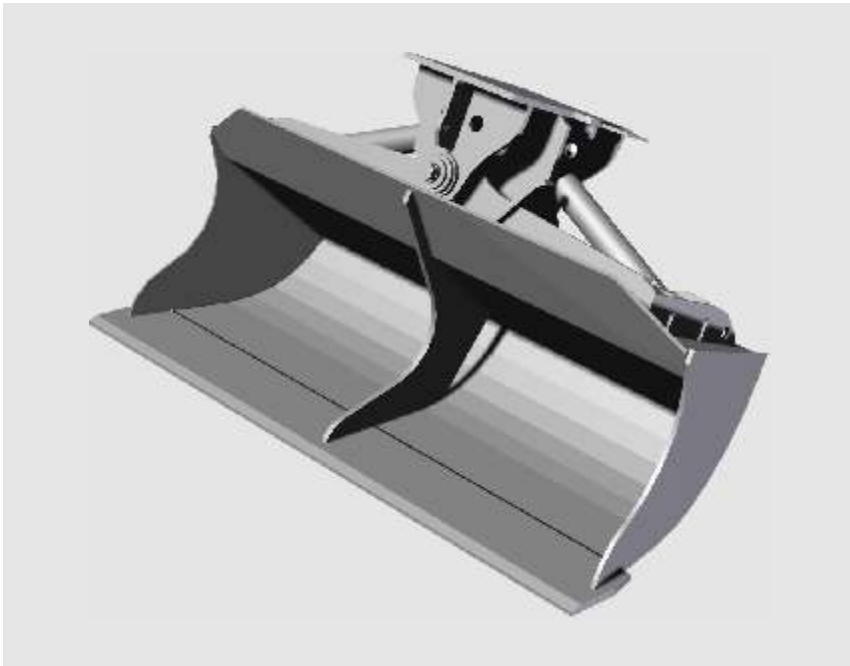
## 5t-10t



Tradename	Width	Weight	Volume	Price
	(mm)	(kg)	(liters)	PLN
BU-GSL7-400-L	400	147	160	
BU-GSL7-500-L	500	158	220	
BU-GSL7-600-L	600	169	275	
BU-GSL7-700-L	700	180	335	
BU-GSL7-800-L	800	191	385	
BU-GSL7-900-L	900	199	445	
BU-GSL7-1000-L	1000	213	505	

Weight and price include QCB-FL45/Hydrema  
 Weight and price don't include teeth and half arrow

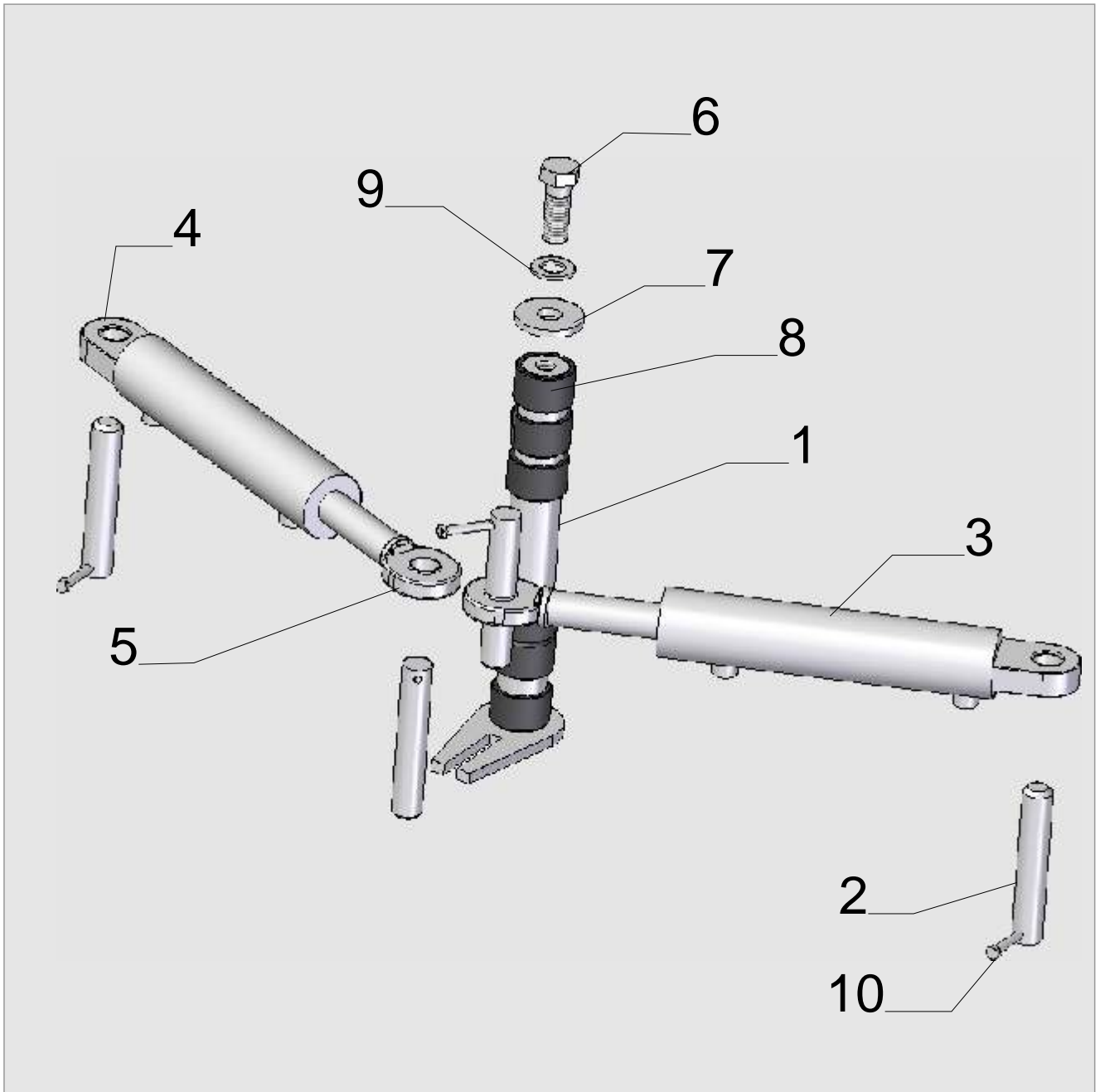
# TPSL7 5t-10t



Tradename	Width	Weight	Volume	Price
	(mm)	(kg)	(liters)	PLN
BU-TPSL7-1500	1500	386	386	
BU-TPSL7-1600	1600	396	415	
BU-TPSL7-1700	1700	406	443	
BU-TPSL7-1800	1800	416	472	

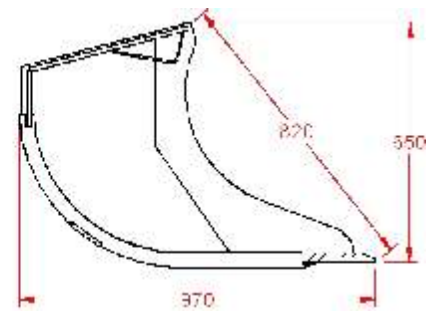
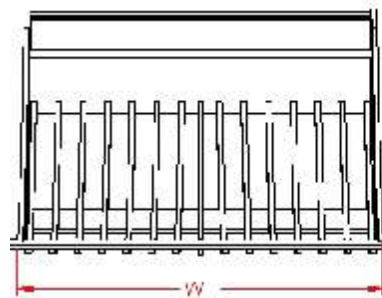
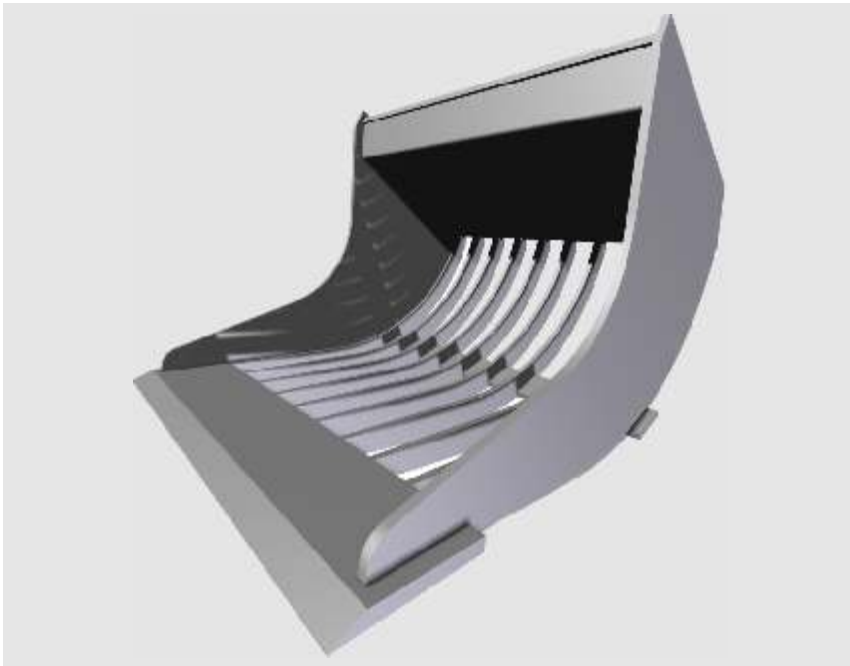
Weight and price include QCB-FL45/Hydrema  
Weight and price don't include teeth and half arrow

### Spare parts for tilt bucket type TPSL7



Pos.	Part number	Designation	Quantity
1	BU-SW-50402-M24	Main shaft	1
2	BU-SW-30170-FI8	Cylinder shaft	4
3	BU-SIL-HYD-DW-OB-35-60-200	Cylinder 35-60-200	2
4	BU-UCHO-SIL-GK30-GR	Ear of the cylinder	2
5	BU-UCHO-SIL-GF30-GR	Ear of the cylinder	2
6	M24x70	Bolt M24x70	1
7	BU-POD-75/25,5-8	Washer 75/25,5-8	1
8	BU-TUL-50X60X40 B3	Bushing 50x60x40	6
9	POD-M24	Washer M24	1
10	M8x75	Bolt M8x75	4
	POD-M8	Washer M8	4
	NAK-M8	Cap M8	4

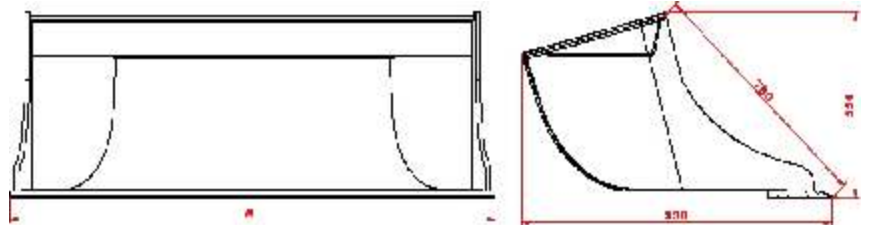
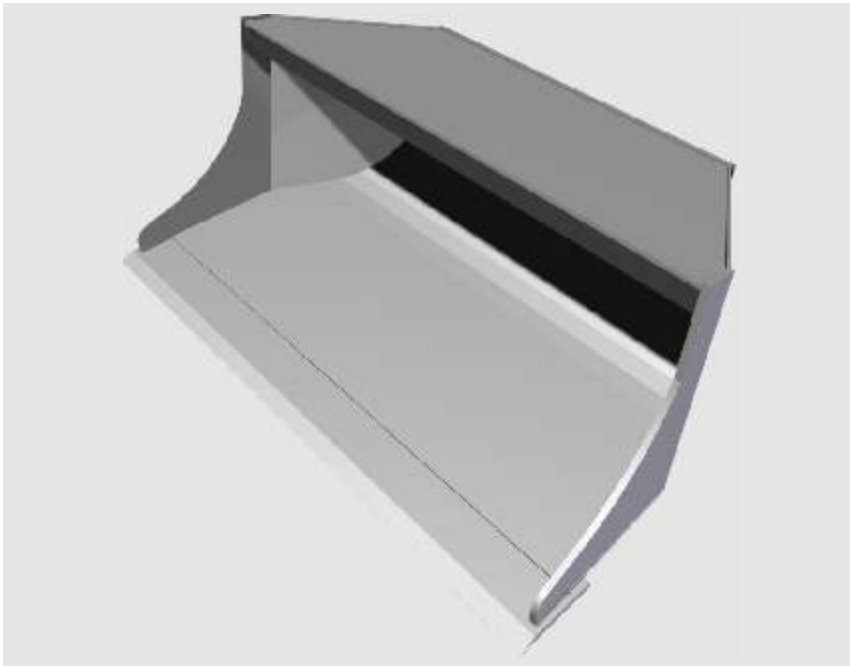
# TRS7 5t-10t



Tradename	Width	Weight	Volume	Price
	(mm)	(kg)	(liters)	PLN
BU-TRS7-800	800	207	340	
BU-TRS7-900	900	232	390	
BU-TRS7-1000	1000	257	440	
BU-TRS7-1200	1200	307	540	

Weight and price include QCB-FL45/Hydrema  
Weight and price don't include teeth and half arrow

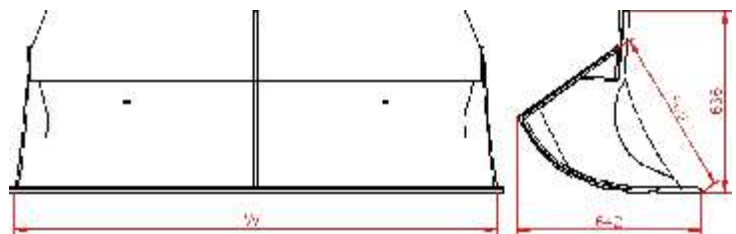
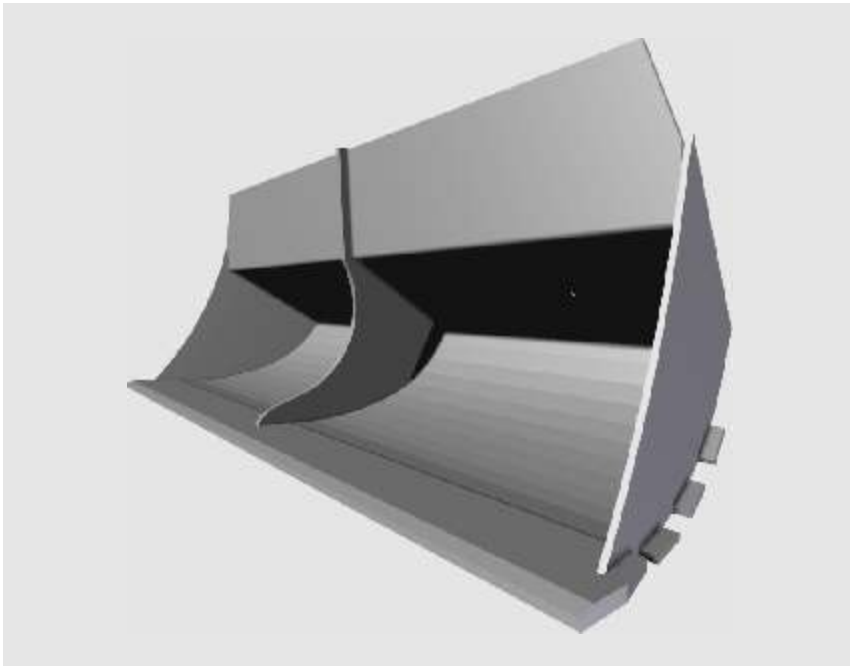
# SPSL7 5t-10t



Tradename	Width	Weight	Volume	Price
	(mm)	(kg)	(liters)	PLN
BU-SPSL7-1500	1500	247	530	
BU-SPSL7-1600	1600	262	570	
BU-SPSL7-1700	1700	277	610	
BU-SPSL7-1800	1800	292	650	

Weight and price include QCB-FL45/Hydrema  
Weight and price don't include teeth and half arrow

# PS7 5t-10t

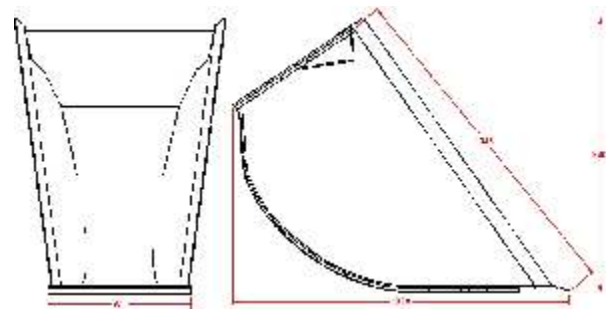
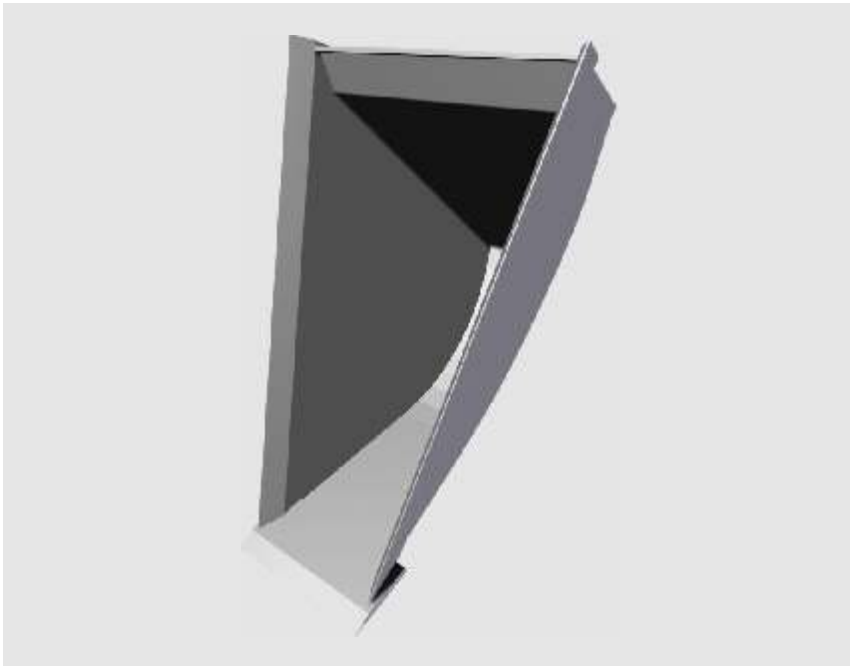


Tradename	Width	Weight	Volume	Price
	(mm)	(kg)	(liters)	PLN
BU-PS7-1500	1500	283	313	
BU-PS7-1600	1600	298	336	
BU-PS7-1700	1700	313	360	
BU-PS7-1800	1800	328	383	

Wweight and price include QCB-FL45/Hydrema  
Weight and price don't include teeth and half arrow



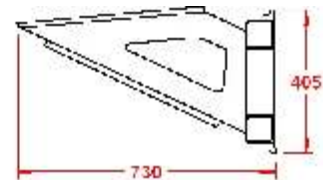
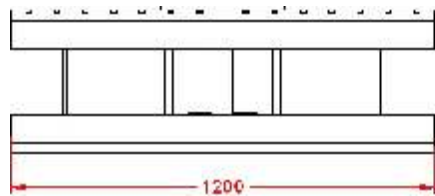
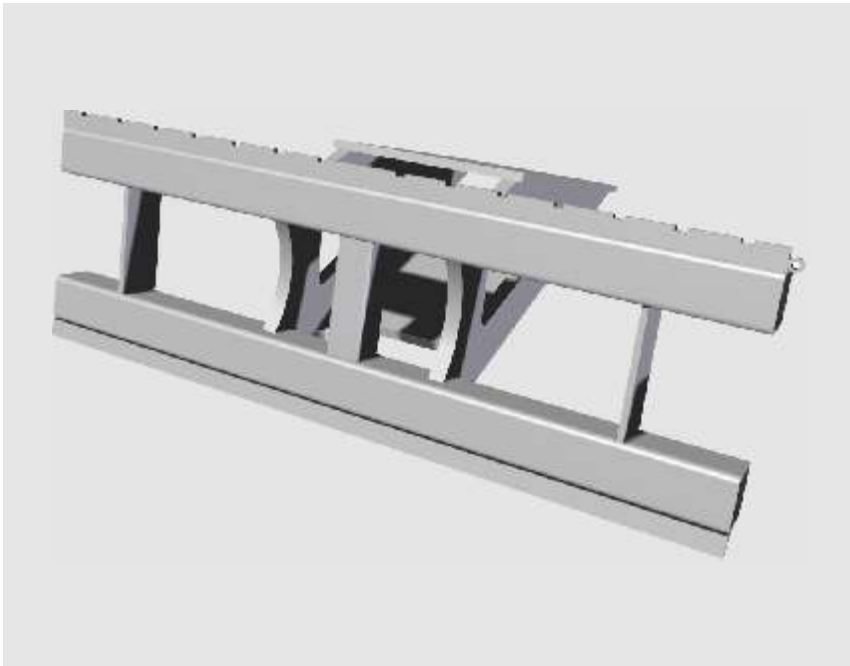
# PFS7 5t-10t



Tradename	Width	Weight	Volume	Price
	(mm)	(kg)	(liters)	PLN
BU-PFS7-300/650	1500	283	200	
BU-PFS7-400/650	1600	135	220	

Weight and price include QCB-FL45/Hydrema  
Weight and price don't include teeth and half arrow

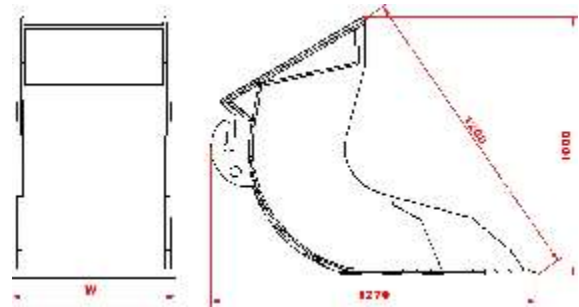
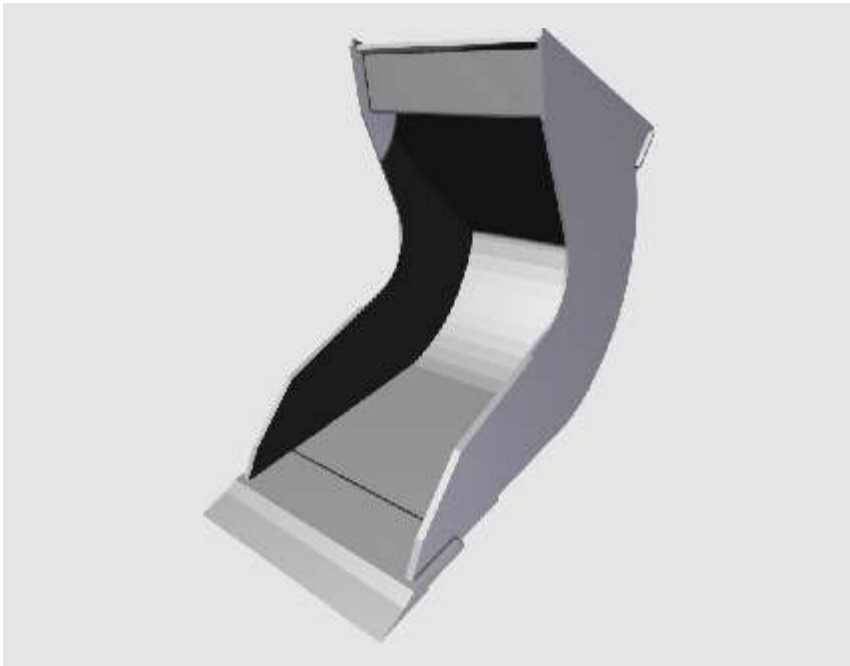
# PG7 5T-10T



Tradename	Width	Weight	Volume	Price
	(mm)	(kg)	(liters)	PLN
BU-PG7-2,5T	1200	147	-	

Weight and price include QCB-FL45/Hydrema  
 Weight and price don't include teeth and half arrow  
 Price does not include forks

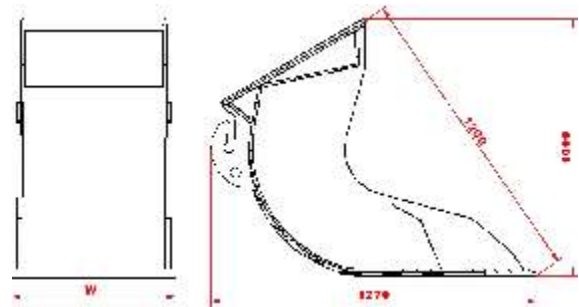
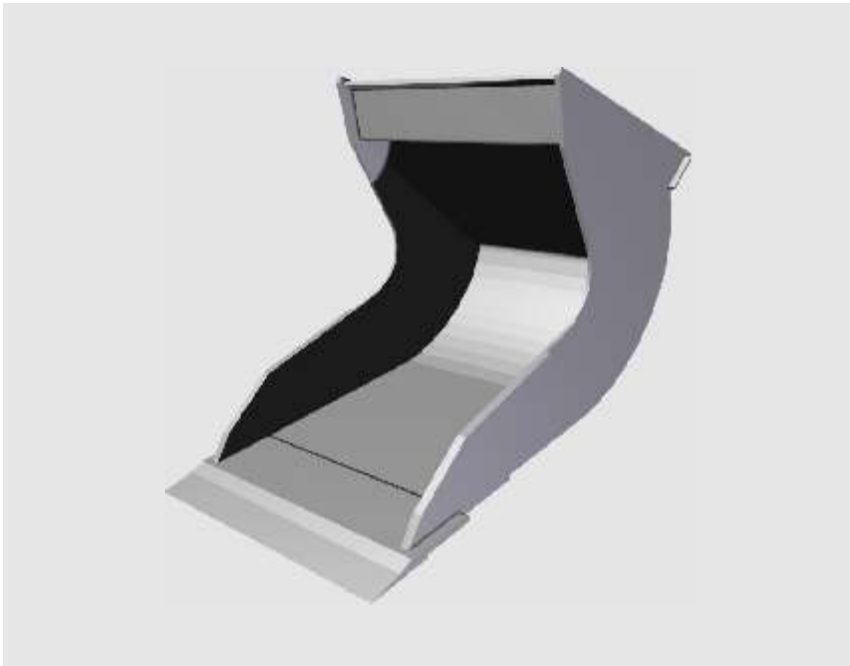
# KS14-L 12t-15t



Tradename	Width	Weight	Volume	Price
	(mm)	(kg)	(liters)	PLN
BU-KS14-300-L	300	268	230	
BU-KS14-400-L	400	284	280	
BU-KS14-500-L	500	313	360	
BU-KS14-600-L	600	341	410	

Weight and price include QCB-S60  
Weight and price don't include teeth and half arrow

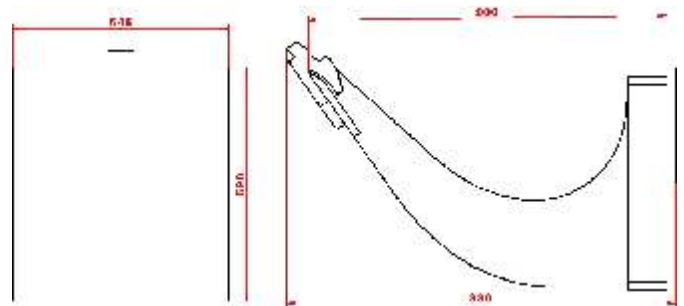
# GS14-L 12t-15t



Tradename	Width	Weight	Volume	Price
	(mm)	(kg)	(liters)	PLN
BU-GS14-800-L	800	397	510	
BU-GS14-900-L	900	425	560	
BU-GS14-1000-L	1000	453	610	
BU-GS14-1100-L	1100	481	660	
BU-GS14-1200-L	1200	509	710	
BU-GS14-1300-L	1300	537	760	

Weight and price include QCB-S60  
Weight and price don't include teeth and half arrow

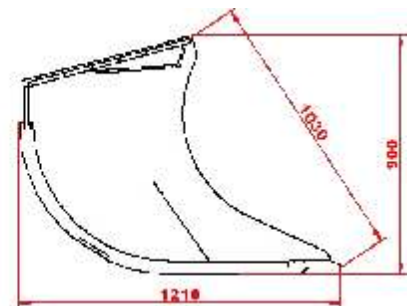
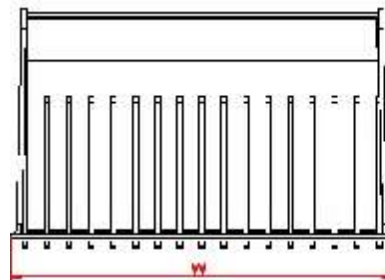
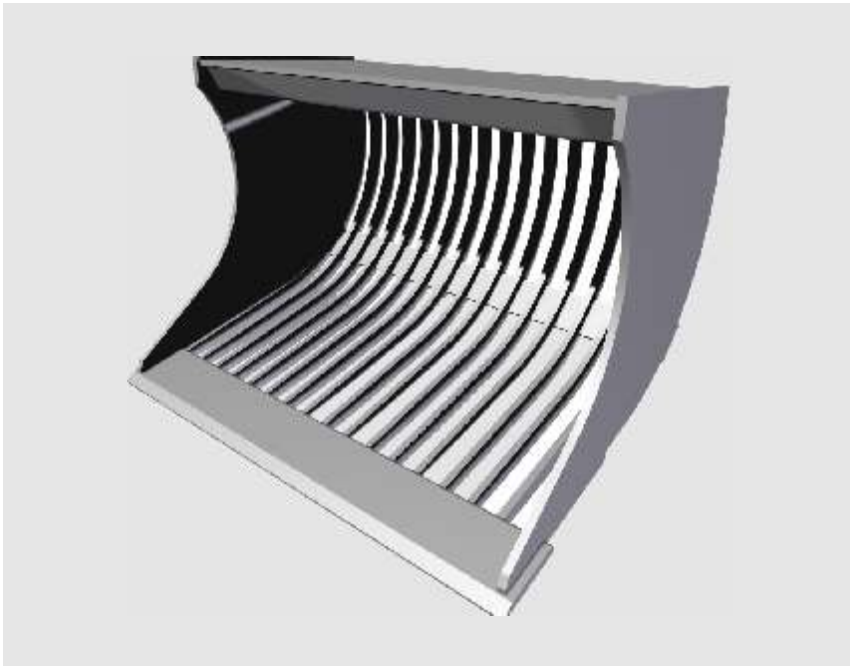
# GRT14T 12t-15t



Tradename	Width	Weight	Volume	Price
	(mm)	(kg)	(liters)	PLN
BU-GRT14T-1000	550	220	-	

Weight and price include QCB-S60  
Weight and price don't include teeth and half arrow

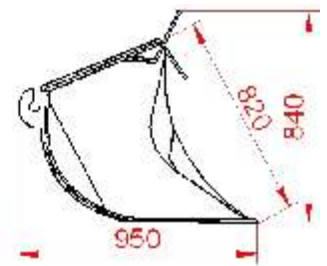
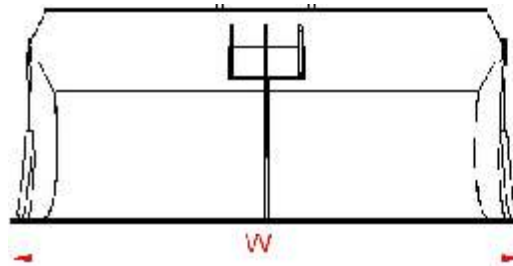
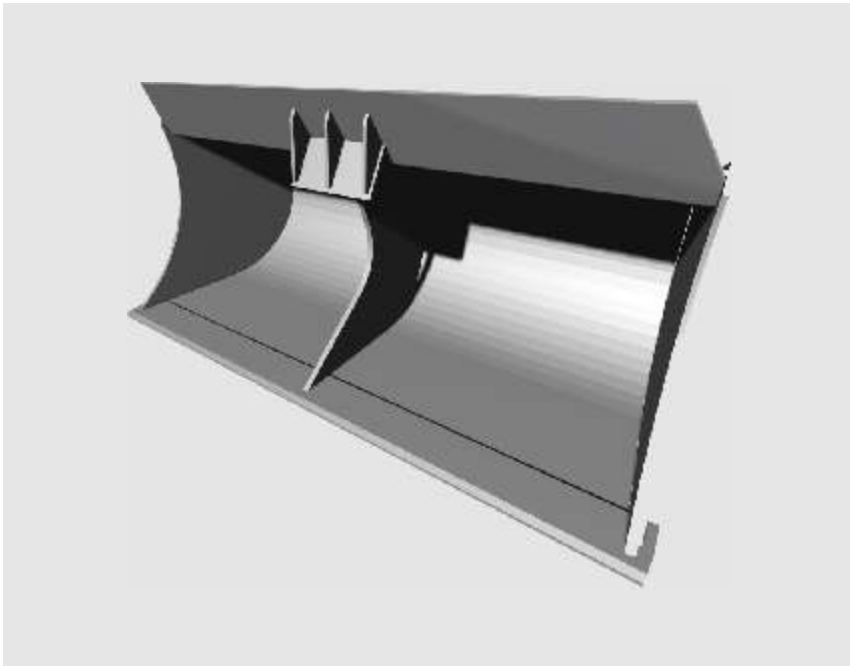
# TRS14 12t-15t



Tradename	Width	Weight	Volume	Price
	(mm)	(kg)	(liters)	PLN
BU-TRS14-1000	1000	518	720	
BU-TRS14-1100	1100	538	805	
BU-TRS14-1200	1200	558	890	
BU-TRS14-1300	1300	579	975	
BU-TRS14-1400	1400	598	1060	

Weight and price include QCB-S60  
Weight and price don't include teeth and half arrow

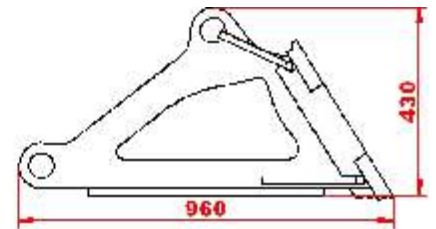
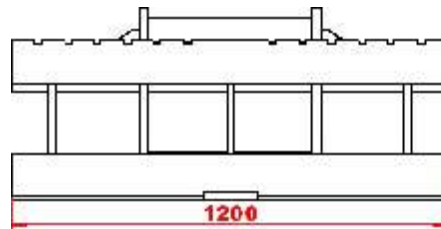
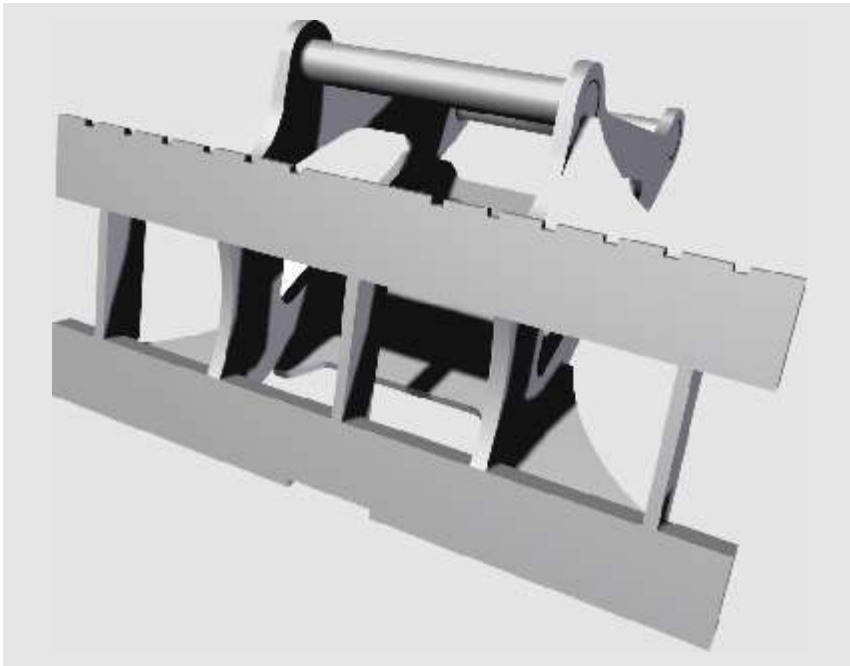
# PS14 12t-15t



Tradename	Width	Weight	Volume	Price
	(mm)	(kg)	(liters)	PLN
BU-PS14-1800	1800	582	835	
BU-PS14-2000	2000	620	940	
BU-PS14-2200	2200	658	1040	

Weight and price include QCB-S60  
Weight and price don't include teeth and half arrow

# PG14 12t-15t

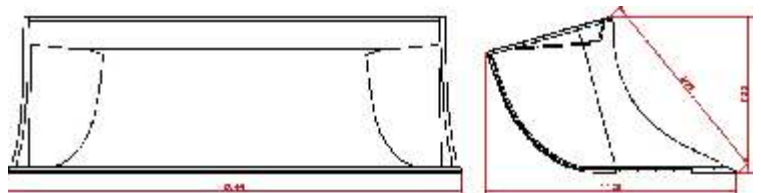
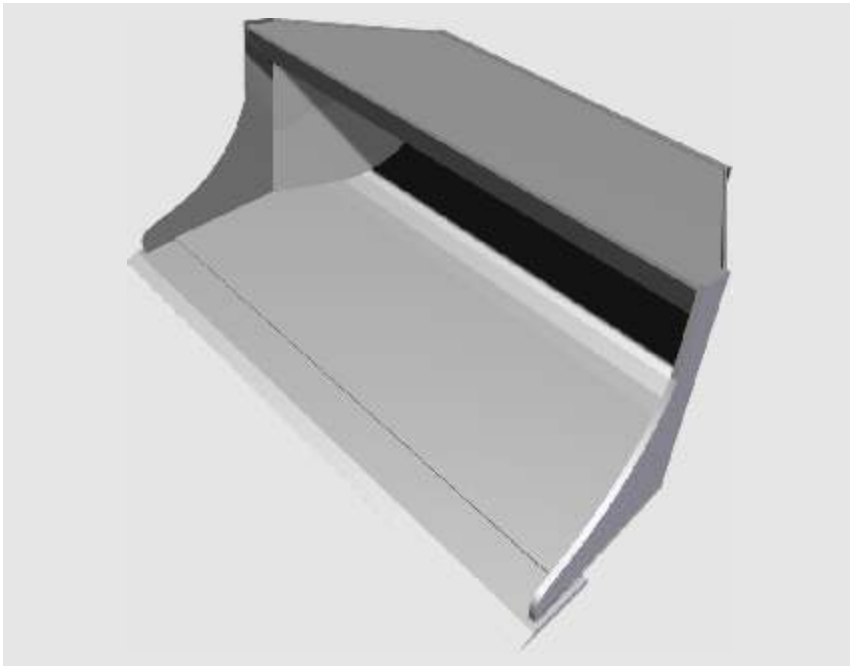


Tradename	Width	Weight	Volume	Price
	(mm)	(kg)	(liters)	PLN
BU-PG14-5T	1200	260	-	

Weight and price include QCB-S60  
 Weight and price don't include teeth and half arrow  
 Price does not include forks



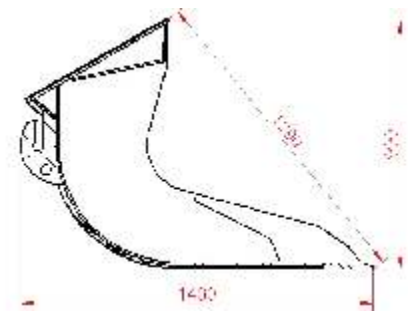
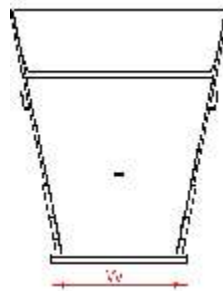
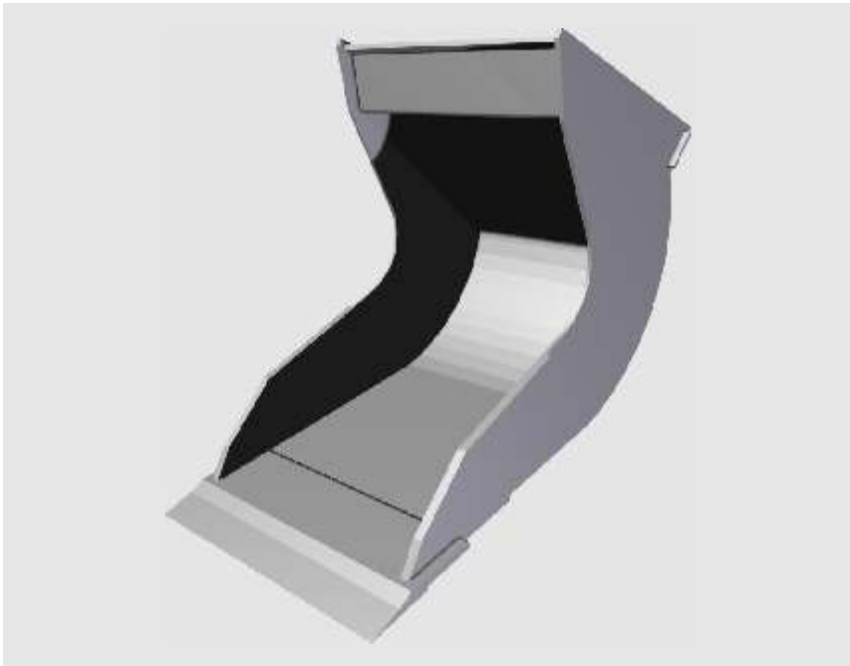
# SPS14 12t-15t



Tradename	Width	Weight	Volume	Price
	(mm)	(kg)	(liters)	PLN
BU-SPS14-1800	1800	575	910	
BU-SPS14-2000	2000	610	1030	
BU-SPS14-2200	2200	645	1150	

Weight and price include QCB-S60  
 Weight and price don't include teeth and half arrow

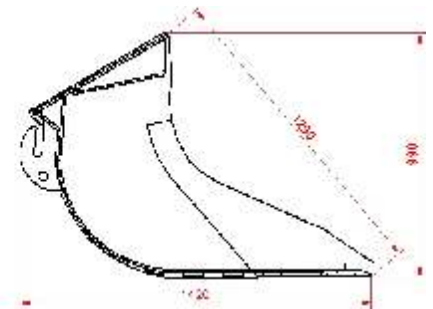
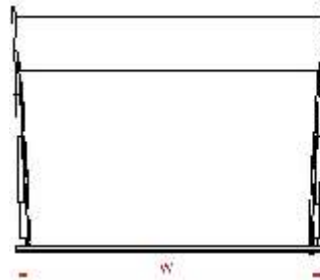
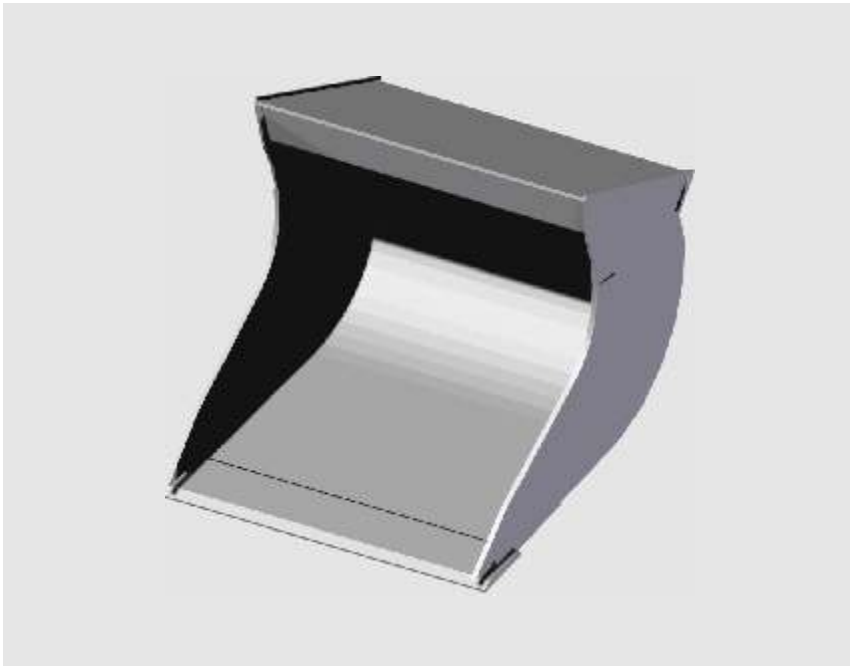
# KS18-L 16t-20t



Tradename	Width	Weight	Volume	Price
	(mm)	(kg)	(liters)	PLN
BU-KS18-400-L	400	375	510	
BU-KS18-500-L	500	398	545	
BU-KS18-600-L	600	412	590	
BU-KS18-800-L	800	458	700	

Weight and price include QCB-S70  
Weight and price don't include teeth and half arrow

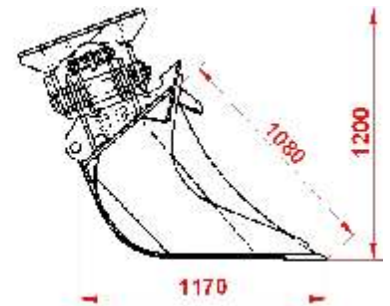
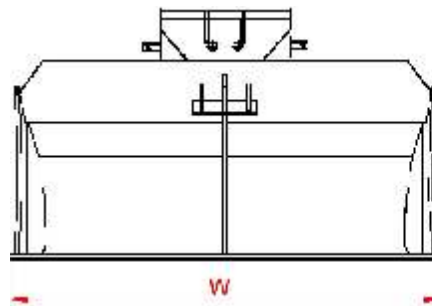
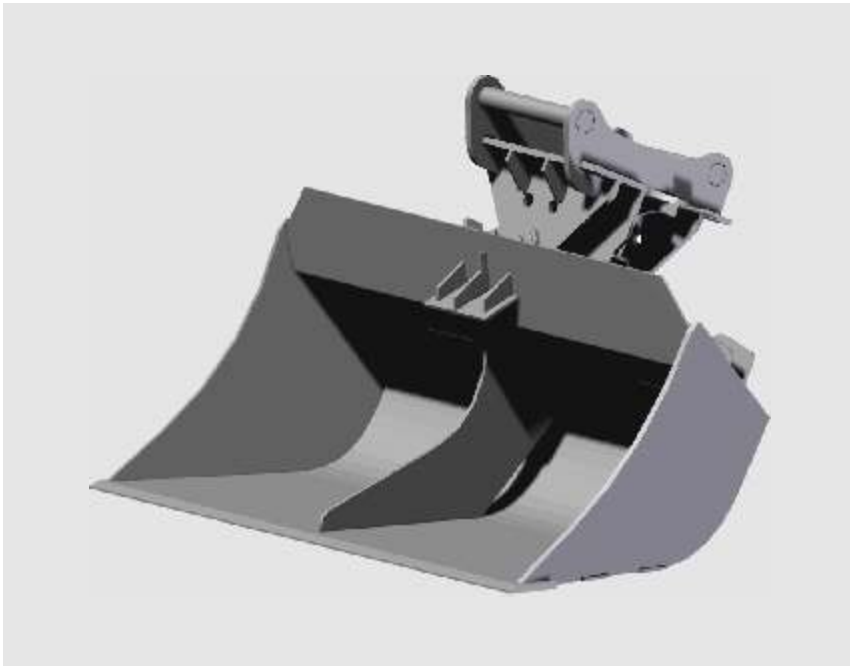
# GS18-L 16t-20t



Tradename	Width	Weight	Volume	Price
	(mm)	(kg)	(liters)	PLN
BU-GS18-800-L	800	458	700	
BU-GS18-900-L	900	496	820	
BU-GS18-1000-L	1000	535	905	
BU-GS18-1100-L	1100	572	1010	
BU-GS18-1200-L	1200	607	1120	
BU-GS18-1300-L	1300	642	1225	

Weight and price include QCB-S70  
Weight and price don't include teeth and half arrow

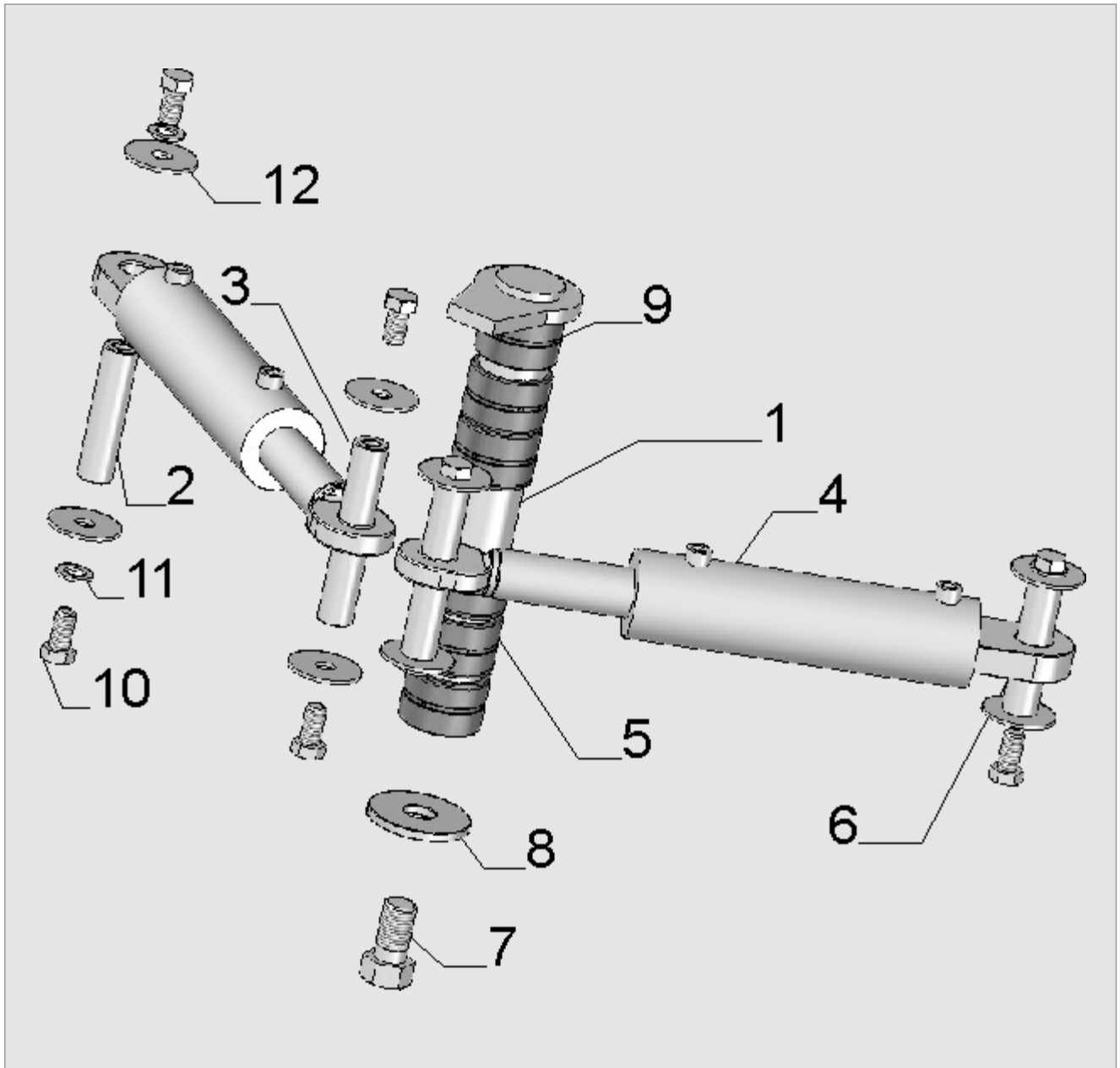
# TPS18 16t-20t



Tradename	Width	Weight	Volume	Price
	(mm)	(kg)	(liters)	PLN
BU-TPS18-2000	2000	1050	1300	

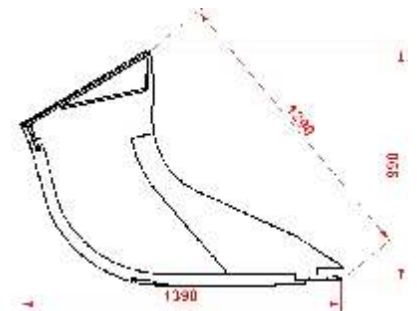
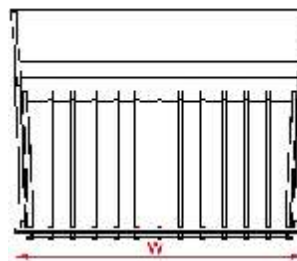
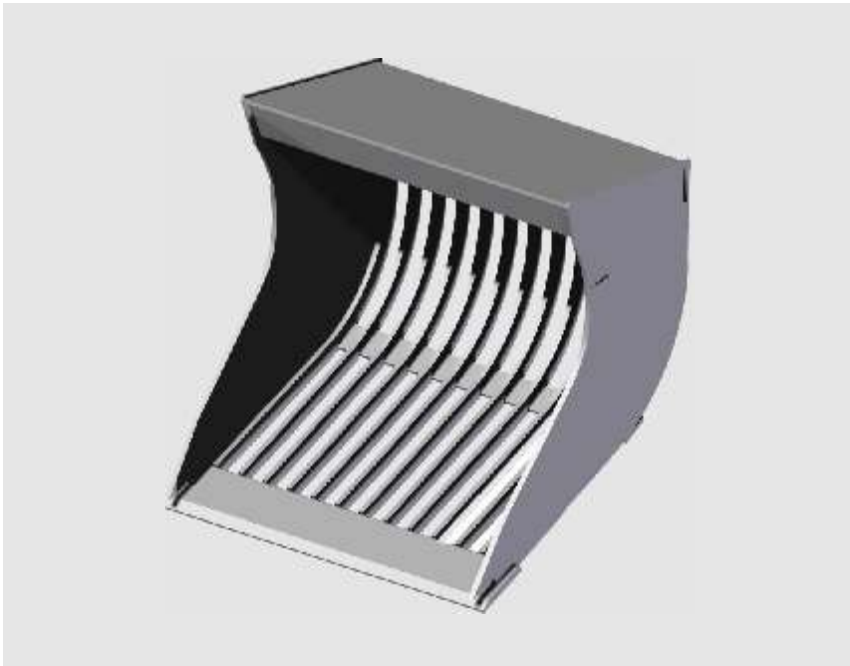
Weight and price include QCB-S70  
Weight and price don't include teeth and half arrow

### Spare parts for tilt bucket type TPS18



Pos.	Part number	Designation	Quantity
1	BU-SW-60x435-M24	Main shaft	1
2	BU-SW-35148-M20	Cylinder shaft	2
3	BU-SW-35195-M20	Cylinder shaft	2
4	BU-SIL-HYDR-DW-OB-50-80-300	Cylinder 50-80-300	2
5	BU-UCHO-SIL-GK35GR	Ear of the cylinder	2
6	BU-UCHO-SIL-GF35GR	Ear of the cylinder	2
7	M24x60	Bolt M33x60	1
8	BU-POD-105/34-10	Washer 105/34-10	1
9	BU-TUL-WYS-60x75x45 B4	Bushing 60x75x45 B4	6
10	M20x40	Bolt M20x40	8
11	POD-M20	Washer M20	8
12	BU-POD-75/21-5	Washer -75/21-5	8
13	POD-M24	Washer M24	1

# TRS18 16t-20t

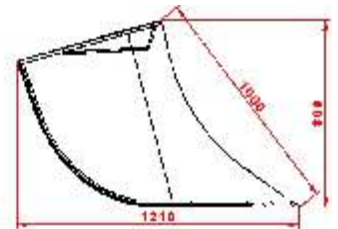
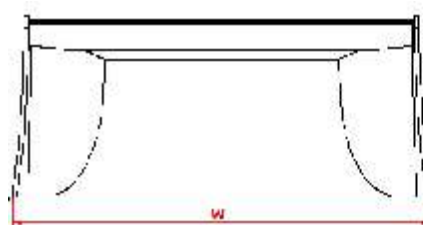
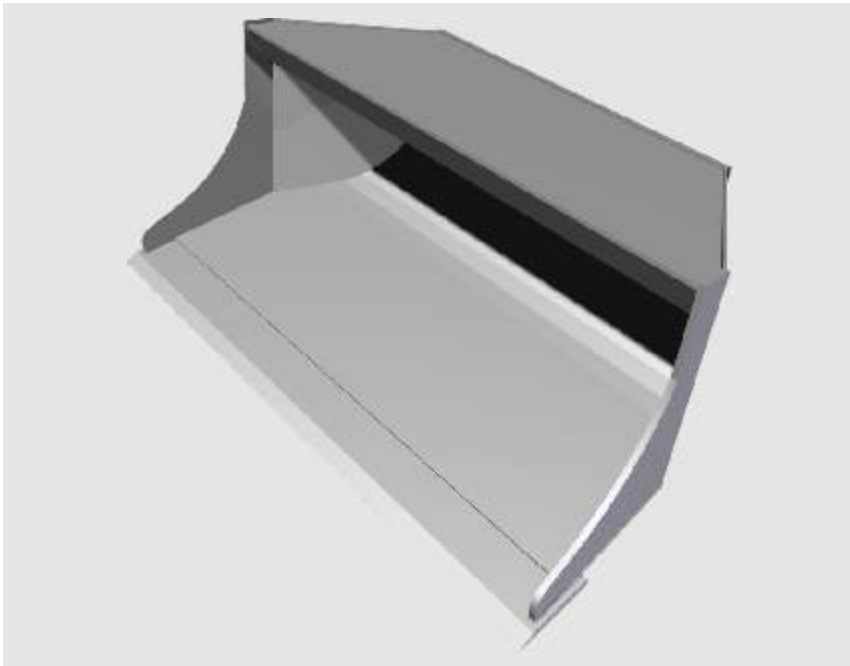


Tradename	Width	Weight	Volume	Price
	(mm)	(kg)	(liters)	PLN
BU-TRS18-1000	1000	461	905	
BU-TRS18-1200	1200	566	1120	
BU-TRS18-1400	1400	671	1330	

Weight and price include QCB-S70  
Weight and price don't include teeth and half arrow

# SPS18

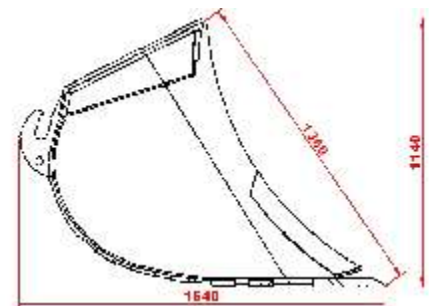
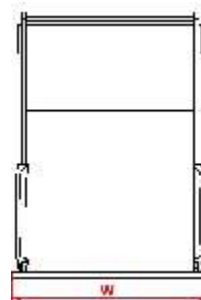
## 16t-20t



Tradename	Width	Weight	Volume	Price
	(mm)	(kg)	(liters)	PLN
BU-SPS18-1800	1800	675	1290	
BU-SPS18-2000	2000	778	1460	
BU-SPS18-2200	2200	881	1640	

Weight and price include QCB-S70  
 Weight and price don't include teeth and half arrow

# KS25 21t-28t

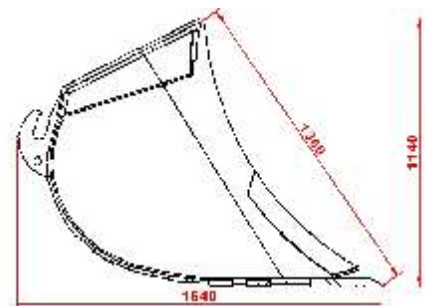
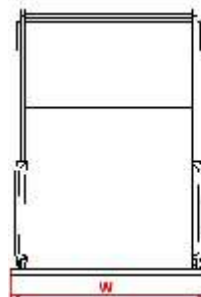
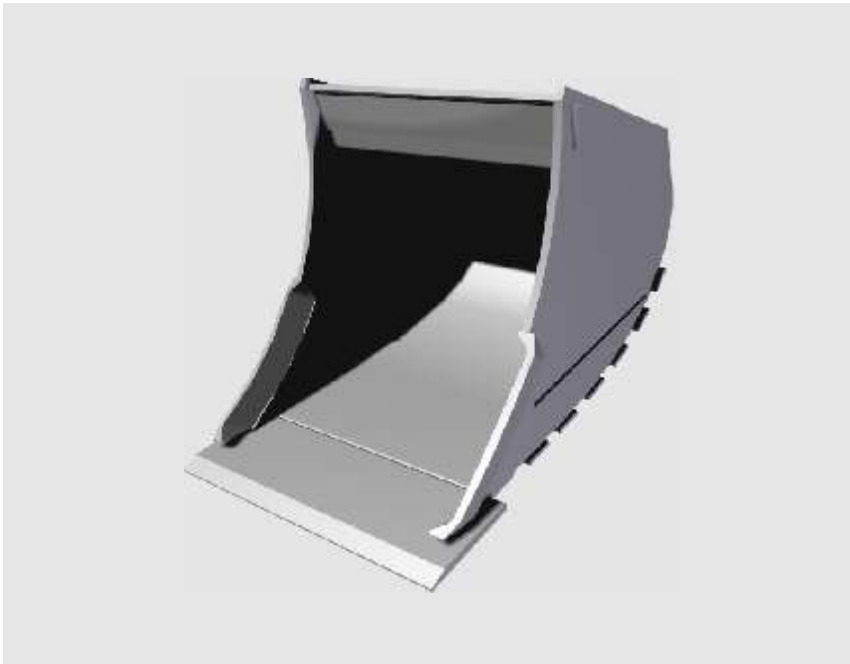


Tradename	Width	Weight	Volume	Price
	(mm)	(kg)	(liters)	PLN
BU-KS25-600	600	580	490	
BU-KS25-800	800	682	710	
BU-KS25-1000	1000	784	945	

Weight and price include QCB-S70  
Weight and price don't include teeth and half arrow



# GS25 21t-28t

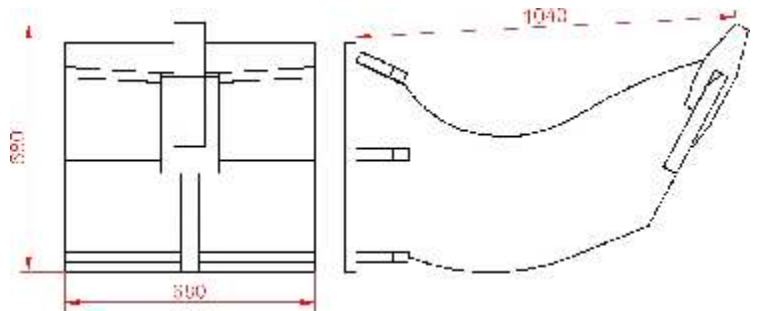


Tradename	Width	Weight	Volume	Price
	(mm)	(kg)	(liters)	PLN
BU-GS25-1200	1200	886	1190	
BU-GS25-1300	1300	937	1310	
BU-GS25-1400	1400	988	1435	
BU-GS25-1500	1500	1039	1560	

Weight and price include QCB-S70  
Weight and price don't include teeth and half arrow

# GRT25T

## 21t-28t

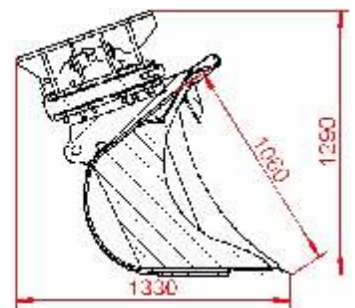
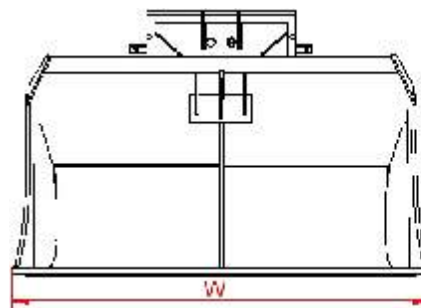
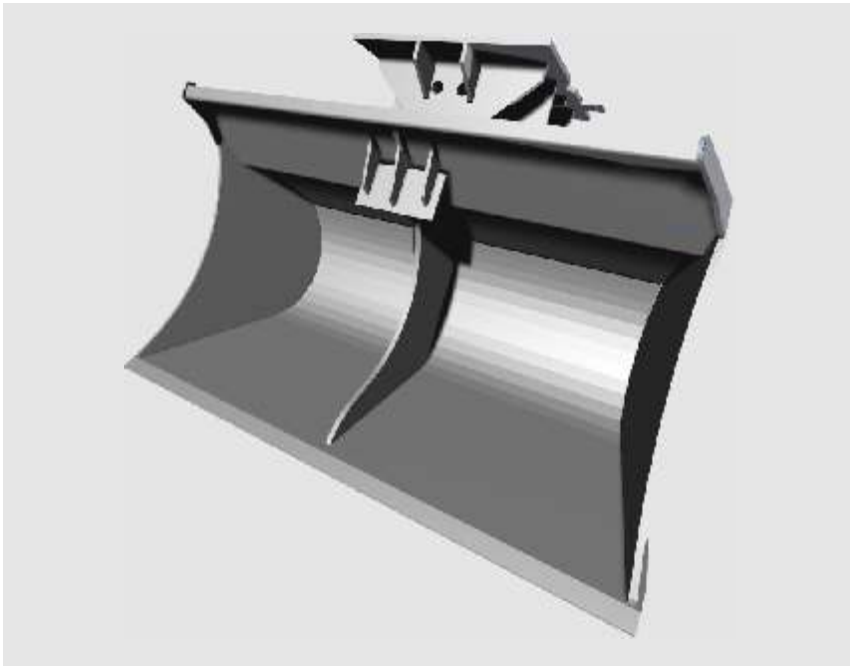


Tradename	Width	Weight	Volume	Price
	(mm)	(kg)	(liters)	PLN
BU-GRT25T-1200	680	440	-	

Weight and price include QCB-S70  
 Weight and price don't include teeth and half arrow

# TPSL25

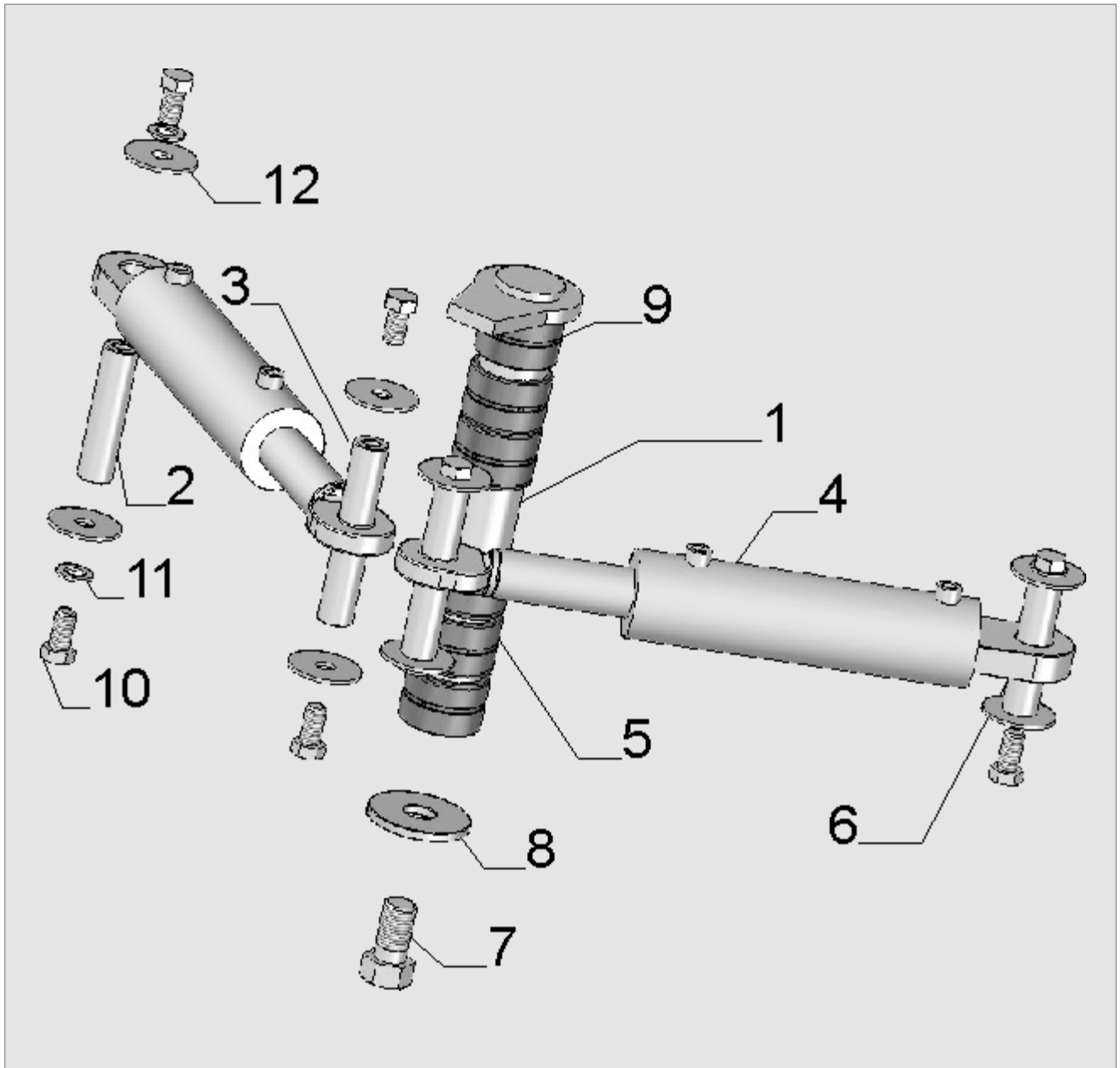
## 21t-28t



Tradename	Width	Weight	Volume	Price
	(mm)	(kg)	(liters)	PLN
BU-TPSL25-2000	2000	1180	1300	
BU-TPSL25-2200	2200	1300	1450	

Weight and price include QCB-S70  
 Weight and price don't include teeth and half arrow

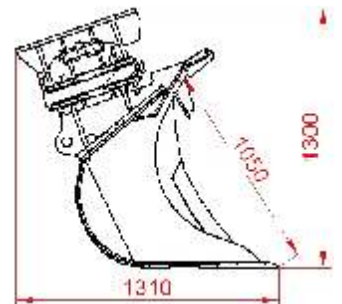
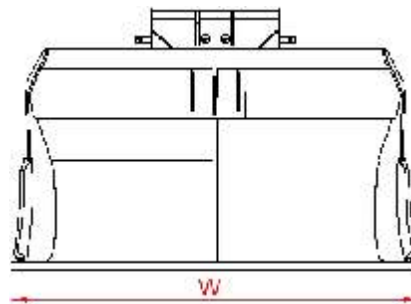
### Spare parts for tilt bucket type TPSL25



Pos.	Part number	Designation	Quantity
1	BU-SW-70460-M33	Main shaft	1
2	BU-SW-35145-M20	Cylinder shaft	2
3	BU-SW-35195-M20	Cylinder shaft	2
4	BU-SIL-HYD-DW-OB-50-80-200	Cylinder 50-80-200	2
5	BU-UCHO-SIL-GK35GR	Ear of the cylinder	2
6	BU-UCHO-SIL-GF35GR	Ear of the cylinder	2
7	M33x60	Bolt M33x60	1
8	BU-POD-105/34-10	Washer 105/34-10	1
9	BU-TUL-WYS-70x85x70 B3	Bushing 70x85x70 B3	6
10	M20x40	Bolt M20x40	8
11	POD-M20	Washer M20	8
12	BU-POD-75/21-5	Washer -75/21-5	8
13	POD-M33	Washer M33	1

# TPS25-HD

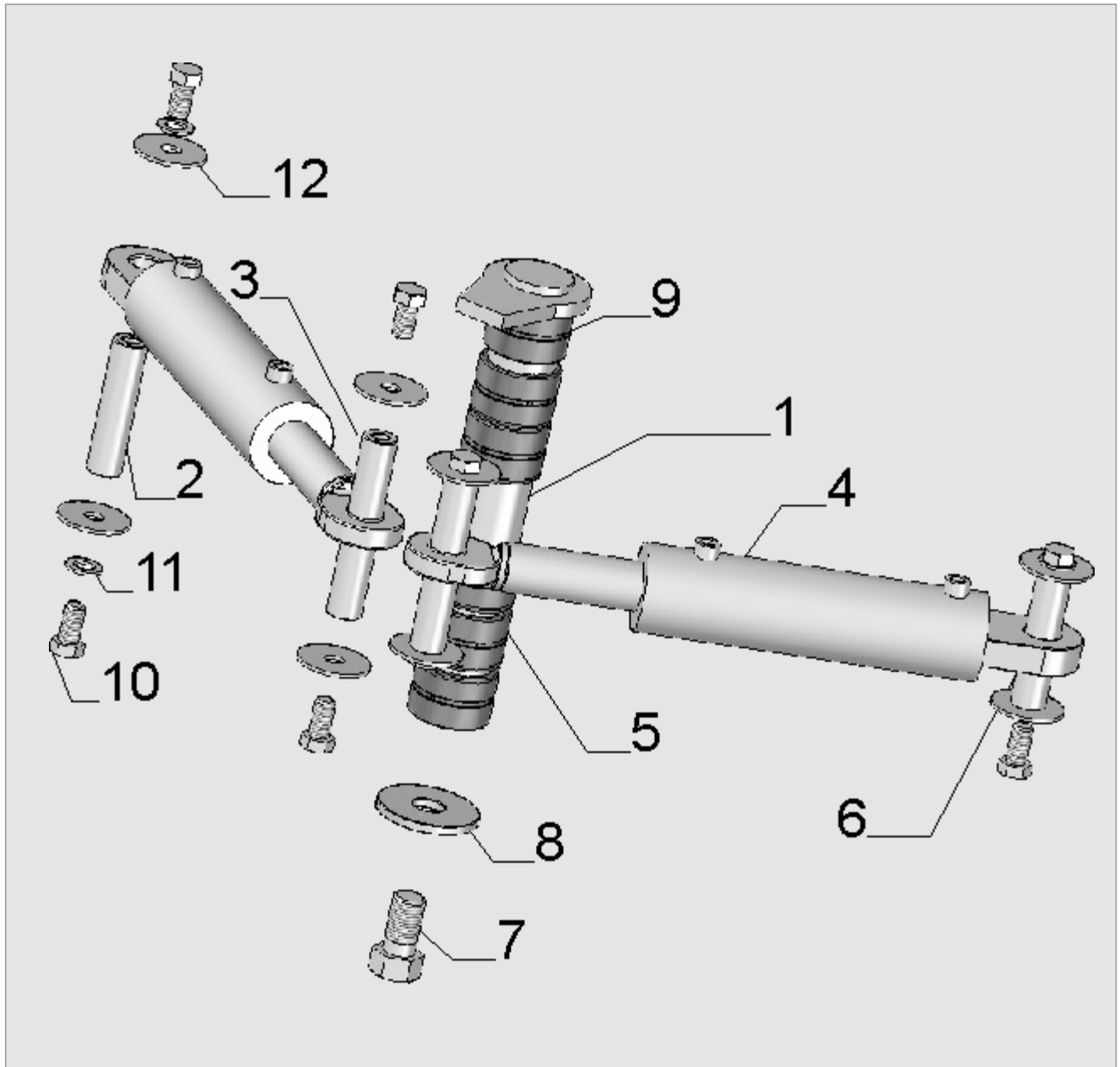
## 21t-28t



Tradename	Width	Weight	Volume	Price
	(mm)	(kg)	(liters)	PLN
BU-TPS25-2000-HD	2000	1180	1300	
BU-TPS25-2200-HD	2200	1300	1450	

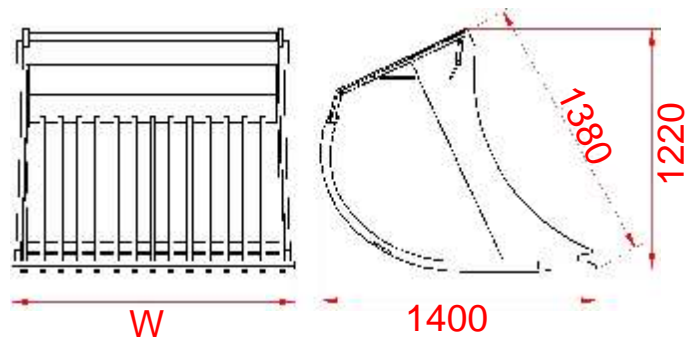
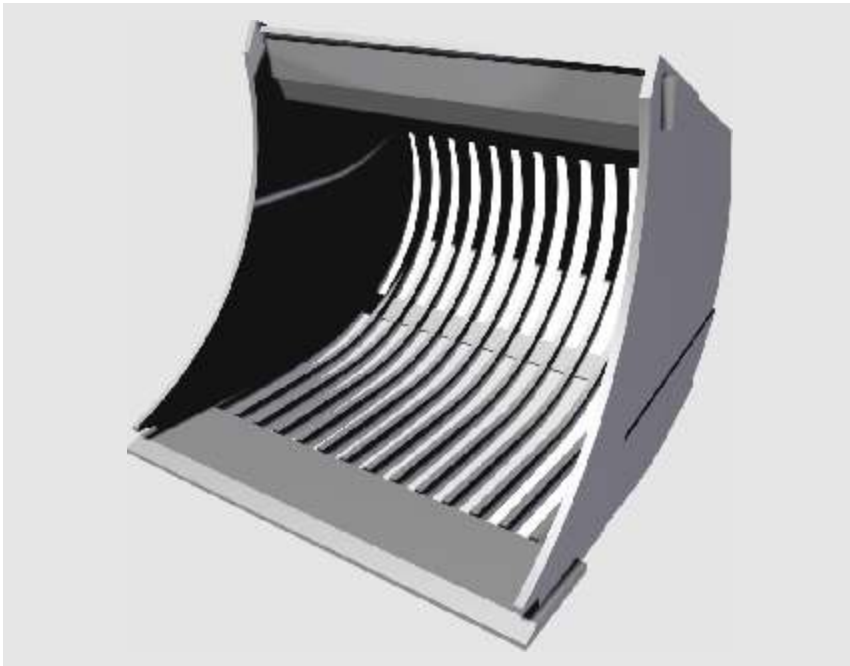
Weight and price include QCB-S70  
 Weight and price don't include teeth and half arrow

### Spare parts for tilt bucket type TPS25



Pos.	Part number	Designation	Quantity
1	BU-SW-70460-M33	Main shaft	1
2	BU-SW-35145-M20	Cylinder shaft	2
3	BU-SW-35195-M20	Cylinder shaft	2
4	BU-SIL-HYD-DW-OB-50-80-200	Cylinder 50-80-200	2
5	BU-UCHO-SIL-GK35GR	Ear of the cylinder	2
6	BU-UCHO-SIL-GF35GR	Ear of the cylinder	2
7	M33x60	Bolt M33x60	1
8	BU-POD-105/34-10	Washer 105/34-10	1
9	BU-TUL-WYS-70x85x70 B3	Bushing 70x85x70 B3	6
10	M20x40	Bolt M20x40	8
11	POD-M20	Washer M20	8
12	BU-POD-75/21-5	Washer -75/21-5	8
13	POD-M33	Washer M33	1

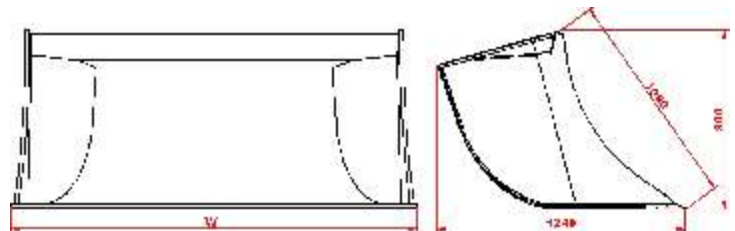
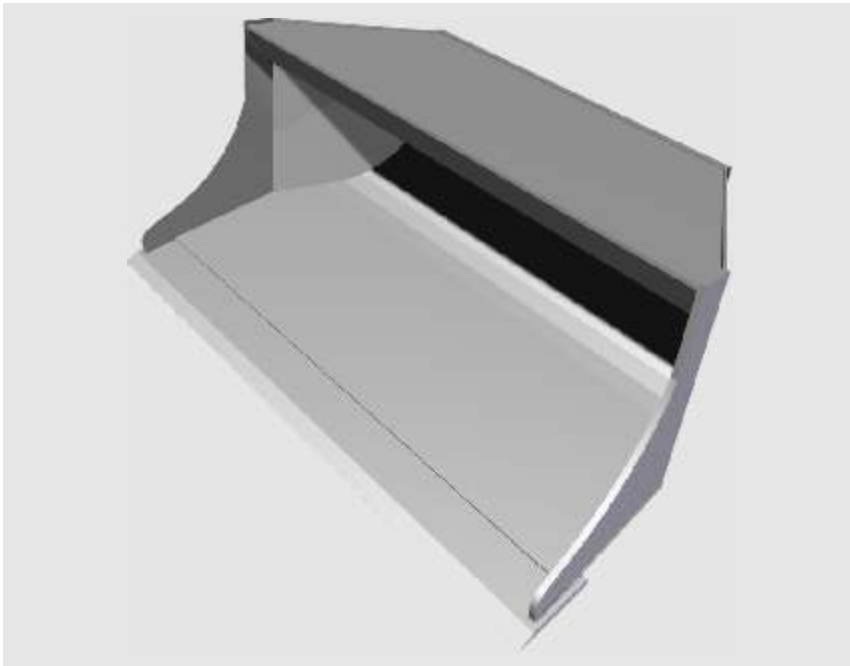
# TRS25 21t-28t



Tradename	Width	Weight	Volume	Price
	(mm)	(kg)	(liters)	PLN
BU-TRS25-1300	1300	940	1300	
BU-TRS25-1500	1500	1230	1560	
BU-TRS25-1700	1700	1420	1810	

Weight and price include QCB-S70  
Weight and price don't include teeth and half arrow

# SPS25 21t-28t

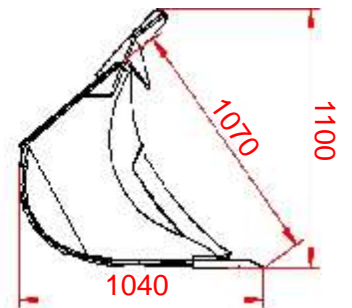
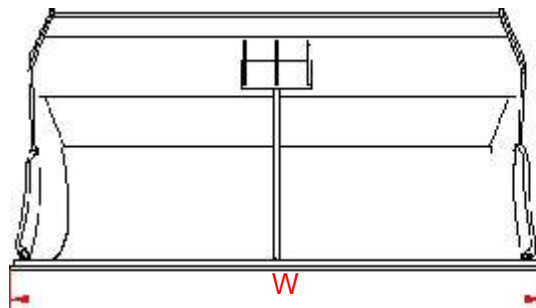
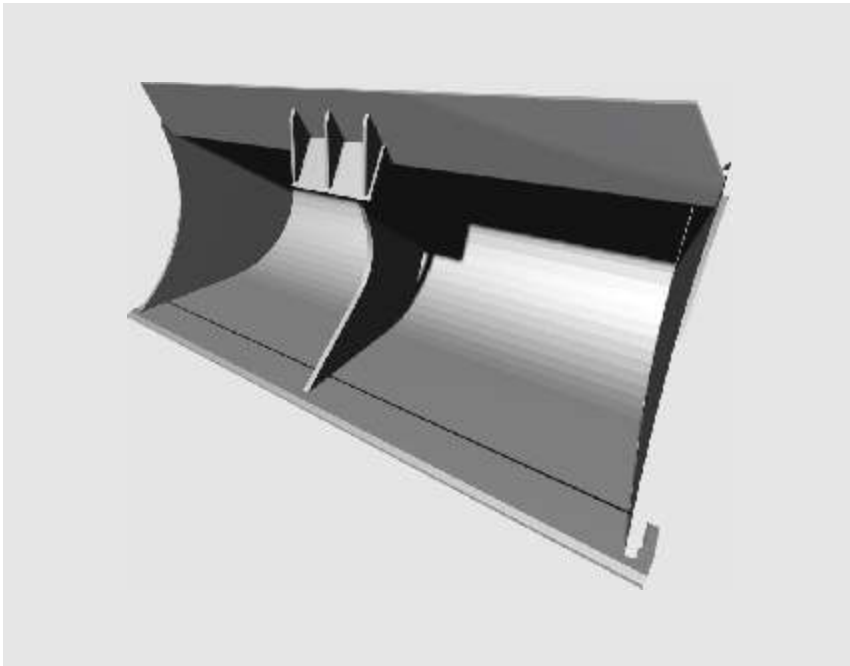


Tradename	Width	Weight	Volume	Price
	(mm)	(kg)	(liters)	PLN
BU-SPS25-2000	2000	780	1485	
BU-SPS25-2200	2200	858	1660	

Weight and price include QCB-S70  
Weight and price don't include teeth and half arrow



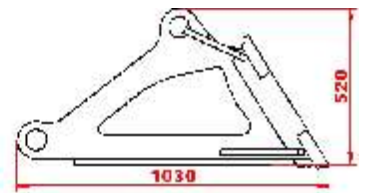
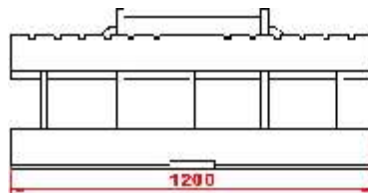
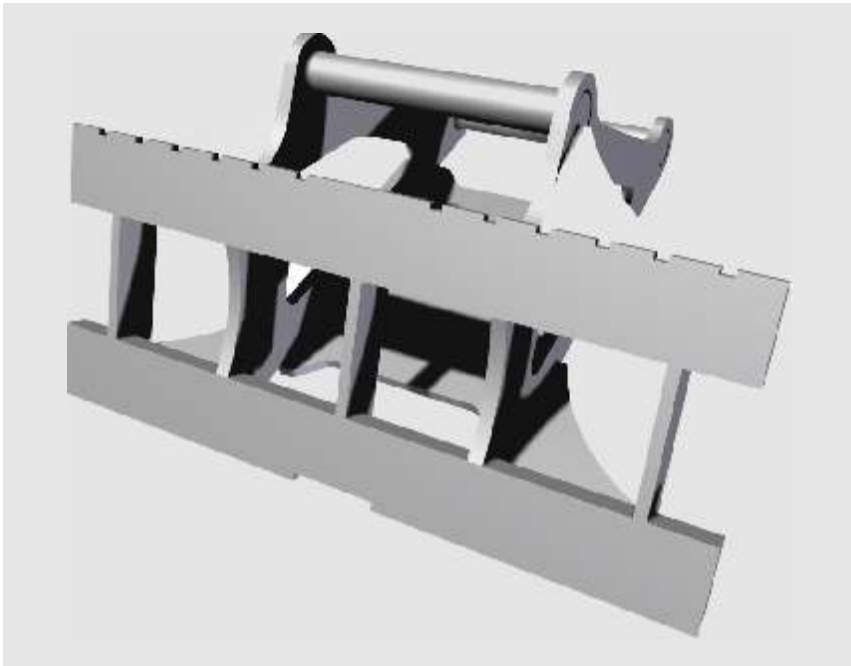
# PS25 21t-28t



Tradename	Width	Weight	Volume	Price
	(mm)	(kg)	(liters)	PLN
BU-PS25-2000	2000	927	1320	
BU-PS25-2200	2200	1000	1470	

Weight and price include QCB-S70  
Weight and price don't include teeth and half arrow

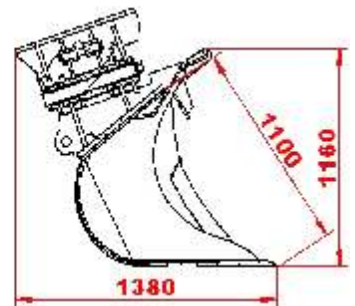
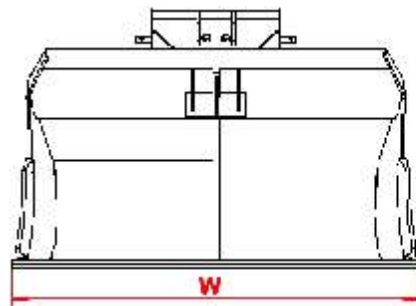
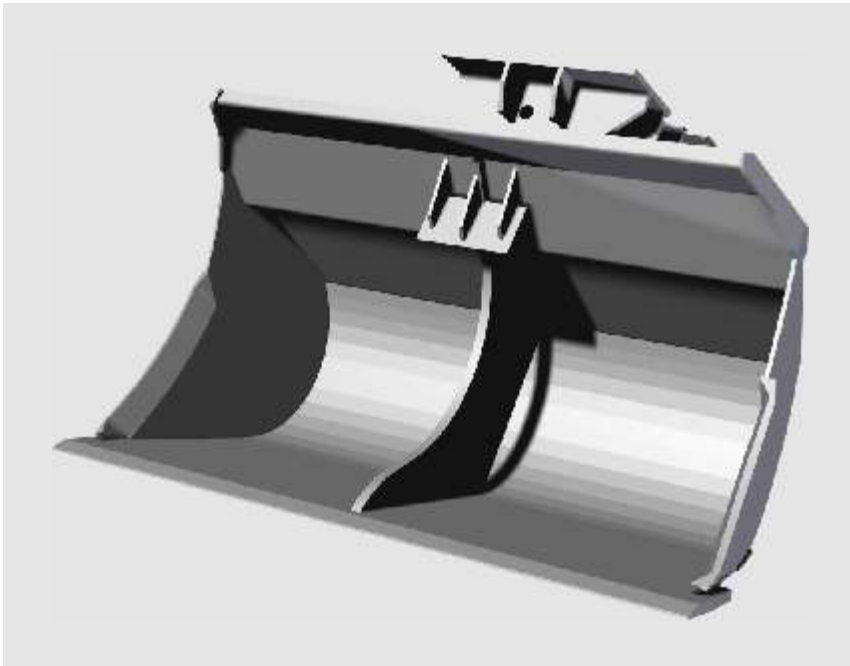
# PG25 21t-28t



Tradename	Width	Weight	Volume	Price
	(mm)	(kg)	(liters)	PLN
BU-PG25-5T	1200	300	-	

Weight and price include QCB-S70  
 Weight and price don't include teeth and half arrow  
 Price does not include forks

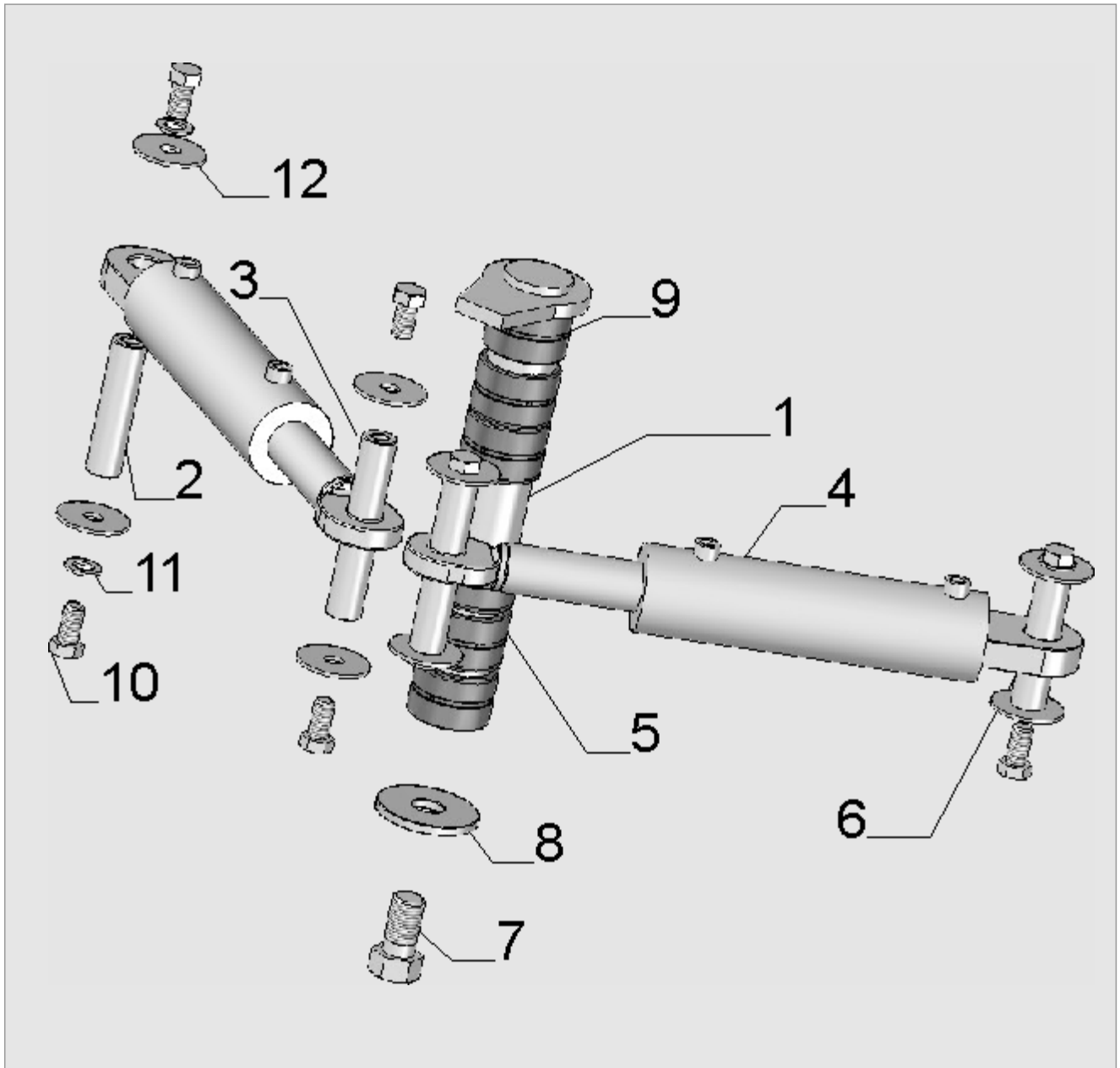
# TPS30-HD 30t-40t



Tradename	Width	Weight	Volume	Price
	(mm)	(kg)	(liters)	PLN
BU-TPS30-2000-HD	2000	1290	1450	
BU-TPS30-2200-HD	2200	1400	1590	

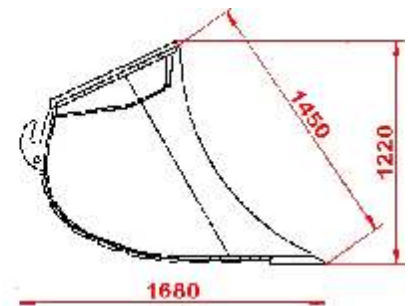
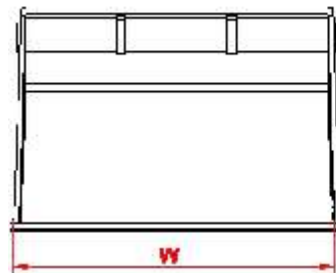
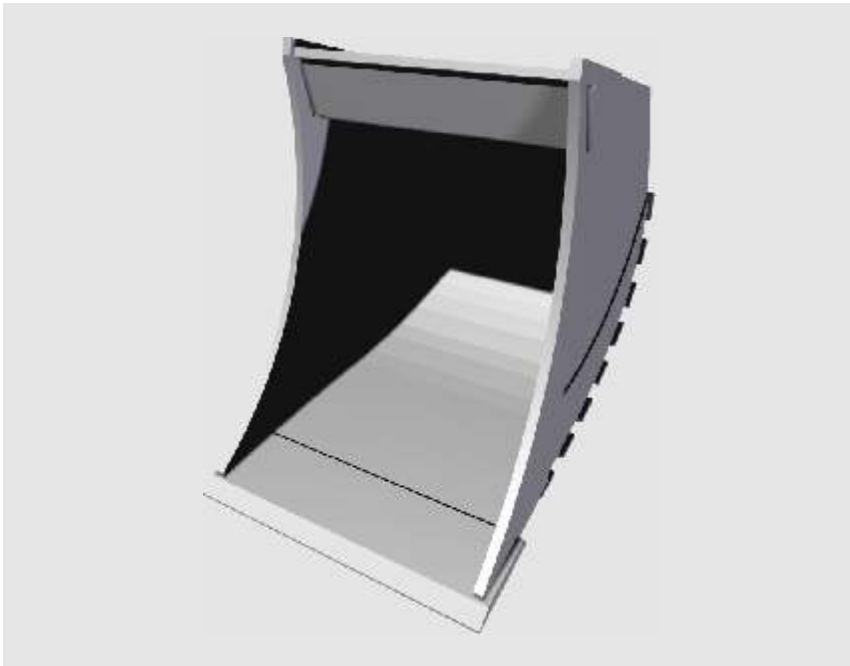
Weight and price include QCB-S80  
Weight and price don't include teeth and half arrow

### Spare parts for tilt bucket type TPS30-HD



Pos.	Part number	Designation	Quantity
1	BU-SW-70460-M33	Main shaft	1
2	BU-SW-35145-M20	Cylinder shaft	2
3	BU-SW-35195-M20	Cylinder shaft	2
4	BU-SIL-HYD-DW-OB-50-80-200	Cylinder 50-80-200	2
5	BU-UCHO-SIL-GK35GR	Ear of the cylinder	2
6	BU-UCHO-SIL-GF35GR	Ear of the cylinder	2
7	M33x60	Bolt M33x60	1
8	BU-POD-105/34-10	Washer 105/34-10	1
9	BU-TUL-WYS-70x85x70 B3	Bushing 70x85x70 B3	6
10	M20x40	Bolt M20x40	8
11	POD-M20	Washer M20	8
12	BU-POD-75/21-5	Washer -75/21-5	8
13	POD-M33	Washer M33	1

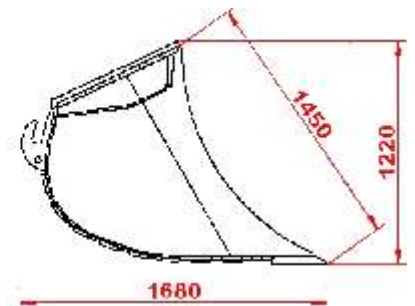
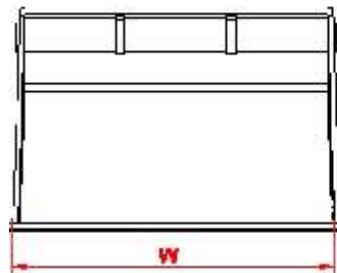
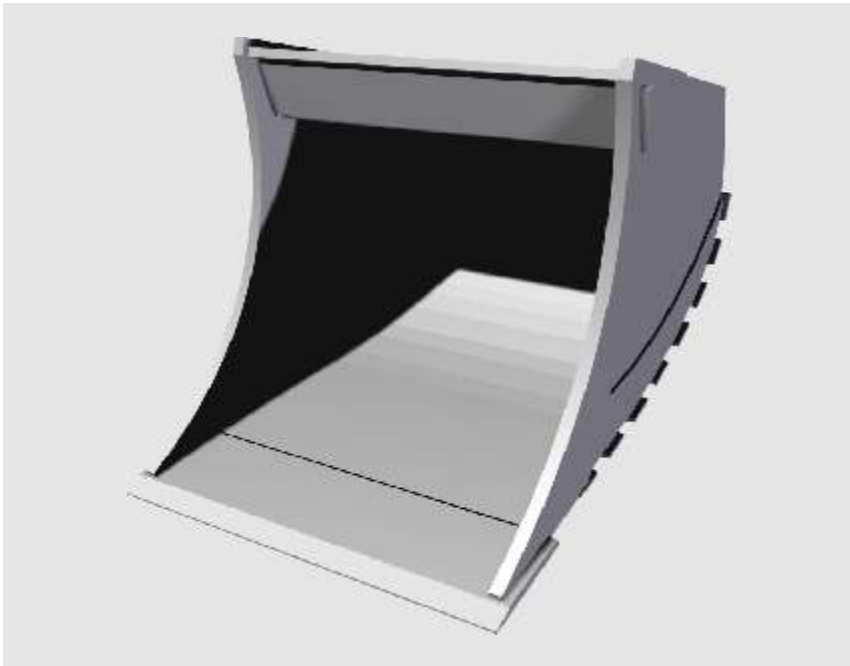
# KS35 30t-40t



Tradename	Width	Weight	Volume	Price
	(mm)	(kg)	(liters)	PLN
BU-KS35-800	800	936	820	
BU-KS35-1000	1000	1120	1100	
BU-GS35-1200	1200	1395	1415	

Weight and price include ( )  
Weight and price don't incl

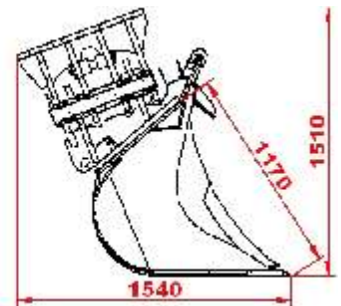
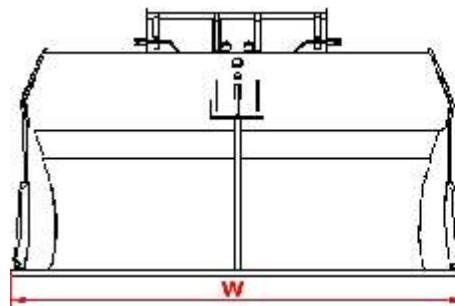
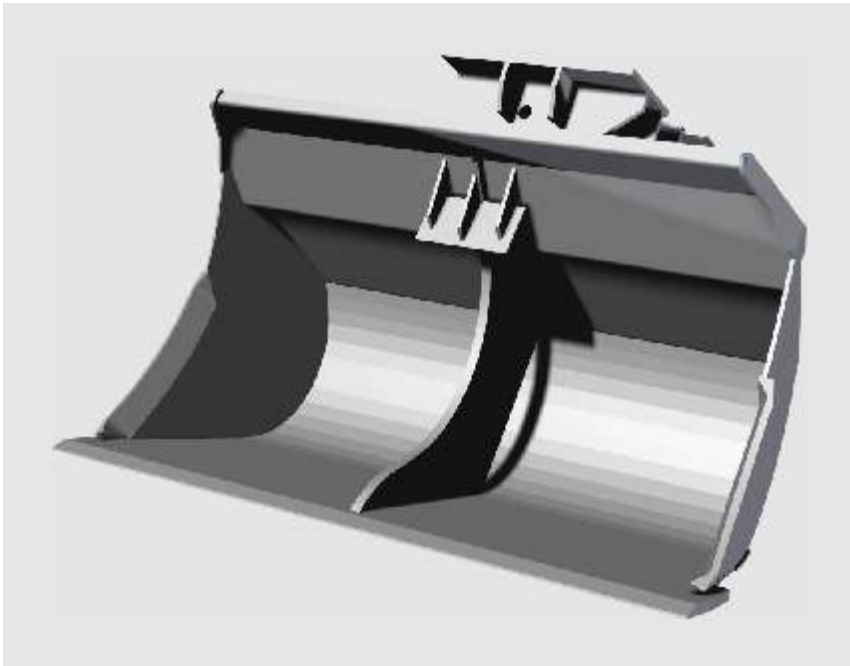
# GS35 30t-40t



Tradename	Width	Weight	Volume	Price
	(mm)	(kg)	(liters)	PLN
BU-GS35-1400	1400	1475	1710	
BU-GS35-1500	1500	1515	1855	
BU-GS35-1600	1600	1560	2000	
BU-GS35-1700	1700	1595	2145	
BU-GS35-1800	1800	1640	2290	

Weight and price include QCB-S80  
Weight and price don't include teeth and half arrow

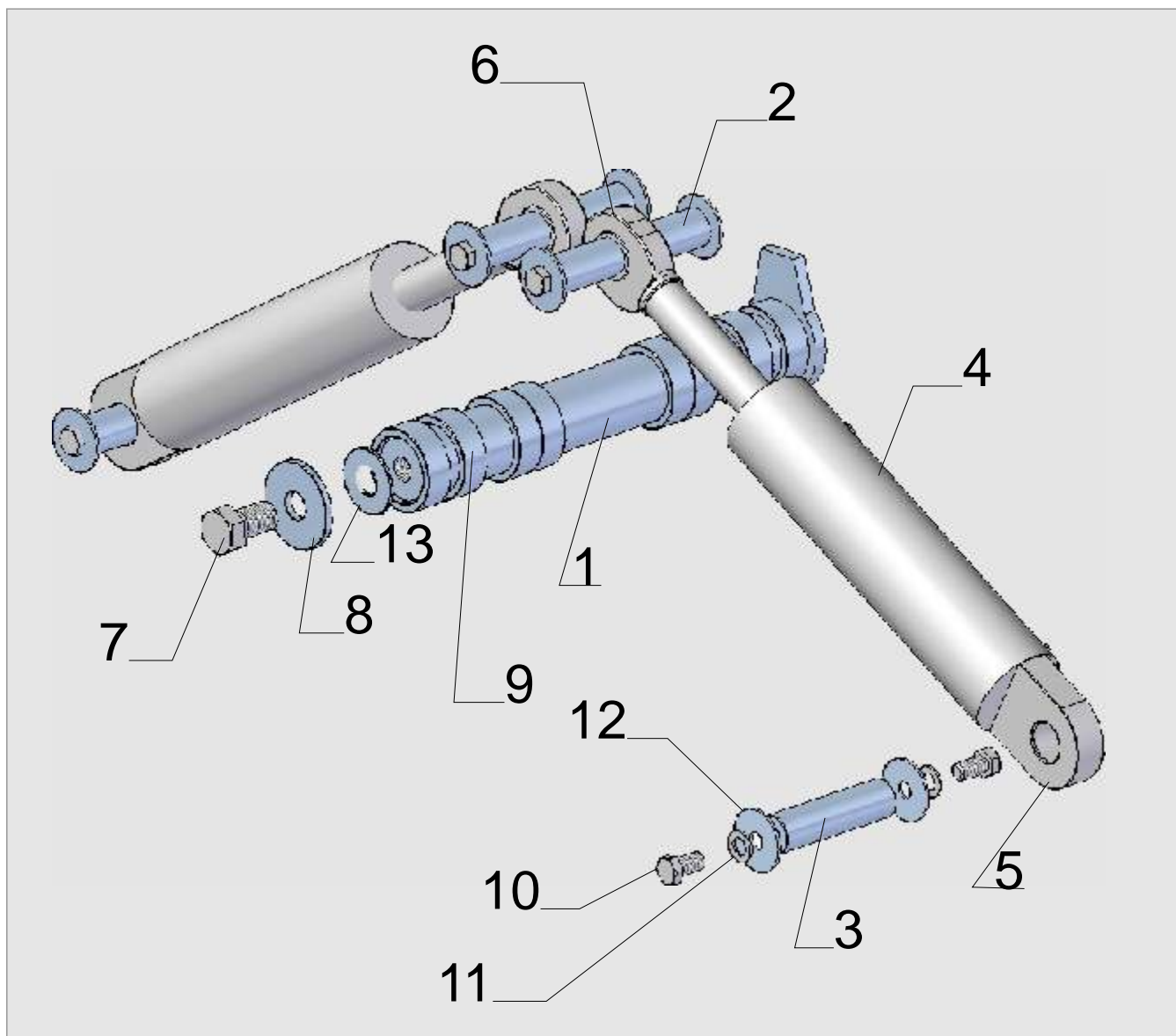
# TPS35-HD 30t-40t



Tradename	Width	Weight	Volume	Price
	(mm)	(kg)	(liters)	PLN
BU-TPS35-2300	2300	2240	1860	
BU-TPS35-2500	2500	2350	2050	

Weight and price include QCB-S80  
Weight and price don't include teeth and half arrow

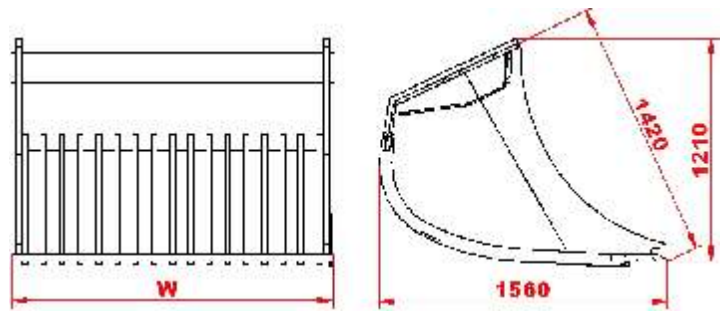
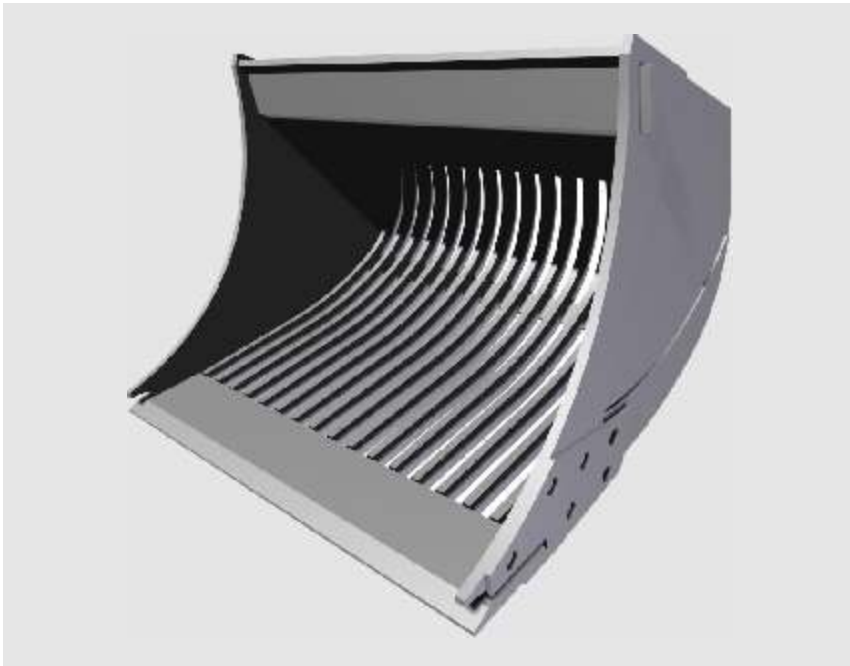
### Spare parts for tilt bucket type TPS35



Pos.	Part number	Designation	Quantity
1	BU-SW-80580-M33	Main shaft	1
2	BU-SW-45235-M20	Cylinder shaft	2
3	BU-SW-45170-M20	Cylinder shaft	2
4	BU-SIL-HYD-DW-OB-50-100-300	Cylinder 50-100-300	2
5	BU-UCHO-SIL-GF45GR	Ear of the cylinder	2
6	BU-UCHO-SIL-GK45GR	Ear of the cylinder	2
7	M33x60	Bolt M33x60	1
8	BU-POD-105/34-10	Washer 105/34-10	1
9	BU-TUL-80X99X35 B3	Bushing	8
10	M20x40	Bolt M20x40	8
11	POD-M20	Washer M20	8
12	BU-POD-75/21-5	Washer 75/21-5	8
13	BU-POD-80/34-5	Washer 80/34-5	1
	POD-M33	Washer M33	1



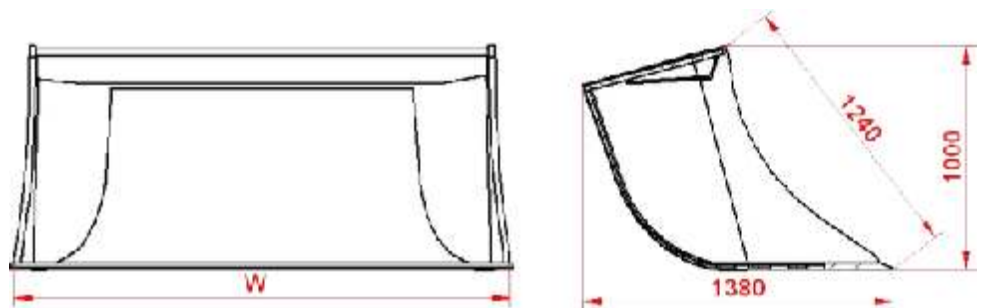
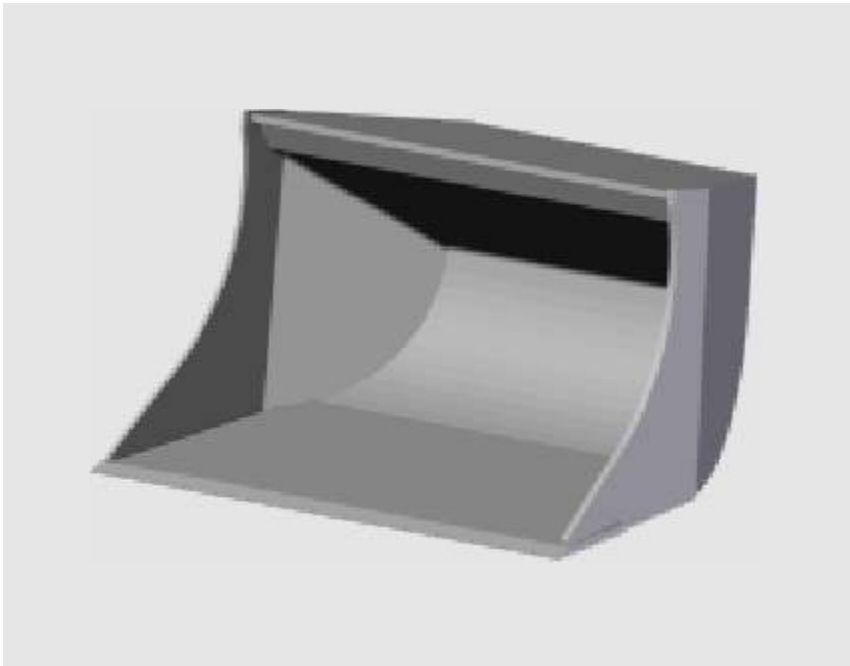
# TRS35 30t-40t



Tradename	Width	Weight	Volume	Price
	(mm)	(kg)	(liters)	PLN
BU-TRS35-1500	1500	1536	1855	
BU-TRS35-1700	1700	1606	2145	

Weight and price include QCB-S80  
Weight and price don't include teeth and half arrow

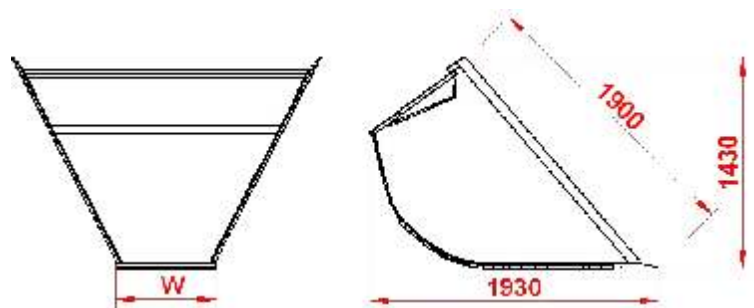
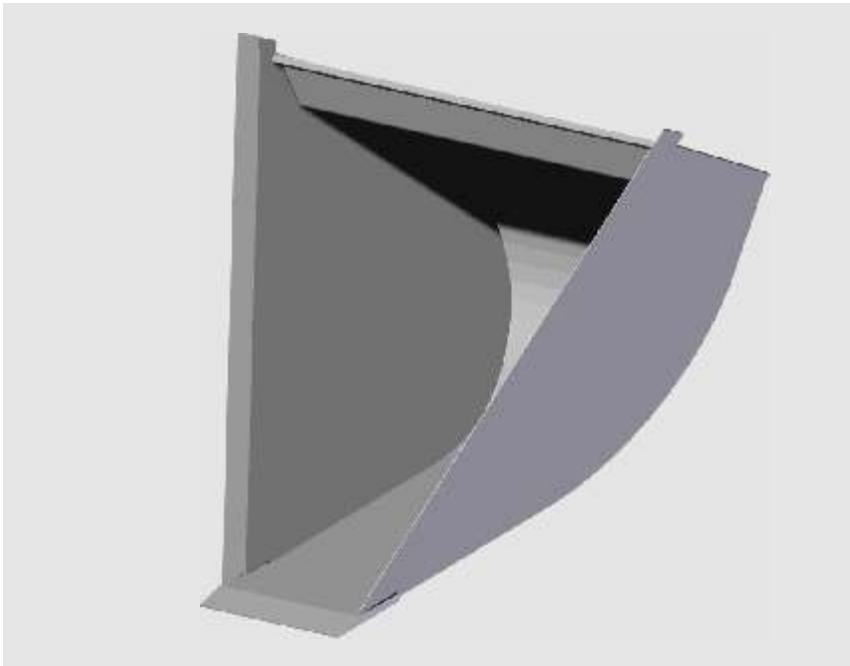
# TRS35 30t-40t



Tradename	Width	Weight	Volume	Price
	(mm)	(kg)	(liters)	PLN
BU-SPS35-2000	2000	970	1700	
BU-SPS35-2200	2200	1180	1950	

Weight and price include QCB-S80  
Weight and price don't include teeth and half arrow

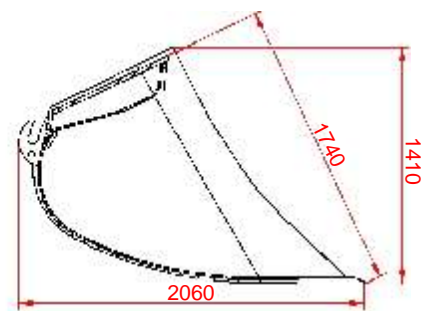
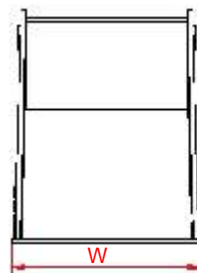
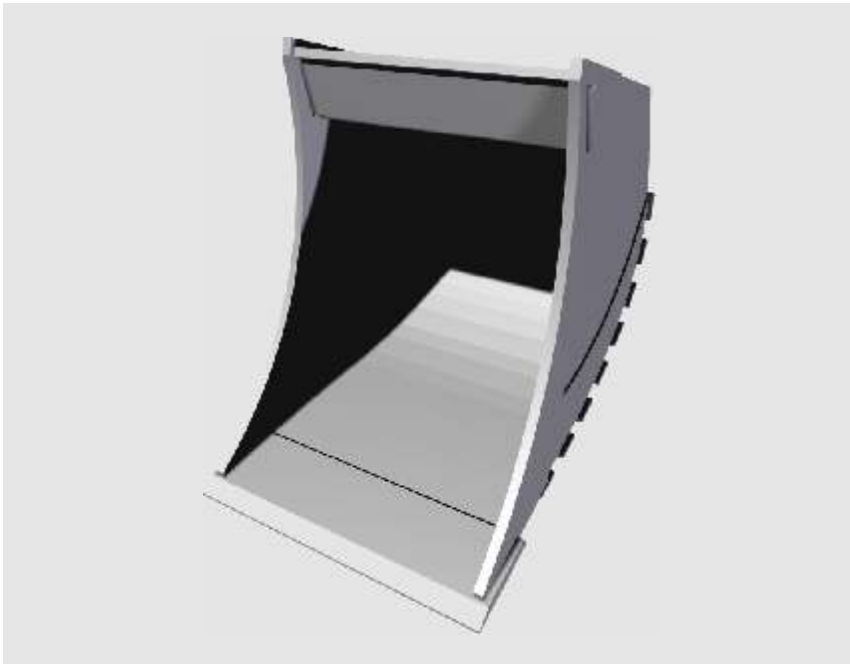
# PFS35 30t-40t



Tradename	Width	Weight	Volume	Price
	(mm)	(kg)	(liters)	PLN
BU-PFS35-600/2100	600	1345	2480	

Weight and price include QCB-S80  
Weight and price don't include teeth and half arrow

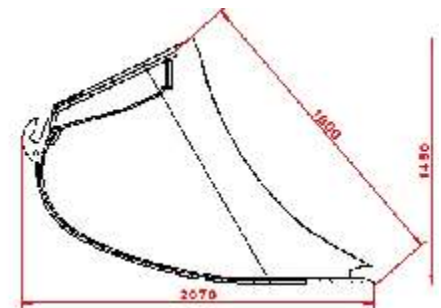
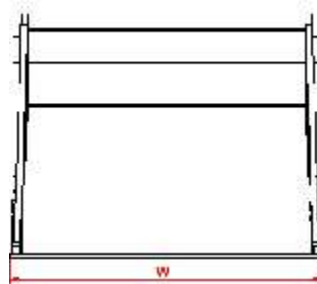
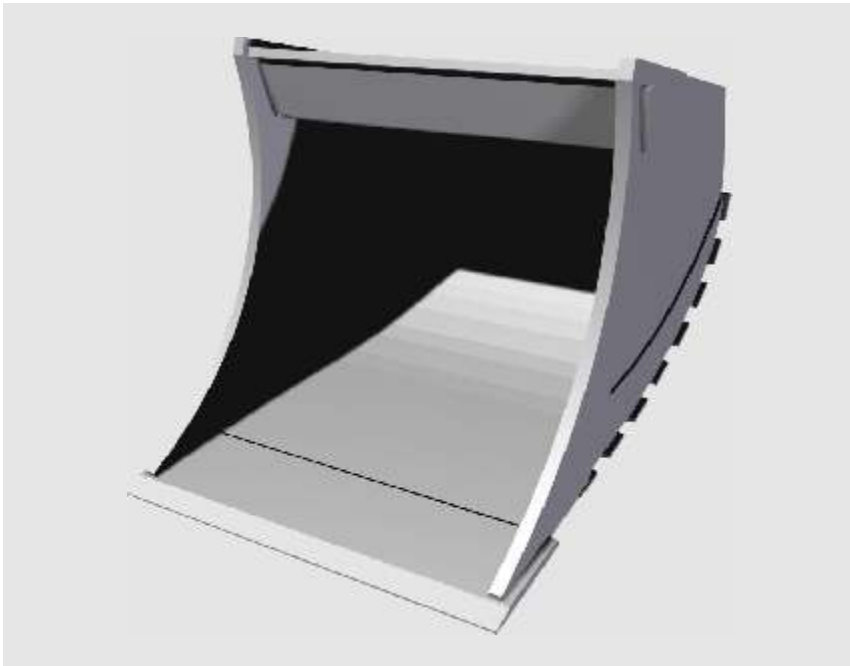
# KS50 42t-55t



Tradename	Width	Weight	Volume	Price
	(mm)	(kg)	(liters)	PLN
BU-KS50-600	600	1312	1390	
BU-KS50-800	800	1455	1510	
BU-KS50-1100	1100	1573	1700	

Weight and price include QCB-S80  
Weight and price don't include teeth and half arrow

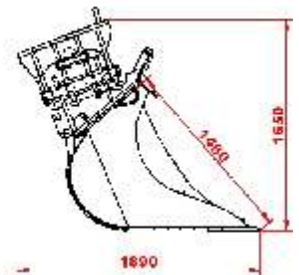
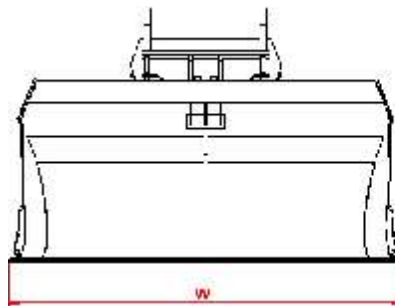
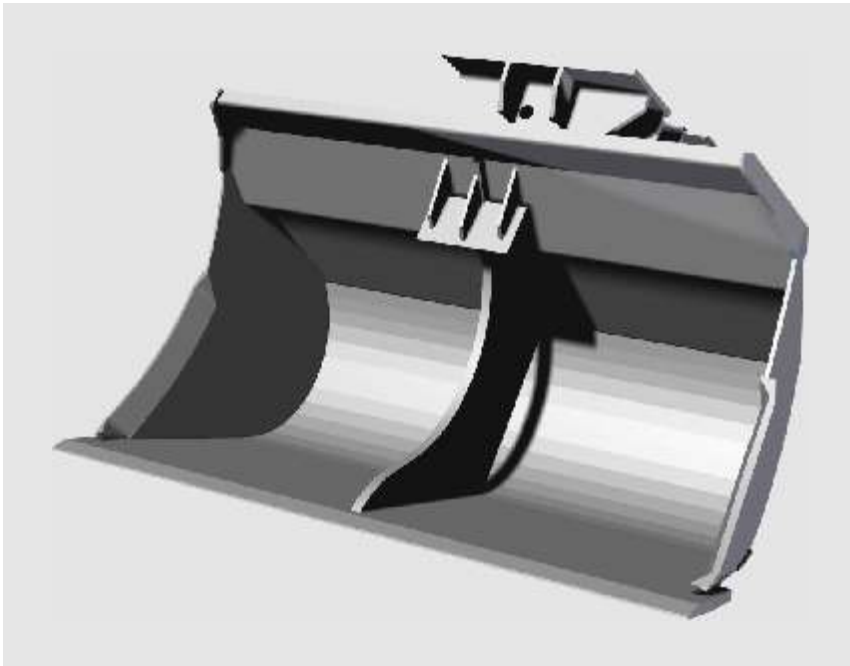
# GS50 42t-55t



Tradename	Width	Weight	Volume	Price
	(mm)	(kg)	(liters)	PLN
BU-GS50-1500	1500	1800	2460	63642
BU-GS50-1800	1800	2160	3080	68624
BU-GS50-2000	2000	2365	3490	71946
BU-GS50-2200	2200	2570	3900	75267

Weight and price include QCB-S80  
Weight and price don't include teeth and half arrow

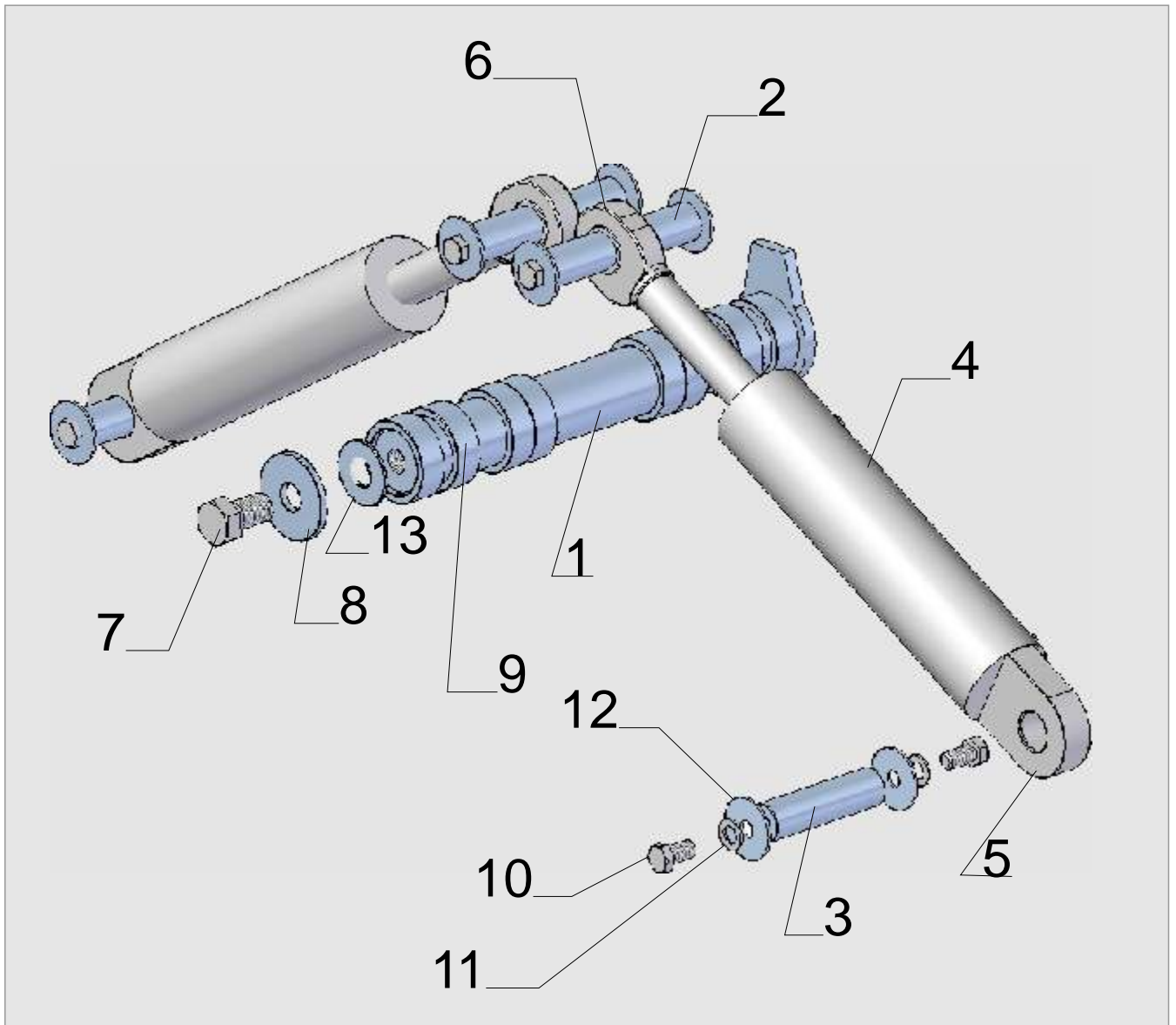
# TPS50-L 42t-55t



Tradename	Width	Weight	Volume	Price
	(mm)	(kg)	(liters)	PLN
BU-TPS50-3000-L	3000	2980	3880	

Weight and price include QCB-CW55  
Weight and price don't include teeth and half arrow

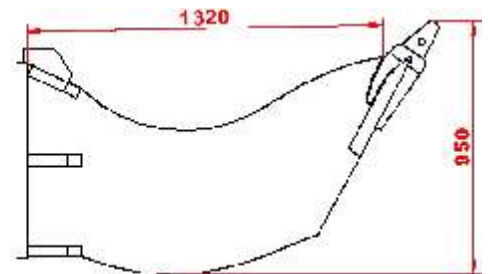
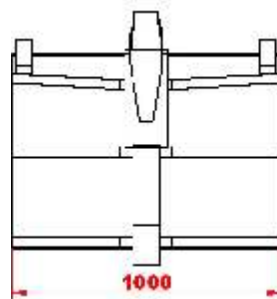
### Spare parts for tilt bucket type TPS50-L



Pos.	Part number	Designation	Quantity
1	BU-SW-80580-M33	Main shaft	1
2	BU-SW-45235-M20	Cylinder shaft	2
3	BU-SW-45170-M20	Cylinder shaft	2
4	BU-SIL-HYD-DW-OB-50-100-300	Cylinder 50-100-300	2
5	BU-UCHO-SIL-GF45GR	Ear of the cylinder	2
6	BU-UCHO-SIL-GK45GR	Ear of the cylinder	2
7	M33x60	Bolt M33x60	1
8	BU-POD-105/34-10	Washer 105/34-10	1
9	BU-TUL-80X99X35 B3	Bushing	8
10	M20x40	Bolt M20x40	8
11	POD-M20	Washer M20	8
12	BU-POD-75/21-5	Washer 75/21-5	8
13	BU-POD-80/34-5	Washer 80/34-5	1
	POD-M33	Washer M33	1

# GRT50T

## 42t-55t

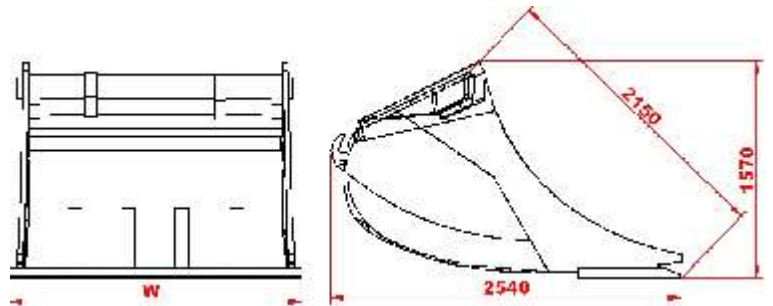
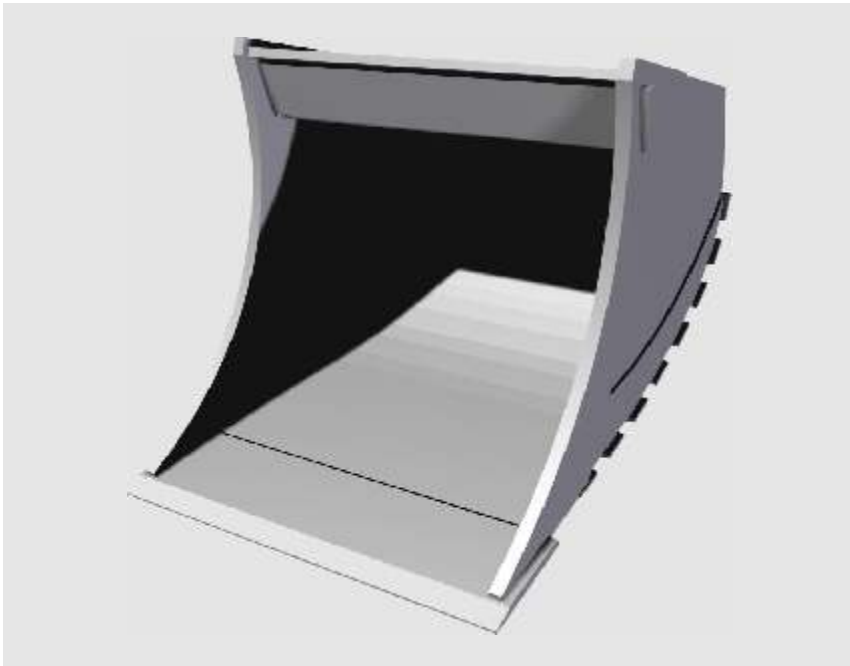


Tradename	Width	Weight	Volume	Price
	(mm)	(kg)	(liters)	PLN
BU-GRT50T-1500	1050	1240	-	

Weight and price include QCB-S80  
 Weight and price don't include teeth and half arrow



# GS80 58t-85t

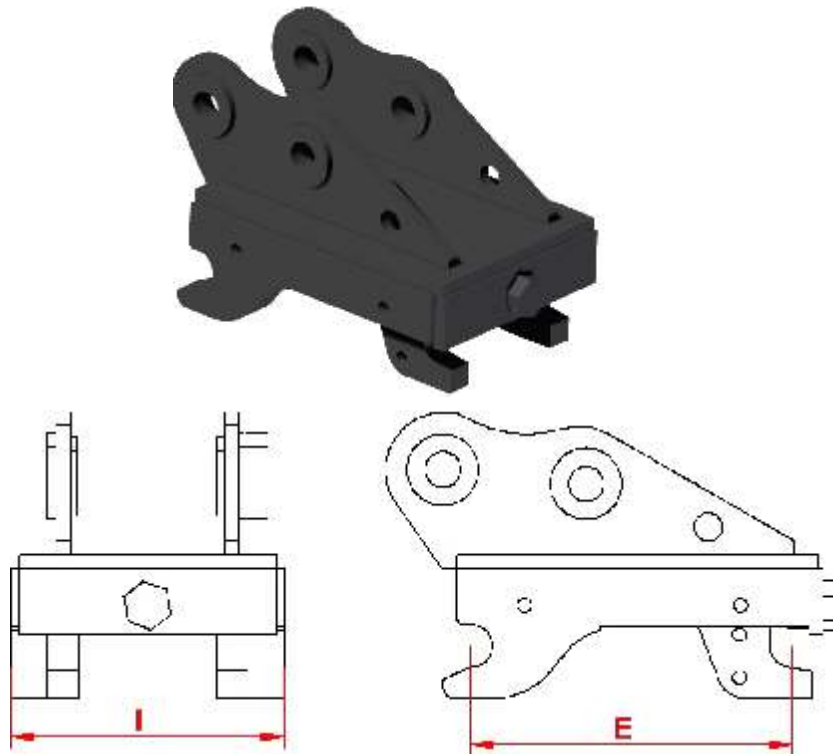


Tradename	Width	Weight	Volume	Price
	(mm)	(kg)	(liters)	PLN
BU-GS80-2000	2000	2800	4700	

Weight and price include QCB-CW70  
 Weight and price don't include teeth and half arrow

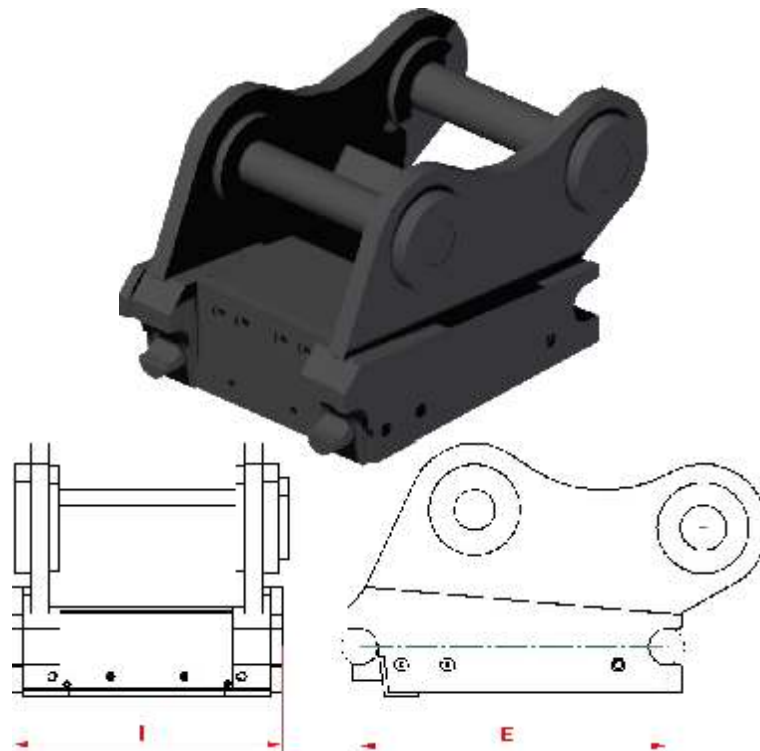


## Mechanic Quick Hitch Connectors for Excavator



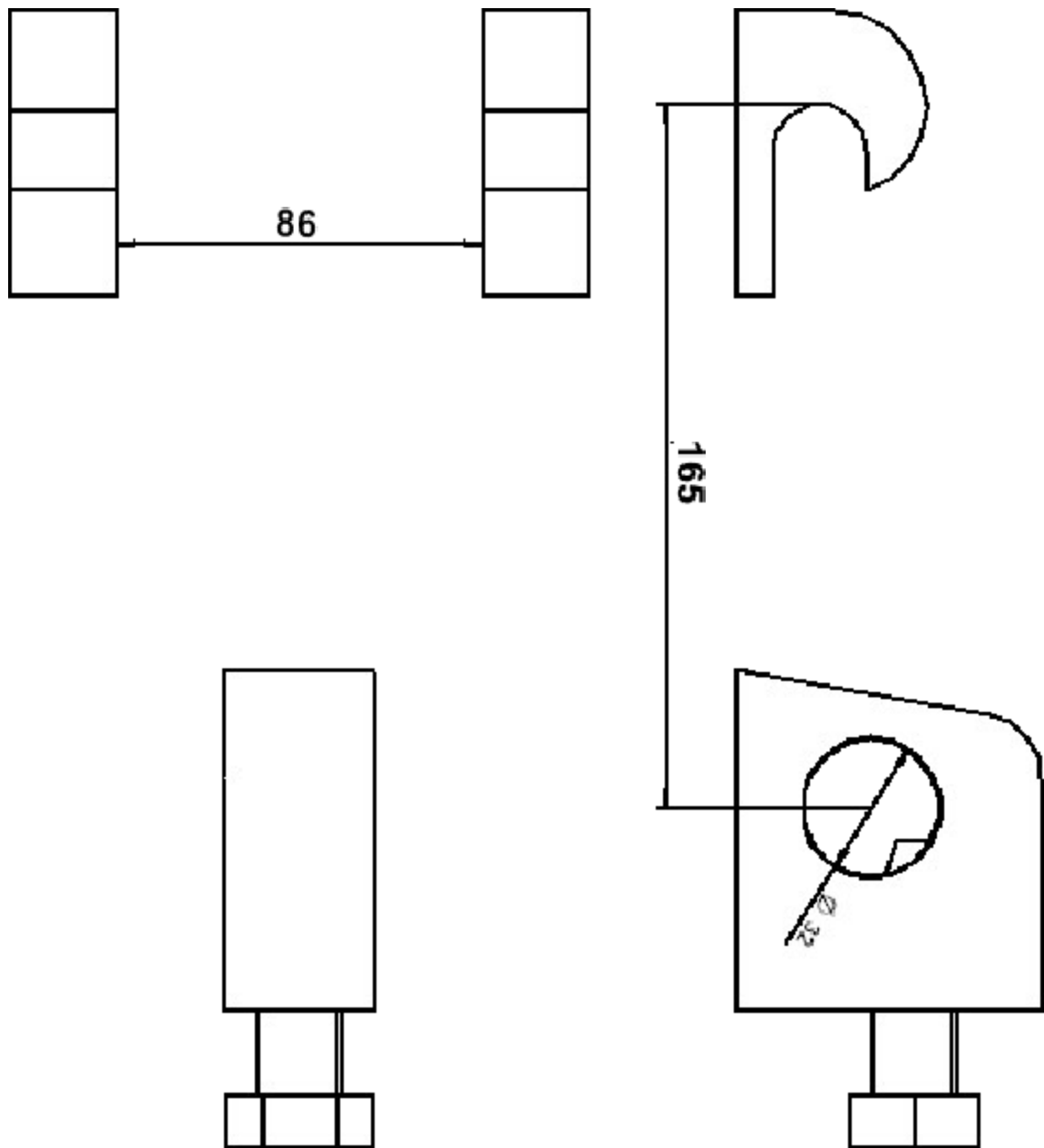
Tradename	Axle diameter (mm)	Width I (mm)	Lenght E (mm)	Price PLN
QHC-M-MH30/195	30	195	200	
QHC-M-S30/150	30	150	200	
QHC-M-S30/180	30	180	230	
QHC-M-MH40/250	40	250	250	
QHC-M-S40/200	40	200	300	
QHC-M-S40/240	40	240	300	
QHC-M-FL45/HYDREMA	45	300	330	
QHC-M-S45	45	290	430	
QHC-M-S50	50	270	430	

## Hydraulic Quick Hitch Connectors for Excavator



Tradename	Axle diameter (mm)	Width I (mm)	Lenght E (mm)	Price PLN
QHC-H-MH30/195	30	195	200	
QHC-H-S30/150	30	150	200	
QHC-H-S30/180	30	180	230	
QHC-H-MH40/250	40	250	250	
QHC-H-S40/200	40	200	300	
QHC-H-S40/240	40	240	300	
QHC-H-FL45/HYDREMA	45	300	330	
QHC-H-S45	45	290	430	
QHC-H-S50	50	270	430	
QHC-H-S60	60	340	480	
QHC-H-S70	70	450	600	
QHC-H-S80	80	590	670	
QHC-H-S90	90	750	750	
QHC-H-S100	100	750	900	

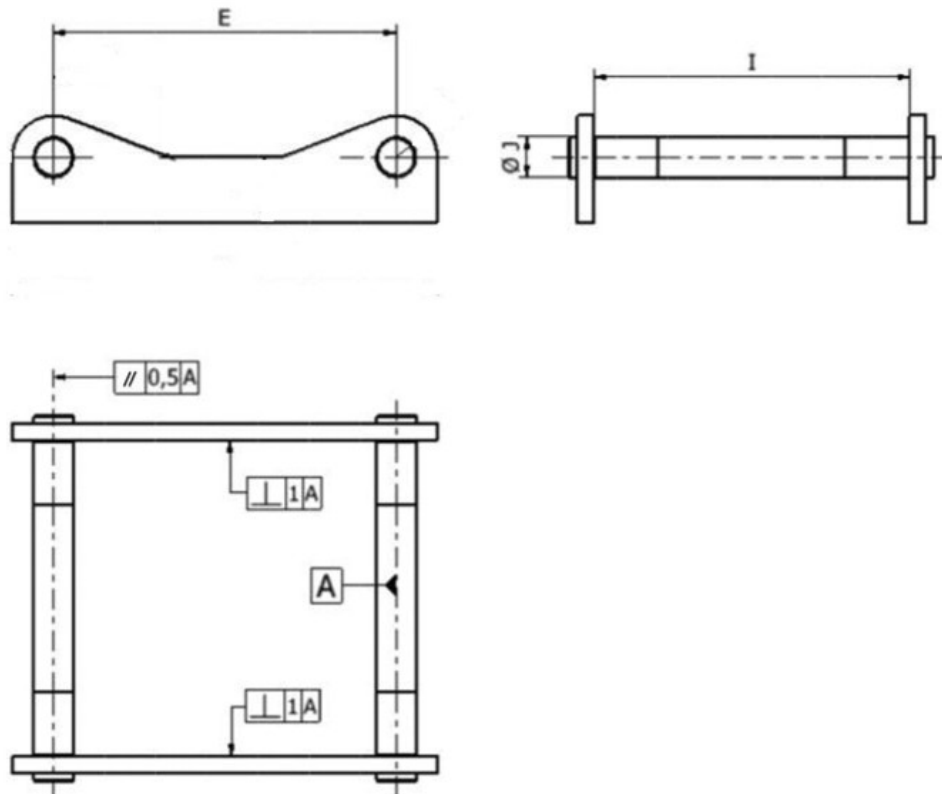
## MA Series Quick Couplers Brackets



Tradename	Axle diameter (mm)	Width (mm)	Lenght (mm)	Price PLN
QHB-MA	32	86	165	

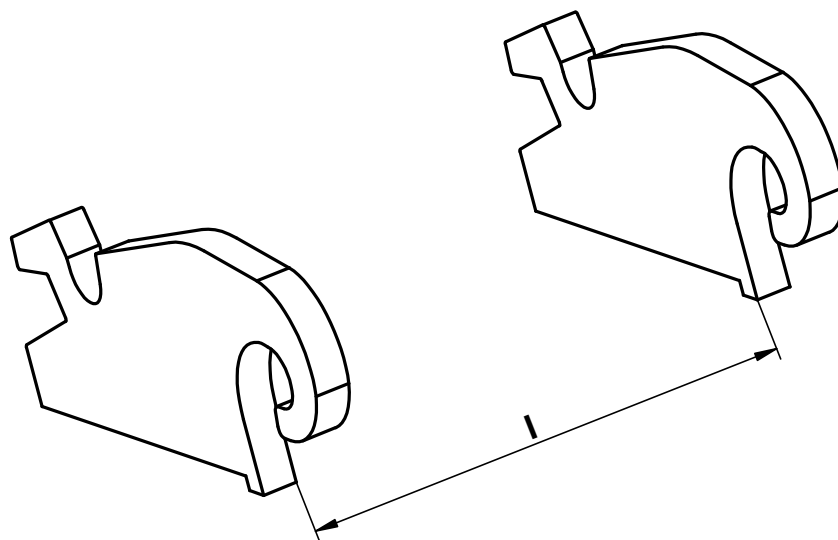
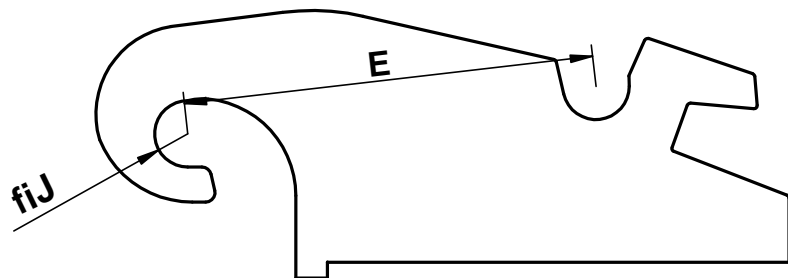
## Symmetrical Quick Couplers Brackets

Quick Coupler	Width I (mm)	Shaft E (mm)	Axle diameter J (mm)	Price PLN
QCB-MH30/195-b	195	200	30	
QCB-S30/150-b	152	200	30	
QCB-S30/180-b	182	230	30	
QCB-MH40/250-b	250	250	40	
QCB-S40/200-b	202	300	40	
QCB-S40/240-b	242	300	40	
QCB-S45	292	430	45	
QCB-FL45/Hydrema	300	330	45	
QCB-S50	272	430	50	
QCB-S60	342	480	60	
QCB-S70	452	600	70	
QCB-S80	592	670	80	
QCB-S90	752	750	90	
QCB-S100	752	900	100	

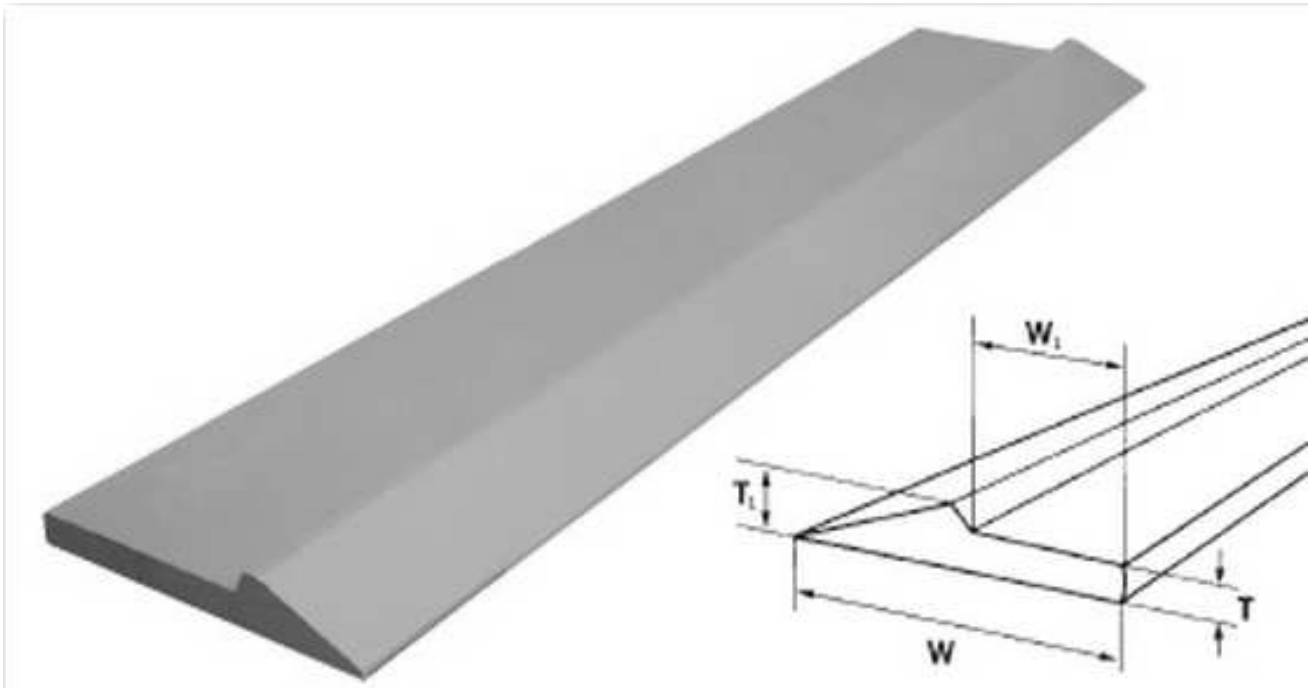


## CW Series Quick Couplers Brackets

Quick Coupler	Plate thickness (mm)	Width I (mm)	Shaft E (mm)	Axle diameter J (mm)	Price PLN
QCB-CW10	25	320	300	50	
QCB-CW10	30	320	300	50	
QCB-CW20	30	560	475	60	
QCB-CW20S	30	430	475	60	
QCB-CW30	35	560	475	60	
QCB-CW30S	35	430	475	60	
QCB-CW40	40	560	475	60	
QCB-CW40S	40	430	475	60	
QCB-CW40	50	560	475	60	
QCB-CW45	50	700	570	90	
QCB-CW45S	50	560	570	90	
QCB-CW55	60	840	650	105	
QCB-CW55S	60	570	650	105	
QCB-CW70	70	850	875	130	



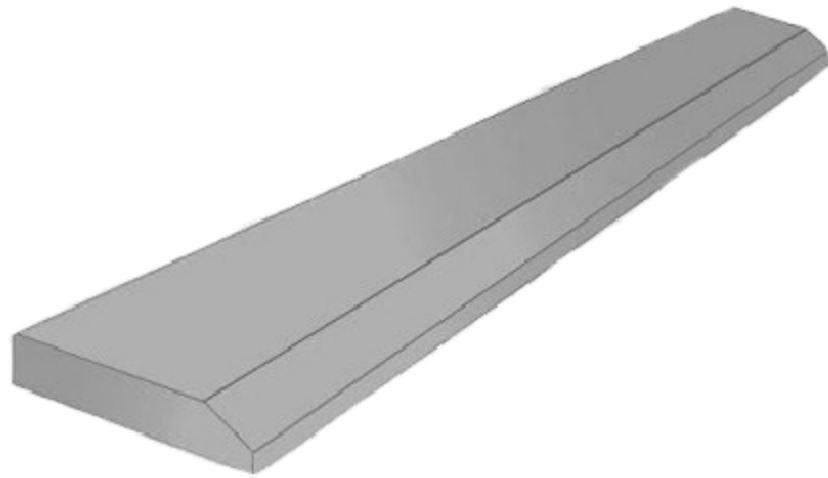
## HALF-ARROW HB500



Tradename W	T	W1	T1	Price for 1mb (welded to the bucket)	Price for 1mb (Spare part)
	(mm)	(mm)	(mm)	PLN	PLN
BU-LEM-HA-101x11	11	46	21		
BU-LEM-HA-151x16	16	68	32		
BU-LEM-HA-203x19	19	127	32		



## BLADES HB500















Tradename	Price for 1mb (spare parts)PLN
BU-LEM-12x110	
BU-LEM-16x150	
BU-LEM-20x150	
BU-LEM-20x200	
BU-LEM-25x200	
BU-LEM-30x250	
BU-LEM-30x300	
BU-LEM-35x300	
BU-LEM-40x300	







## CAT J-series Teeth

Picture	Type	Application	Pocket Size	Part No.	Price PLN
	Long	For use in most general applications. Good resistance and penetration.	2.0"	BU-ZAB-1U3202	
	Long	For use in most general applications. Good resistance and penetration.	2,5"	BU-ZAB-1U3252	
	Long	For use in most general applications. Good resistance and penetration.	3.0"	BU-ZAB-1U3302	
	Long	For use in most general applications. Good resistance and penetration.	3.5"	BU-ZAB-1U3352	
	Long	For use in most general applications. Good resistance and penetration.	4"	BU-ZAB-7T3402	
	Long	For use in most general applications. Good resistance and penetration.	4.5"	BU-ZAB-9W8452	
	Flare (wide)	Applications that require a clean floor/less spillage	2.0"	BU-ZAB-1099200	
	Flare (wide)	Applications that require a clean floor/less spillage	2,5"	BU-ZAB-3G8250	
	Flare (wide)	Applications that require a clean floor/less spillage	3.0"	BU-ZAB-4T1300	
	Flare (wide)	Applications that require a clean floor/less spillage	3.5"	BU-ZAB-8J3350	
	Flare (wide)	Applications that require a clean floor/less spillage	4"	BU-ZAB-7T3400	
	Flare (wide)	Applications that require a clean floor/less spillage	4.5"	BU-ZAB-8J1450	









## CAT J-series Pin and Retainer

Picture	Type	Pocket Size	Part No.	Price PLN
	Standard Pin	2.0"	BU-BLOK-8E6208	
	Standard Pin	2,5"	BU-BLOK-8E6258	
	Standard Pin	3.0"	BU-BLOK-1073308	
	Standard Pin	3.5"	BU-BLOK-1140358	
	Heavy Duty Pin	4"	BU-BLOK-1167408	
	Standard Pin	4.5"	BU-BLOK-6Y2527	
	Standard Retainer	2.0"	BU-BLOK-RETAINER-8E6209	
	Standard Retainer	2,5"	BU-BLOK-RETAINER-8E6259	
	Standard Retainer	3.0"	BU-BLOK-RETAINER-8E6259	
	Standard Retainer	3.5"	BU-BLOK-RETAINER-8E6359	
	Heavy Duty Retainer Assembly	4"	BU-BLOK-RETAINER-1167409	
	Standard Retainer	4.5"	BU-BLOK-RETAINER-8E6359	






## CAT J-series Adapters

Picture	Pocket Size	Part No.	Price PLN	
			welded to the bucket	spare parts
	2.0"	BU-ADAPTER-6Y3224		
	2,5"	BU-ADAPTER-6Y3254		
	3.0"	BU-ADAPTER-8E9490		
	3.5"	BU-ADAPTER-3G8354		
	4"	BU-ADAPTER-6I6404		
	4.5"	BU-ADAPTER-8E6464		

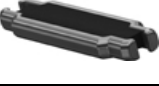
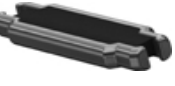
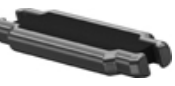
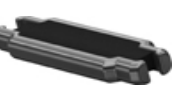

## Combi Parts Teeth

Picture	Type	Application	Part No.		Price PLN
	Long	Good penetration and excellent wear resistance from a traditional, chisel shaped tooth. Widely used for general excavation in tough conditions.	18129	BU-ZAB-T29 (MIDI) (18129)	
	Long	Good penetration and excellent wear resistance from a traditional, chisel shaped tooth. Widely used for general excavation in tough conditions.	11115	BU-ZAB-T5 (C1) (11115)	
	Long	Good penetration and excellent wear resistance from a traditional, chisel shaped tooth. Widely used for general excavation in tough conditions.	12115	BU-ZAB-T5 (C2) (12115)	
	Long	Good penetration and excellent wear resistance from a traditional, chisel shaped tooth. Widely used for general excavation in tough conditions.	13115	BU-ZAB-T5 (C3) (13115)	
	Long	Good penetration and excellent wear resistance from a traditional, chisel shaped tooth. Widely used for general excavation in tough conditions.	14115	BU-ZAB-T5 (C4) (14115)	
	Flare (wide)	Converts a bucket with teeth into a straight-edged cleaning bucket. Ideal for backfilling and cleaning.	11116	BU-ZAB-T6 (C1) (11116)	
	Flare (wide)	Converts a bucket with teeth into a straight-edged cleaning bucket. Ideal for backfilling and cleaning.	12126	BU-ZAB-T6 (C2) (12126)	
	Flare (wide)	Converts a bucket with teeth into a straight-edged cleaning bucket. Ideal for backfilling and cleaning.	13126	BU-ZAB-T6 (C3) (13126)	







## Combi Parts Adapters

Picture	Pocket Size	Part No.	Price PLN	
			welded to the bucket	spare parts
	18015	BU-ADAPTER-MIDI-A8EB (18015)		
	11002	BU-ADAPTER-A8E (C1) (11002)		
	12008	BU-ADAPTER-A8E (C2) (12008)		
	13008	BU-ADAPTER-A8E (C3) (13008)		
	14008	BU-ADAPTER-A8E (C4) (14008)		





## Combi Parts C-LOCK

Picture	Part no.		Price PLN
	18306	BU-C-LOCK (Midi) (18306)	
	11306	BU-C-LOCK (C1) (11306)	
	12306	BU-C-LOCK (C2) (12306)	
	13306	BU-C-LOCK (C3) (13306)	
	14306	BU-C-LOCK (C4) (14306)	








## Combi Parts Teeth C-REX

Picture	Type	Application	Part No.		Price PLN
	Long	Standard tooth with slim design for optimal penetration and durability in general purpose applications.	R10GPE	BU-ZAB-GPE (R10) R10GPE	
	Long	Standard tooth with slim design for optimal penetration and durability in general purpose applications.	R14GPE	BU-ZAB-GPE (R14) R14GPE	
	Long	Standard tooth with slim design for optimal penetration and durability in general purpose applications.	R18GPE	BU-ZAB-GPE (R18) R18GPE	
	Long	Standard tooth with slim design for optimal penetration and durability in general purpose applications.	R23GPE	BU-ZAB-GPE (R23) R23GPE	
	Flare (wide)	An extra-wide tooth for excavating and cleaning – penetration and straight edge performance from a single solution.	R18FE	BU-ZAB-FE (R18) R18FE	
	Flare (wide)	An extra-wide tooth for excavating and cleaning – penetration and straight edge performance from a single solution.	R23FE	BU-ZAB-FE (R23) R23FE	

## Combi Parts Locking Pin

Picture	Part no.		Price PLN
	R10LP	BU-LP (R10) R10LP	
	R14LP	BU-LP (R14) R14LP	
	R18LP	BU-LP (R18) R18LP	
	R23LP	BU-LP (R23) R23LP	

## Combi Parts Adapters C-REX

Picture	Pocket Size	Part No.	Price PLN	
			welded to the bucket	spare parts
	R10BE25	BU-ADAPTER-MIDI-BE (R10) R10BE25		
	R14BE30	BU-ADAPTER-BE (R14) R14BE30		
	R14BE40	BU-ADAPTER-BE (R14) R14BE40		
	R18BE40	BU-ADAPTER-BE (R18) R18BE40		
	R18BE45	BU-ADAPTER-BE (R18) R18BE45		
	R23BE40	BU-ADAPTER-BE (R23) R23BE40		
	R23BE50	BU-ADAPTER-BE (R23) R23BE50		





**GRAXX**

Glinkowski Sp. z o.o.  
Sikorzyn 21, 63-800 Gosty  
tel./fax +48 65 572 70 24  
tel./fax +48 65 572 70 25  
office@graxx.eu  
www.graxx.eu

GLINKOWSKI GROUP



---

GLINKOWSKI

www.glinkowski.pl